



Chipsmall Limited consists of a professional team with an average of over 10 year of expertise in the distribution of electronic components. Based in Hongkong, we have already established firm and mutual-benefit business relationships with customers from,Europe,America and south Asia,supplying obsolete and hard-to-find components to meet their specific needs.

With the principle of “Quality Parts,Customers Priority,Honest Operation,and Considerate Service”,our business mainly focus on the distribution of electronic components. Line cards we deal with include Microchip,ALPS,ROHM,Xilinx,Pulse,ON,Everlight and Freescale. Main products comprise IC,Modules,Potentiometer,IC Socket,Relay,Connector.Our parts cover such applications as commercial,industrial, and automotives areas.

We are looking forward to setting up business relationship with you and hope to provide you with the best service and solution. Let us make a better world for our industry!



## Contact us

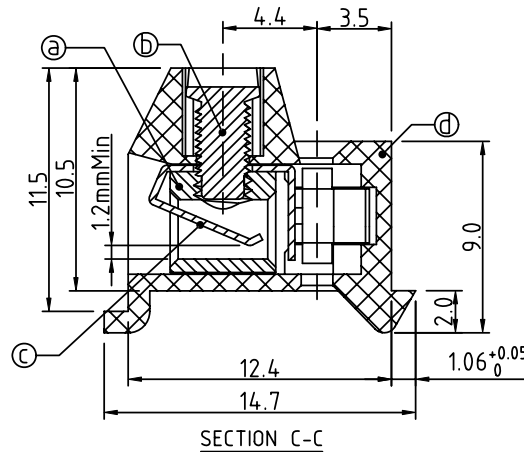
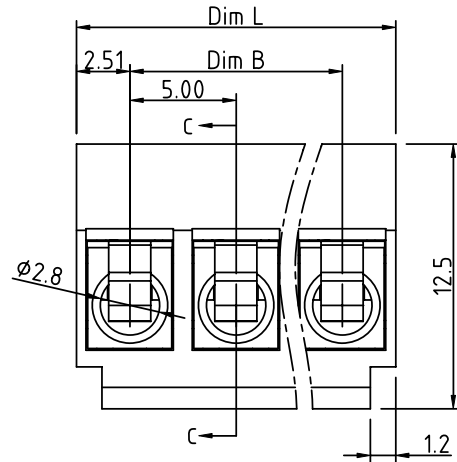
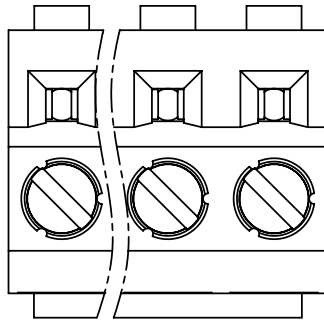
Tel: +86-755-8981 8866 Fax: +86-755-8427 6832

Email & Skype: info@chipsmall.com Web: www.chipsmall.com

Address: A1208, Overseas Decoration Building, #122 Zhenhua RD., Futian, Shenzhen, China



PRODUCT NUMBER	PITCH
TYxx01x000J0G	5.00 mm



Material

- (a) Terminal body (metal housing): Brass (Cu Zn)Ni plated
- (b) Terminal screw: Steel Zinc plating "-" slot type
- (c) Wire guard: PhBz, tin plated
- (d) Terminal (housing): Thermoplastic (UL94V-0)

Electrical cULus TUV

- Voltage rating: 300VAC /300VAC
- Current rating: 10A /10A
- Wire range: 0.2-2.5mm<sup>2</sup>
- Solid wire(AWG): 14-26/14-26
- Stranded wire(AWG): 14-26/14-26
- Torque: 3.5Lb-In /0.4Nm
- Screw: M2.6
- Wire strip length: 6-7mm
- Withstanding Voltage: 1.6KV/2.5KV
- Operating temperature: -40°C to +115°C
- Safety Approval:

PART NO.: TY xx 01 x 0 00J0 G

N=Number of poles  
Dim L=Nx5.0  
Dim B=(N-1)x5.0

poles	Tolerance
2-6p	±0.15
7-12p	±0.20
13-18p	±0.25
19-24p	±0.30

Solid block	No. of poles	Color	RoHS compliant (lead<4%) In copper Alloy
0	2	Black (RAL9005)	
02	2 poles	Red (RAL3001/D)	
03	3 poles	Orange(RAL2011/P)	
...	...	4 Yellow(RAL1018/A)	
...	...	5 Green(RAL6018/T)	
24	24 poles	6 Blue (RAL5015/A)	
		8 Grey(RAL7035/D)	
		9 White(RAL1102)	
		C Green(RAL6018/U)	

mat'l. code				surface ASME Y14.5 ✓	tolerance ASME Y14.5	projection 	product family TERMINAL BLOCK
ltr	ecn	no	dr	tolerances unless otherwise specified		MM	title TERMINAL BLOCK PLUGGABLE,180D WIRE INLET,SOLID BLOCK
				angles $\frac{a}{b}$	X.±0.5		
				±	X.X±0.3	scale	dwg no TYxx01x000J0G
				X*±1*	X.XX±0.1		
				dr	EVIN ZHONG 041614		type CUSTOMER Drawing
				enr	EVIN ZHONG 041614		
				chr	HANKE FENG 041614		
				appd	SHI JUN 041614		
sheet index	revision	A					
	sheet	1					