



Chipsmall Limited consists of a professional team with an average of over 10 year of expertise in the distribution of electronic components. Based in Hongkong, we have already established firm and mutual-benefit business relationships with customers from,Europe,America and south Asia,supplying obsolete and hard-to-find components to meet their specific needs.

With the principle of "Quality Parts,Customers Priority,Honest Operation,and Considerate Service",our business mainly focus on the distribution of electronic components. Line cards we deal with include Microchip,ALPS,ROHM,Xilinx,Pulse,ON,Everlight and Freescale. Main products comprise IC,Modules,Potentiometer,IC Socket,Relay,Connector.Our parts cover such applications as commercial,industrial, and automotives areas.

We are looking forward to setting up business relationship with you and hope to provide you with the best service and solution. Let us make a better world for our industry!



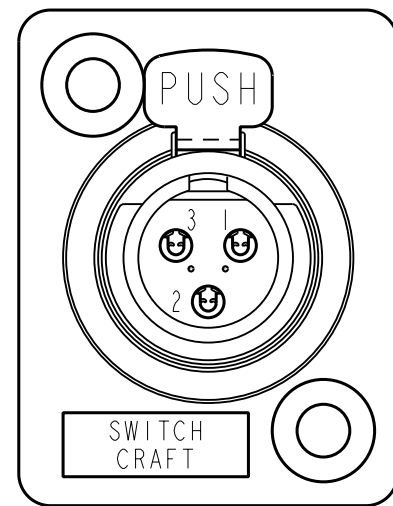
## Contact us

Tel: +86-755-8981 8866 Fax: +86-755-8427 6832

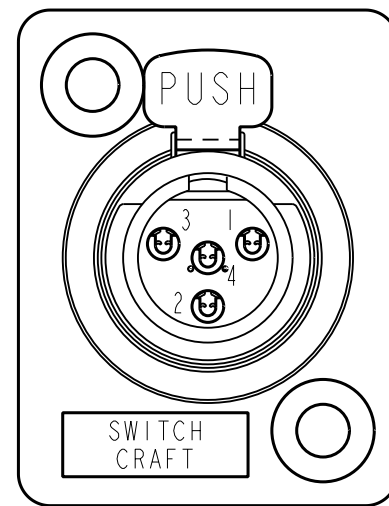
Email & Skype: info@chipsmall.com Web: www.chipsmall.com

Address: A1208, Overseas Decoration Building, #122 Zhenhua RD., Futian, Shenzhen, China

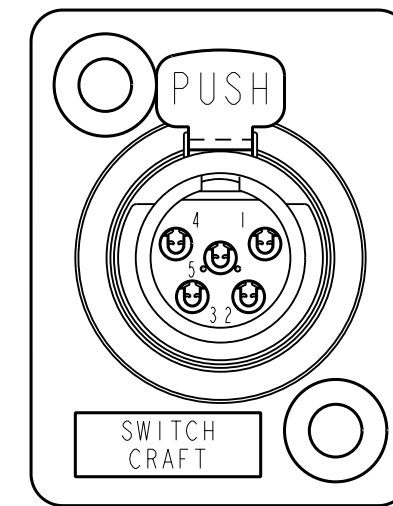




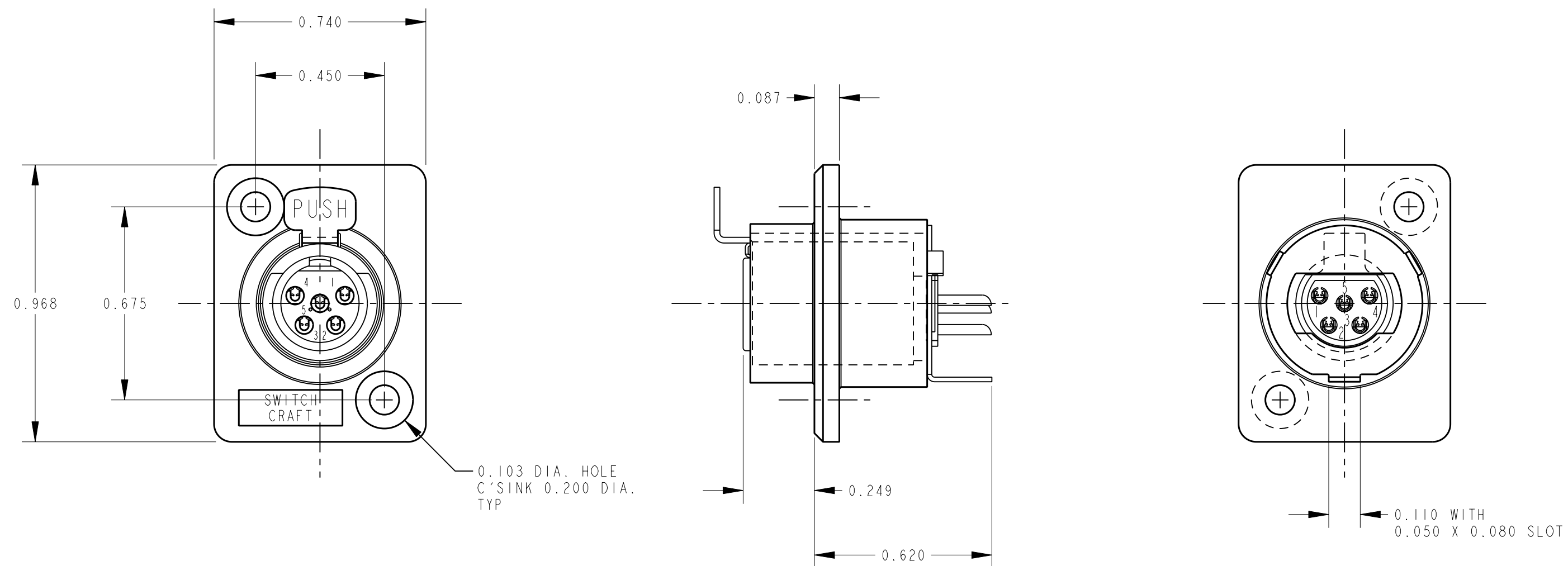
3 PIN



4 PIN



5 PIN



**MATERIALS:**

- LOCK RING - BRASS, ELECTRO TIN PLATED
- PANEL HOUSING - ZINC, NICKEL PLATED
- INSULATORS - PPS
- HOUSING - BRASS, NICKEL PLATED
- LATCH - BERYLLIUM COPPER, NICKEL PLATED
- RELEASE LEVER - STEEL, NICKEL PLATED
- LEVER SPRING - STEEL, COPPER PLATED
- CONTACTS - BERYLLIUM COPPER, SILVER PLATED

**NOTE:**

1. ALL DIMENSIONS FOR REFERENCE PURPOSES ONLY UNLESS OTHERWISE SPECIFIED.

CUSTOMER DRAWING

CAD/CAM DWG. NO.  
TY\_F\_CD  
SHEET 1 OF 1

				★ STAR SYMBOL DENOTES CRITICAL DIMENSION. SEE S/C ENGINEERING STANDARD ES-0001		THIS DRAWING DESCRIBES A DESIGN CONSIDERED PROPRIETARY IN NATURE, DEVELOPED AND MANUFACTURED BY SWITCHCRAFT INC. AND IS RELEASED ON A CONFIDENTIAL BASIS FOR IDENTIFICATION PURPOSE ONLY.					
				UNLESS OTHERWISE SPECIFIED		SIZE	WIDTH	MULT	LBS./M	TEMPER	
E	ECO #20090	7-3-97	OM	JJ	1. ALL DIMENSIONS IN INCHES TWO PLACE DECIMAL ±.01 THREE PLACE DECIMAL ±.005 FRACTIONAL DIMENSIONS ±1/64 ANGLES ±1/2° ALL DIA'S CONCENTRIC WITHIN .005 T.I.R. 2. REMOVE ALL BURRS 3. MAKE NO DIMENSIONAL ALLOWANCES FOR APPLIED FINISHES, I.E., PLATING, PAINTING, ETC. 4. HOLES ON THE SAME CENTERLINE MUST BE ALIGNED WITHIN ±.002	FINISH		MATERIAL			
D	ECO #20089	7-3-97	OM	JJ		SPEC. NO.		SPEC. NO.			
C	ECO #20088	7-3-97	OM	JJ		FIRST USED ON		SCALE 1 = 0.375			
B	ECO #19805	7-14-95	RC	GHJ		DATE DRAWN	BY	CHK'D	APP'D		
A	FIRST DRAWN ECO #18467	3-30-95	SG	GHJ	3-30-95	SG	SG 5-1-95	GHJ 5-1-95			
ISSUE	CHANGE NO.	DATE	BY	APP'D	NAME				PART NO.	ISSUE	
REVISIONS					DO NOT SCALE DRAWING					Switchcraft®	E
					TINI QG SERIES					TY*F	

