



Chipsmall Limited consists of a professional team with an average of over 10 year of expertise in the distribution of electronic components. Based in Hongkong, we have already established firm and mutual-benefit business relationships with customers from,Europe,America and south Asia,supplying obsolete and hard-to-find components to meet their specific needs.

With the principle of “Quality Parts,Customers Priority,Honest Operation,and Considerate Service”,our business mainly focus on the distribution of electronic components. Line cards we deal with include Microchip,ALPS,ROHM,Xilinx,Pulse,ON,Everlight and Freescale. Main products comprise IC,Modules,Potentiometer,IC Socket,Relay,Connector.Our parts cover such applications as commercial,industrial, and automotives areas.

We are looking forward to setting up business relationship with you and hope to provide you with the best service and solution. Let us make a better world for our industry!



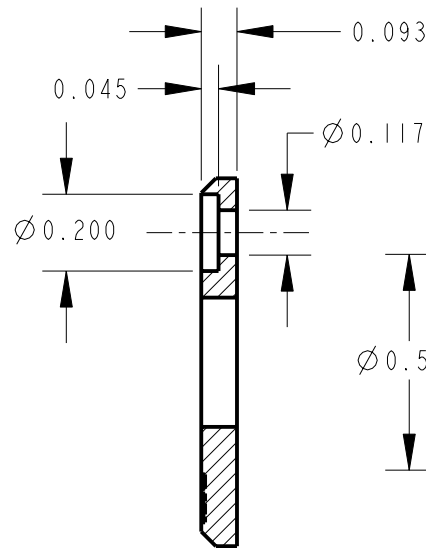
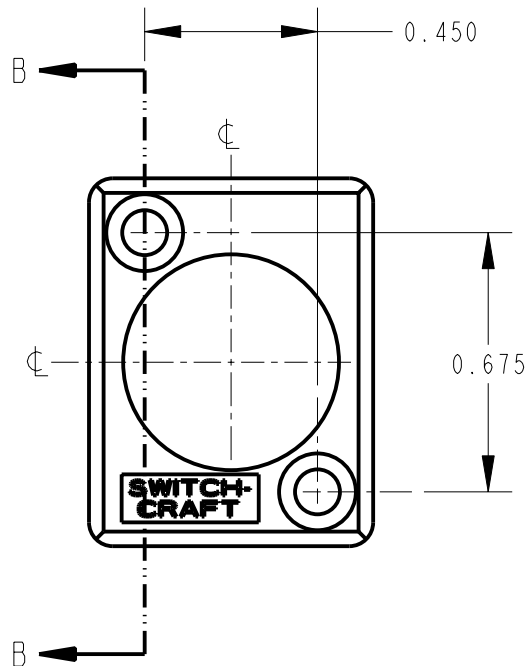
Contact us

Tel: +86-755-8981 8866 Fax: +86-755-8427 6832

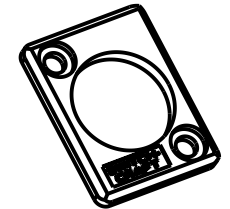
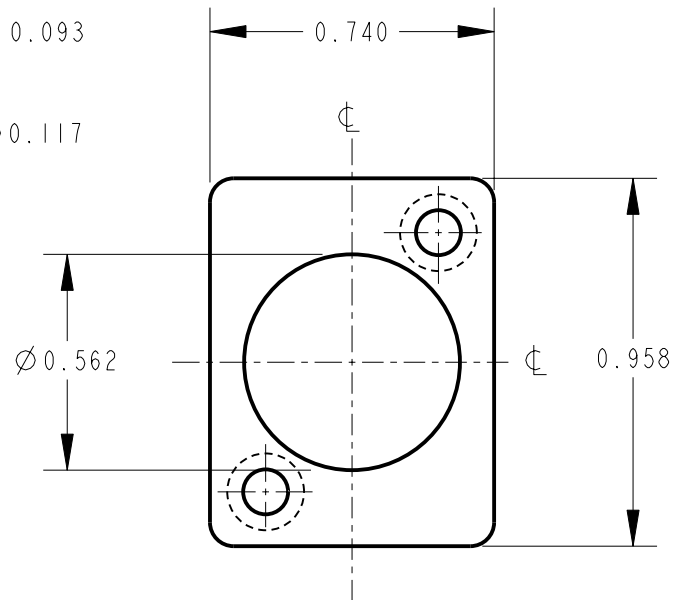
Email & Skype: info@chipsmall.com Web: www.chipsmall.com

Address: A1208, Overseas Decoration Building, #122 Zhenhua RD., Futian, Shenzhen, China





SECTION B-B



SCALE 1:1

PART NUMBER	PART REV.	COLOR	ESCUTCHEON
TYEF01	A	RED	417E1112E
TYEF02	B	BLACK	417E1110A
TYEF03	A	GREEN	417E1115C
TYEF04	A	BLUE	417E1116G
TYEF05	A	WHITE	417E1119B
TYEF08	INACTIVE	YELLOW	417E1114B
TYEF11	INACTIVE	GRAY	417E1118G

ALL DIMENSIONS ARE REFERENCE

★ STAR SYMBOL DENOTES CRITICAL DIMENSION

THIS DRAWING DESCRIBES A DESIGN CONSIDERED PROPRIETARY IN NATURE, DEVELOPED AND MANUFACTURED BY SWITCHCRAFT INC. AND IS RELEASED ON A CONFIDENTIAL BASIS FOR IDENTIFICATION PURPOSES ONLY.

UNLESS OTHERWISE SPECIFIED

SIZE WIDTH MULT LBS/M TEMPER

- ALL DIMENSIONS IN INCHES
- TWO PLACE DECIMALS ± 0.01
- THREE PLACE DECIMALS ± 0.005
- ANGLES $\pm 1^\circ$
- ALL DIA. CONCENTRIC WITHIN 0.005 T.I.R.

FINISH SEE TABLE MATERIAL SPEC No.

REV	ECO NUMBER	DATE	BY	APVD
D	22588	12-10-98	JL	EB
C	22579	12-9-98	JL	EB
B	20900	7-15-96	RC	JF
A	16198	9-4-90	CS	CS

- FEATURES ON THE SAME CENTERLINE MUST BE ALIGNED WITHIN ± 0.002

FIRST USED ON TY*F SCALE 2:1

Switchcraft[®]

DATE DRAWN	BY	CHKD	APVD
6-3-80	IG	JS 6-19-80	EB 12-10-98

SHEET | OF |

DO NOT SCALE DRAWING

NAME ESCUTCHEON PLASTIC PART No. TYEF** REV D

REVISIONS

