



Chipsmall Limited consists of a professional team with an average of over 10 year of expertise in the distribution of electronic components. Based in Hongkong, we have already established firm and mutual-benefit business relationships with customers from,Europe,America and south Asia,supplying obsolete and hard-to-find components to meet their specific needs.

With the principle of “Quality Parts,Customers Priority,Honest Operation,and Considerate Service”,our business mainly focus on the distribution of electronic components. Line cards we deal with include Microchip,ALPS,ROHM,Xilinx,Pulse,ON,Everlight and Freescale. Main products comprise IC,Modules,Potentiometer,IC Socket,Relay,Connector.Our parts cover such applications as commercial,industrial, and automotives areas.

We are looking forward to setting up business relationship with you and hope to provide you with the best service and solution. Let us make a better world for our industry!



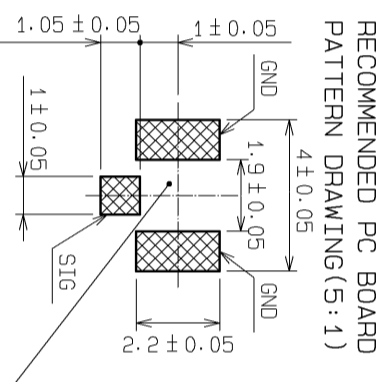
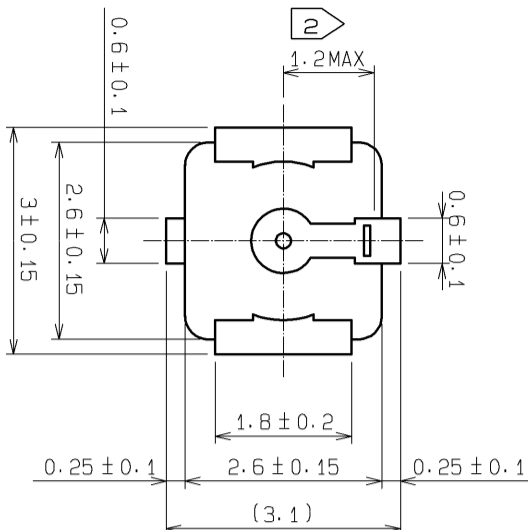
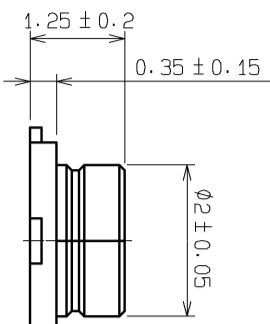
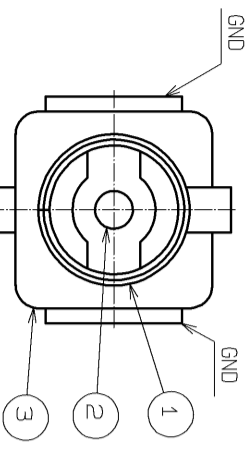
Contact us

Tel: +86-755-8981 8866 Fax: +86-755-8427 6832

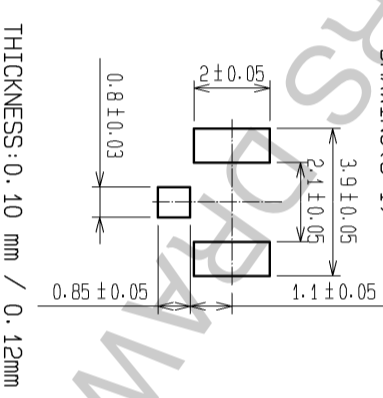
Email & Skype: info@chipsmall.com Web: www.chipsmall.com

Address: A1208, Overseas Decoration Building, #122 Zhenhua RD., Futian, Shenzhen, China

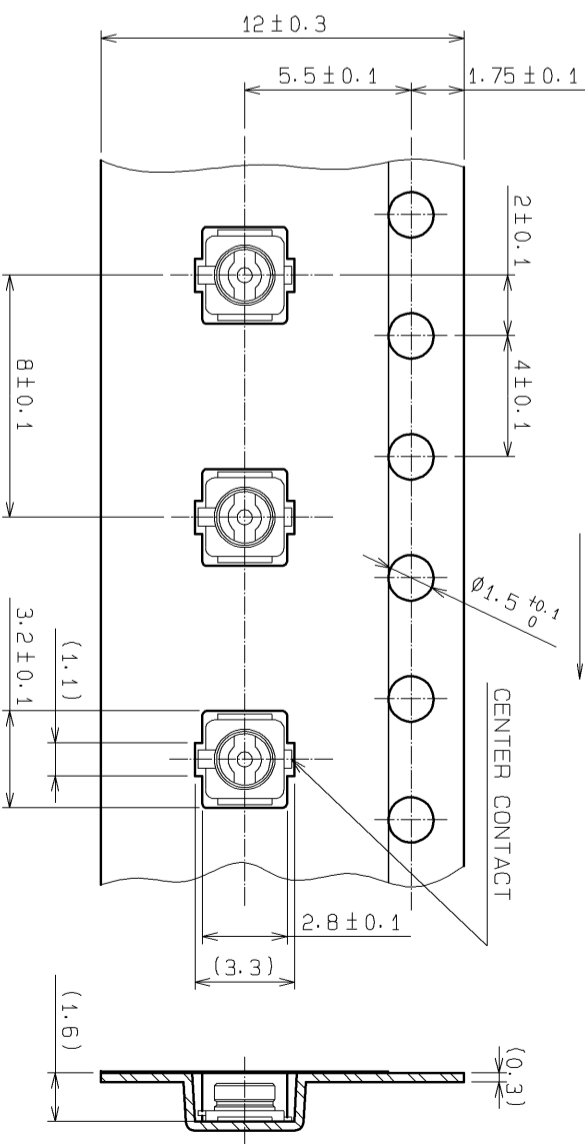




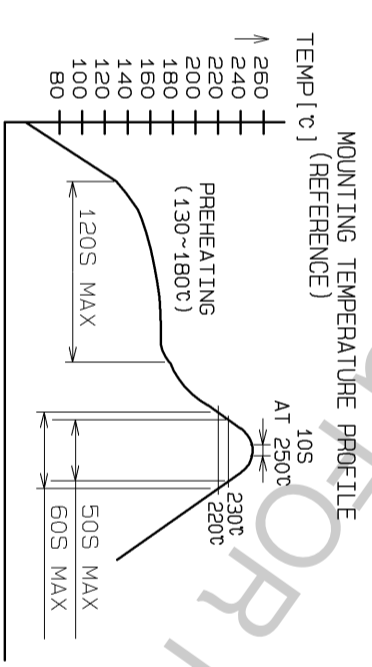
RECOMMENDED METAL MASK
 DRAWING(5:1)



THICKNESS: 0.10 mm / 0.12mm

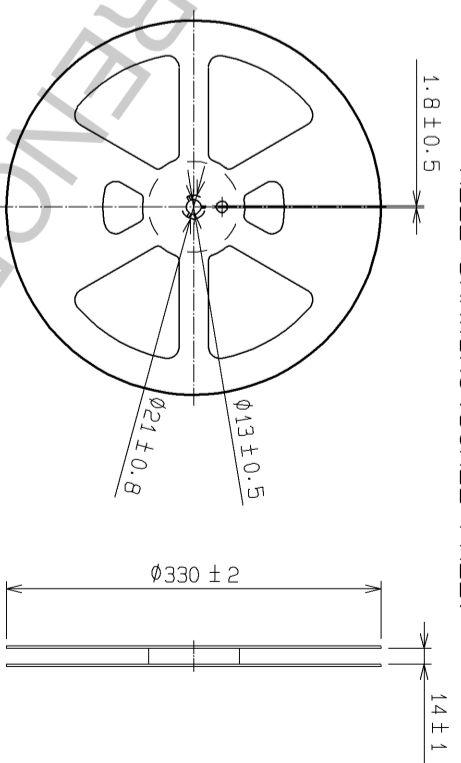


EMBOSSED TAPING DRAWING(4:1)
 DIRECTION OF UNREELING



MOUNTING TEMPERATURE PROFILE
 (REFERENCE)

NOTE
 MOUNTING TEMPERATURE PROFILE VARIES ACCORDING
 TO BOARD SIZE, SOLDER TYPE APPLIED AND SOLDER
 THICKNESS.
 *METAL MASK THICKNESS: 0.10 mm / 0.12mm
 *Up to 2 cycles of Reflow.



REEL DRAWING(SCALE FREE)

MATERIAL: PS (BLACK)

NOTES:

- 1: THE QUANTITY OF U.FL-R-SMT-1(40) IS 4000 CONNECTORS PER REEL.
- 2: THIS DIMENSION SHOWS THE ALLOWABLE RANGE THAT THE RESIN IS PUT OVER THE CENTER CONTACT.
- 3: LEAD CO-PLANARITY SHALL BE 0.1MAX.
- 4: FOR THE POSSIBILITY OF BREAKAGE OR DEFORMATION, DO NOT MATE THIS CONNECTOR WITH PARTNER, U.FL-LP-*** BEFORE MOUNTING ON PC BOARD.

5: USE ALL PRODUCTS WITHIN 6 MONTHS AFTER THE DELIVERY. STORE THEM IN MANUFACTURER'S PACKAGE OR TIGHTLY RE-CLOSED BOX WITH THE FOLLOWING CONDITIONS. CHECK THE TERMINAL SOLDERABILITY BEFORE USE IF THE PRODUCT HAS BEEN STORED FOR MORE THAN 6 MONTHS.
 TEMPERATURE: -10°C TO +40°C
 HUMIDITY : 15 TO 85% RH.

6: ENVIRONMENTAL CONDITIONS
 DO NOT USE THE PRODUCTS UNDER THE ENVIRONMENTAL CONDITIONS AS SHOWN BELOW DUE TO POSSIBLE PRODUCT DETERIORATION.
 SPECIAL GAS ATMOSPHERE (HYDROGEN SULFIDE GAS, SULFUR SULFIDE GAS AND HYDROGEN CHLORIDE GAS)
 PLACE ATTENTION REQUIRED: HEATING SYSTEM, AREA NEAR HOT SPRING, VOLCANIC MOUNTAIN AND ALIKE.
 WATER SPLACHED AND CONDENSATION PLACES.
 PLACE ATTENTION REQUIRED: HARSH TEMPERATURE CHANGE.

4000 PCS/PLASTIC REEL
 (BEIGE) . UL94V-0

2	BRASS	GOLD PLATING	3	LCP	MATERIAL	FINISH . REMARKS
1	PHOSPHOR BRONZE	SILVER PLATING				
UNITS		SCALE		COUNT		DIS-D-001378
mm		10: 1		2		
MATERIAL		FINISH . REMARKS		NO.		DESCRIPTION OF REVISIONS
HIROSE ELECTRIC CO., LTD.		I.J. MITANI		06.11.17		Y1. FUNADA
DESIGNED . NK. NINOMIYA		I.J. MITANI		06.11.17		DESIGNED
DRAWN . NK. NINOMIYA		I.J. MITANI		06.11.17		CHECKED
		I.J. MITANI		06.11.17		DATE
		I.J. MITANI		06.11.17		PART NO.
		I.J. MITANI		06.11.17		U.FL-R-SMT-1(40)
		I.J. MITANI		06.11.17		CL331-0472-2-40
		I.J. MITANI		06.11.17		1