



Chipsmall Limited consists of a professional team with an average of over 10 year of expertise in the distribution of electronic components. Based in Hongkong, we have already established firm and mutual-benefit business relationships with customers from,Europe,America and south Asia,supplying obsolete and hard-to-find components to meet their specific needs.

With the principle of “Quality Parts,Customers Priority,Honest Operation,and Considerate Service”,our business mainly focus on the distribution of electronic components. Line cards we deal with include Microchip,ALPS,ROHM,Xilinx,Pulse,ON,Everlight and Freescale. Main products comprise IC,Modules,Potentiometer,IC Socket,Relay,Connector.Our parts cover such applications as commercial,industrial, and automotives areas.

We are looking forward to setting up business relationship with you and hope to provide you with the best service and solution. Let us make a better world for our industry!



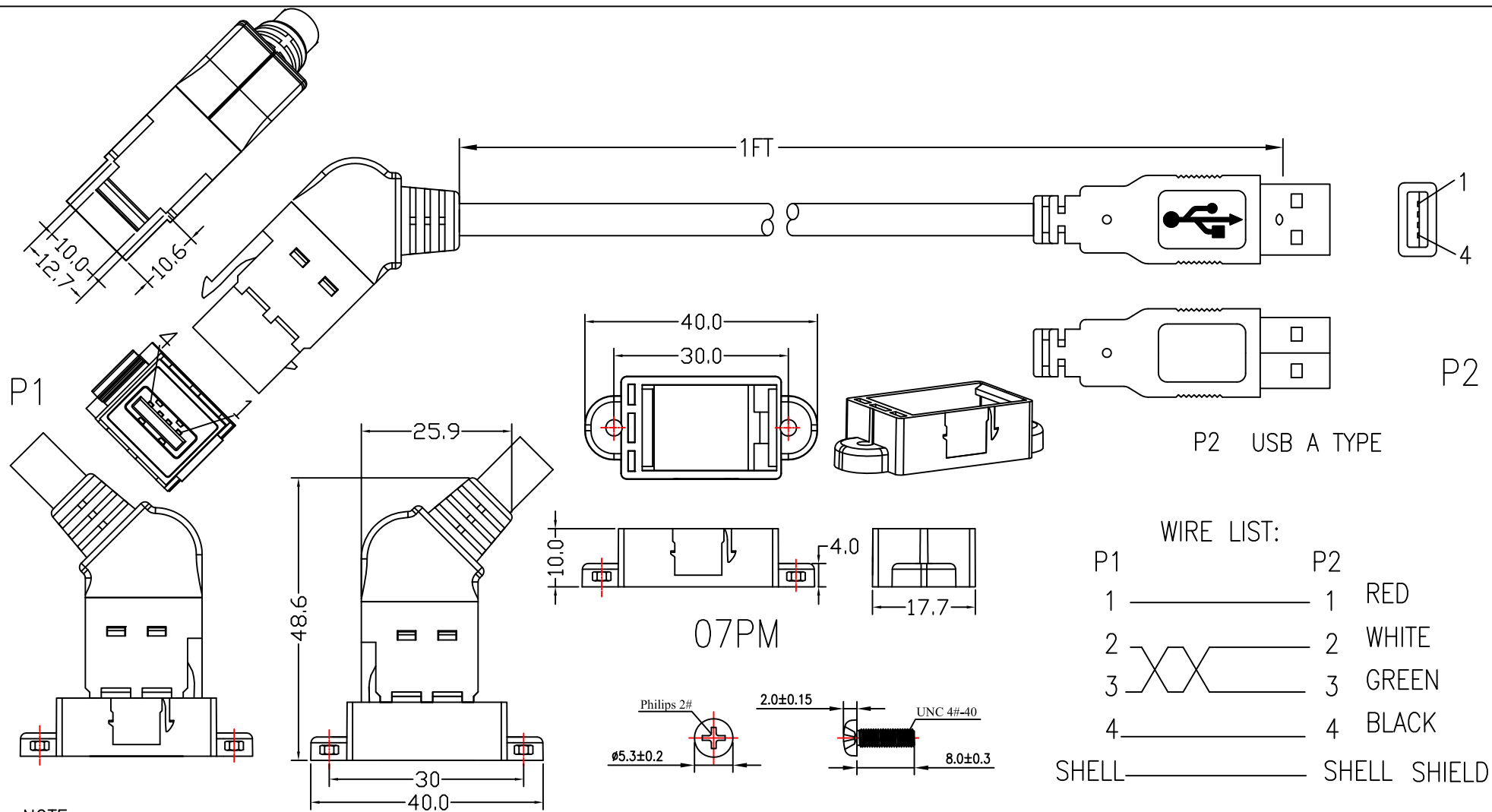
## Contact us

Tel: +86-755-8981 8866 Fax: +86-755-8427 6832

Email & Skype: info@chipsmall.com Web: www.chipsmall.com

Address: A1208, Overseas Decoration Building, #122 Zhenhua RD., Futian, Shenzhen, China





NOTE:

1. UL2725 USB 2.0 REV CABLE.(28AWG\*1PAIR+24AWG\*2C),AL-FOIL AND BRAID SHIELDED (A-MALLOY) WITH A DRAIN WIRE(BARE COPPER),PVC JACKET BLACK OD:4.5±0.15mm.2. CONNECTOR: P1:USB A TYPE FMALE, SOLDED TYPE,WHITE PBT INSULATIPON, GOLD PLATED CONTACTS,NICKEL PLATED SHELL. P2:USB A TYPE MALE, SOLDED TYPE,WHITE PBT INSULATIPON, GOLD PLATED CONTACTS,NICKEL PLATED SHELL.
3. HOOD:P1:07PS/PM MOUDLE: BLACK PC+ABS.
4. TEST: 100% ELECTRICAL TESTING.
5. PCKing: USB 2.0 adapter Cable+07PM adapter+2PCS 4-40 SCREWS



REV	DESCRIPTION OF CHANGE	DATE
B	CHANGE SIZE	03/30/16
A	INITIAL RELEASE	02/23/16
REV	DESCRIPTION OF CHANGE	DATE

TOLERANCE	INCHES	M/M	TRIPP-LITE			
.X	.015	.30	SCALE	NONE	REV	B
.XX	.010	.10	UNIT	MM		
.XXX	.005	.05	SHEET	1/1	DWG NO.	
DRAWN BY			DATE	03/30/16		
CHECK BY			TITLE			
APPD BY			PART NO.			

CAI

USB 2.0 M/F MODULE

U024-001-KPA-BK