



Chipsmall Limited consists of a professional team with an average of over 10 year of expertise in the distribution of electronic components. Based in Hongkong, we have already established firm and mutual-benefit business relationships with customers from,Europe,America and south Asia,supplying obsolete and hard-to-find components to meet their specific needs.

With the principle of “Quality Parts,Customers Priority,Honest Operation,and Considerate Service”,our business mainly focus on the distribution of electronic components. Line cards we deal with include Microchip,ALPS,ROHM,Xilinx,Pulse,ON,Everlight and Freescale. Main products comprise IC,Modules,Potentiometer,IC Socket,Relay,Connector.Our parts cover such applications as commercial,industrial, and automotives areas.

We are looking forward to setting up business relationship with you and hope to provide you with the best service and solution. Let us make a better world for our industry!



Contact us

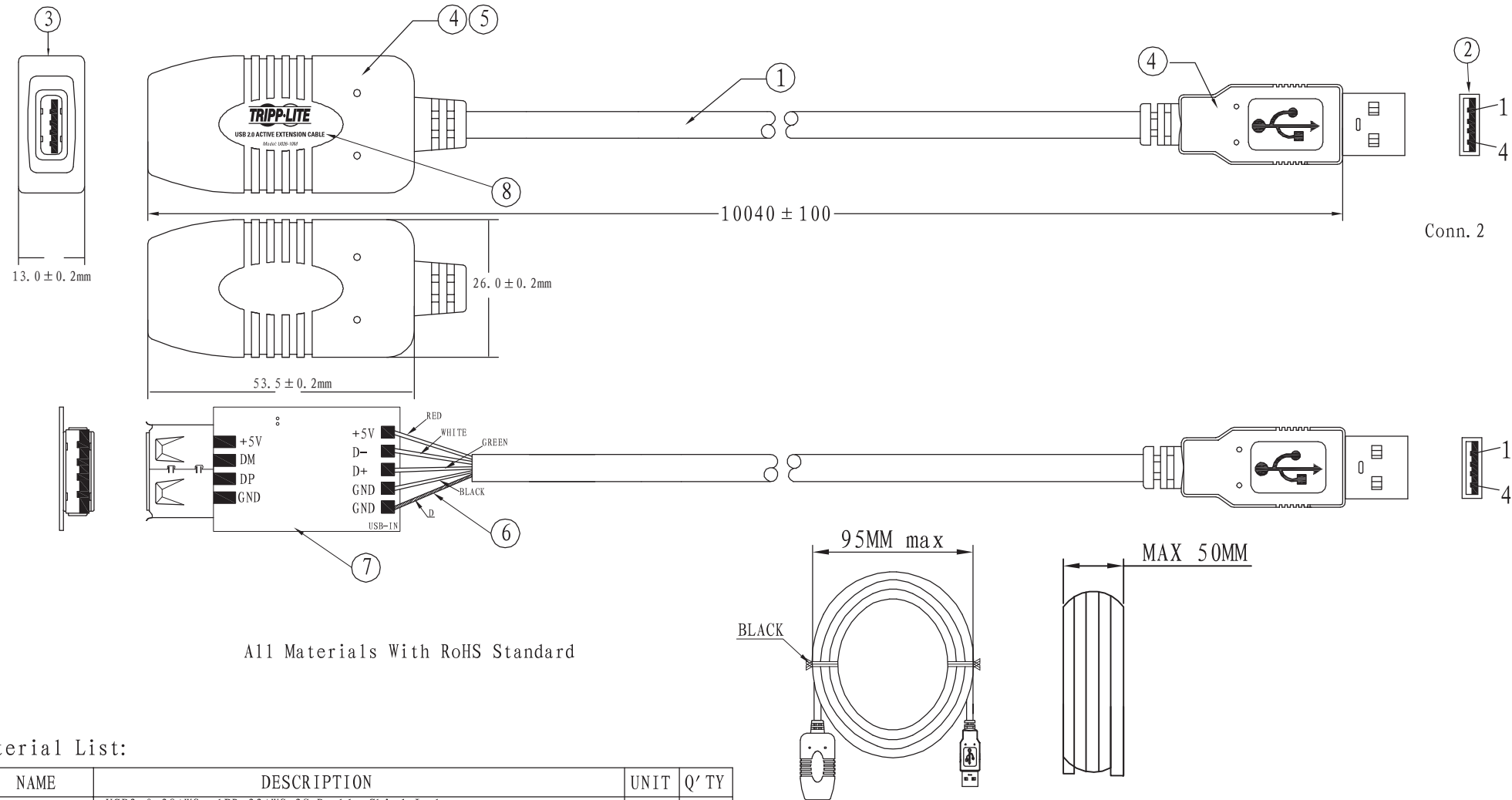
Tel: +86-755-8981 8866 Fax: +86-755-8427 6832

Email & Skype: info@chipsmall.com Web: www.chipsmall.com

Address: A1208, Overseas Decoration Building, #122 Zhenhua RD., Futian, Shenzhen, China



USB AM T/N:	A-002-004	REV	DATE	CHANGE BEFORE	CHANGES	DRAW
T/N:	Inner mould: A-022-004-A Outer mould: A-022-004-B	△	13. 01. 18			HuangPengFei



All Materials With RoHS Standard

Material List:

NO.	NAME	DESCRIPTION	UNIT	Q' TY
1	CABLE	USB2.0 28AWG *1PR+22AWG*2C Double Shield Jacket Color: transprence brown OD: 4.7	mm	10000
2	CONNECTOR	USB ("A") male Solder Type Insulation Color:White Pin Gold Plated Terminal:Shell Gold Plated	set	1
3	CONNECTOR	USB ("A") Female Solder Type Insulation Color:White Pin Gold Plated Terminal:Shell Nickel Plated	set	1
4	INNER MOLD	LD PE	g	5
5	OUTER MOLD	50P PVC COLOR : transprence brown	g	12
6	TUBE	OD: 0.8 L: 5mm	pcs	1
7	PCB	PCB	pcs	1
8	STICKER	23.5*11mm "TRIPP-LITE" <small>TRIPP-LITE CORPORATION</small>	pcs	1

REV: B		DRAWN BY:
UNIT: mm		CHECKED BY:
SCALE: NONE	PART NO: U026-10M	APPROVED BY: