



Chipsmall Limited consists of a professional team with an average of over 10 year of expertise in the distribution of electronic components. Based in Hongkong, we have already established firm and mutual-benefit business relationships with customers from,Europe,America and south Asia,supplying obsolete and hard-to-find components to meet their specific needs.

With the principle of “Quality Parts,Customers Priority,Honest Operation,and Considerate Service”,our business mainly focus on the distribution of electronic components. Line cards we deal with include Microchip,ALPS,ROHM,Xilinx,Pulse,ON,Everlight and Freescale. Main products comprise IC,Modules,Potentiometer,IC Socket,Relay,Connector.Our parts cover such applications as commercial,industrial, and automotives areas.

We are looking forward to setting up business relationship with you and hope to provide you with the best service and solution. Let us make a better world for our industry!



Contact us

Tel: +86-755-8981 8866 Fax: +86-755-8427 6832

Email & Skype: info@chipsmall.com Web: www.chipsmall.com

Address: A1208, Overseas Decoration Building, #122 Zhenhua RD., Futian, Shenzhen, China



Features

- Temperature and Supply Voltage Compensated Flashing Frequency
- Frequency Doubling Indicates Lamp Outage
- Two Relay Driver Outputs with High Current-carrying Capacity and Low Saturation Voltage
- Minimum Lamp Load for Flasher Operation: $\geq 1W$
- Very Low Susceptibility to EMI
- Protection According to ISO/TR7637/1 Level 4
- Extremely Low Current Consumption $< 10 \mu A$ (with Switches Open)
- Reverse Polarity Protection
- Three Control Inputs: Left, Right and Hazard Warning



1. Description

The integrated circuit U2044B is used in relay-controlled automotive flashers. With two output stages, each side of the vehicle is controlled separately. A left and a right direction indicator input with only a small control current makes switch contacts for small loads possible.

The separate hazard warning input simplifies the construction of the hazard switch. Lamp outage is indicated by frequency doubling during direction mode. Thanks to extreme low current consumption the U2044B can be directly connected to the battery.



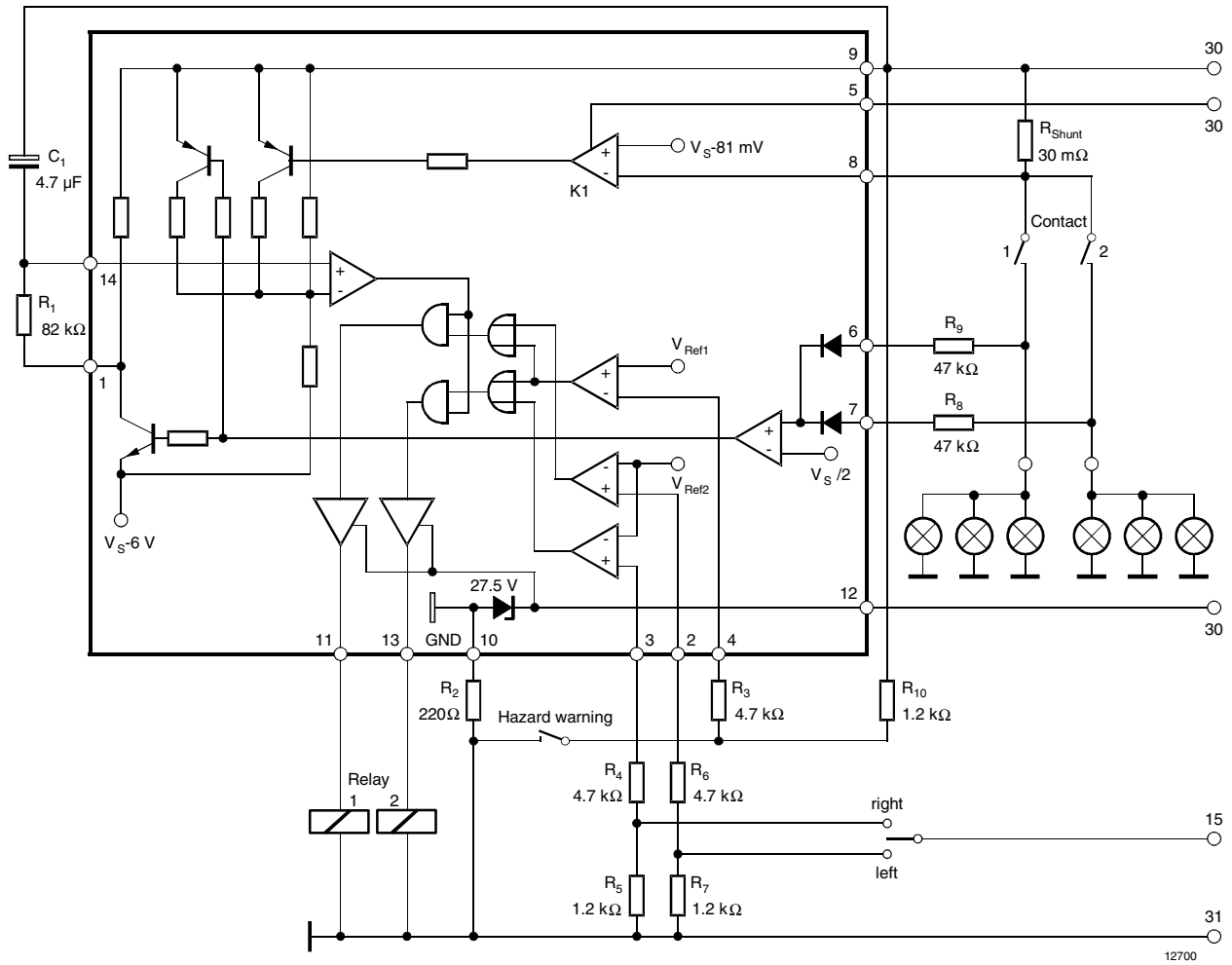
Dual Output Flasher

U2044B

Rev. 4721B-AUTO-09/05



Figure 1-1. Block Diagram



2. Pin Configuration

Figure 2-1. Pinning DIP14/SO14

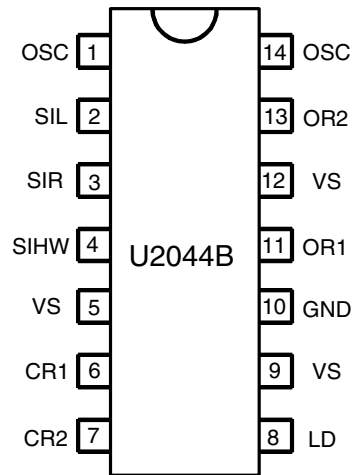


Table 2-1. Pin Description

Pin	Symbol	Function
1	OSC	Oscillator
2	SIL	Start input left
3	SIR	Start input right
4	SIHW	Start input hazard warning
5	VS	V_S
6	CR1	Control input relay 1
7	CR2	Control input relay 2
8	LD	Lamp failure detection
9	VS	V_S
10	GND	IC ground
11	OR1	Output relay 1
12	VS	V_S
13	OR2	Output relay 2
14	OSC	Oscillator

3. Functional Description

3.1 Oscillator (Pin 1 and 14)

Flashing frequency, f_1 , is determined by the R_1C_1 components as follows (see [Figure 1-1 on page 2](#)):

$$f_1 \approx \frac{1}{R_1 \times C_1 \times 1.5} \text{ Hz}$$

where $C_1 \leq 47 \mu\text{F}$
 $R_1 = 6.8 \text{ k}\Omega$ to $180 \text{ k}\Omega$

In the case of a lamp outage, the oscillator frequency is switched to the lamp outage frequency f_2 with $f_2 \approx 2.2 \times f_1$.

Duty cycle in normal flashing mode: 50%
 Duty cycle in lamp outage mode: 40% (bright phase)

3.2 Start Input Right and Left (Pin 2 and 3)

Flashing is disabled as long as the input comparator is tied to GND (pull-down resistor R_7 or R_5). The high-side flasher switch left or right changes the comparator status and enables the output stage at pin 11 or pin 13. R_6 and R_4 are protection resistors for the input stage.

With an open flasher switch the current consumption is only $I < 10 \mu\text{A}$. The IC is kept in stand-by mode until there is a voltage drop of $V \approx 6.9\text{V}$ at the pull-down resistor.

Direction mode can only be activated when the ignition switch is in the ON-position as shown in [Figure 1-1 on page 2](#).

3.3 Start Input Hazard Warning (Pin 4)

In contrast to the direction switches, the hazard input is a low-side type. The pull-up resistor R_{10} provides the off-state. R_3 is a protection resistor for the input stage. Hazard warning can be activated independent of the ignition switch position.

3.4 Supply Voltage Sense (Pin 5)

This pin supplies the lamp outage comparator at pin 8 and is externally connected to the battery (KI 30).

3.5 Control Input Relay 1 and 2 (Pin 6 and 7)

The feedback detects the bright phase and the dark phase and enables the oscillator.

3.6 Lamp Outage Detection (Pin 8)

The lamp current is monitored via an external shunt resistor, R_{Shunt} and an internal comparator, K1, with its reference voltage of typically 81 mV ($V_S = 12\text{V}$). The outage of one lamp out of two lamps is detected according to the following calculation:

$$\begin{aligned} \text{Nominal current of 1 lamp: } 21\text{W}/(V_S = 12\text{V}): & \quad I_{\text{lamp}} = 1.75\text{A} \\ \text{Nominal current of 2 lamps: } 2 \times 21\text{W}/(V_S = 12\text{V}): & \quad I_{\text{lamp}} = 3.5\text{A} \end{aligned}$$

We recommend setting the detection threshold in the middle of the current range: $I_{\text{outage}} \approx 2.7\text{A}$

Thus the shunt resistor is calculated as:

$$\begin{aligned} R_{\text{Shunt}} &= V_T (K1)/I_{\text{outage}} \\ R_{\text{Shunt}} &= 81 \text{ mV}/2.7 \text{ A} = 30 \text{ m}\Omega \end{aligned}$$

Comparator K1's reference voltage is matched to the characteristics of filament lamps (see section "Control Signal Threshold").

The combination of the shunt resistor and the resistance of the wire harness prevents pin 8 from a too high voltage in the case of shorted lamps.

3.7 Supply Voltage (Pin 9)

This pin supplies the oscillator, the comparators and the logic parts of the IC.

3.8 GND (Pin 10)

The integrated circuit is protected against transients according to ISO-TR 7637-3 level 3 via resistor R_2 to ground (–31). An integrated protection circuit together with external resistors R_2 , R_3 , R_4 , R_6 , R_8 and R_9 limits the current pulses in the IC. The IC is also protected against reversed battery.

3.9 Control Output Relay 1 and 2 (Pin 11 and 13)

The relay control outputs are high-side drivers with a low saturation voltage and capable of driving a typical automotive relay with a coil resistance of 60Ω

3.10 Supply Voltage Power (Pin 12)

This pin supplies the relay drivers connected directly to the battery (KI 30). It is internally clamped by a 27-V Z-diode.

4. Absolute Maximum Ratings

Stresses beyond those listed under “Absolute Maximum Ratings” may cause permanent damage to the device. This is a stress rating only and functional operation of the device at these or any other conditions beyond those indicated in the operational sections of this specification is not implied. Exposure to absolute maximum rating conditions for extended periods may affect device reliability.

Reference point pin 1

Parameters	Symbol	Value	Unit
Supply voltage, 1 min, pins 5, 9 and 12	V_S	24	V
Junction temperature	T_j	150	°C
Ambient temperature range	T_{amb}	-40 to +100	°C
Storage temperature range	T_{stg}	-55 to +150	°C

5. Thermal Resistance

Parameters	Symbol	Value	Unit
Junction ambient, DIP14	R_{thJA}	90	K/W
Junction ambient, SO14	R_{thJA}	120	K/W

6. Electrical Characteristics

Typical values under normal operation in application circuit [Figure 1-1 on page 2](#), $V_S (+30) = 12V$.

Reference point ground (-31), $T_{amb} = 25^\circ C$, unless otherwise specified

Parameters	Test Conditions	Symbol	Min.	Typ.	Max.	Unit
Supply voltage range	Pins 5, 9, 12	V_S	8		18	V
Supply current, switches open	Pins 5, 9, 12	I_S			10	μA
Output current for relay driver	Pins 11, 13	I_O			300	mA
Saturation voltage	$R_L = 82\Omega$ $V_S = 8V$ $V_S = 12V$	V_O			1.0	V
					1.2	V
Relay output reverse current	Pin 11, 13	I_O			0.1	mA
Relay coil resistance		R_L	60			Ω
Start delay	First bright phase	t_{on}			10	ms
Control signal threshold	$V_S = 9V$ $V_S = 13.5V$ $V_S = 16V$	V_S V_S V_S		70.6		mV
				85.0		mV
				93.0		mV
Tolerance of control signal threshold	$V_S = 9V$ to $16V$, pin 8, $T_{amb} = -140^\circ C$ to $100^\circ C$		-6		+6	%
Temperature coefficient of control signal threshold	$V_S = 13.5V$, pin 8	T_K		10		$\mu V/K$
Clamping voltage	$T_{amb} = -40^\circ C$ to $100^\circ C$	V_{12}	25.0	27.5	30.0	V
Relay output overvoltage detection (relay disabled)	$T_{amb} = -40^\circ C$ to $100^\circ C$	V_{12}	18	20	22	V

7. Tolerances

Typical values under normal operation in application circuit [Figure 1-1 on page 2](#), $V_S (+30) = 12V$.
Reference point ground (-31), $T_{amb} = 25^\circ C$, unless otherwise specified

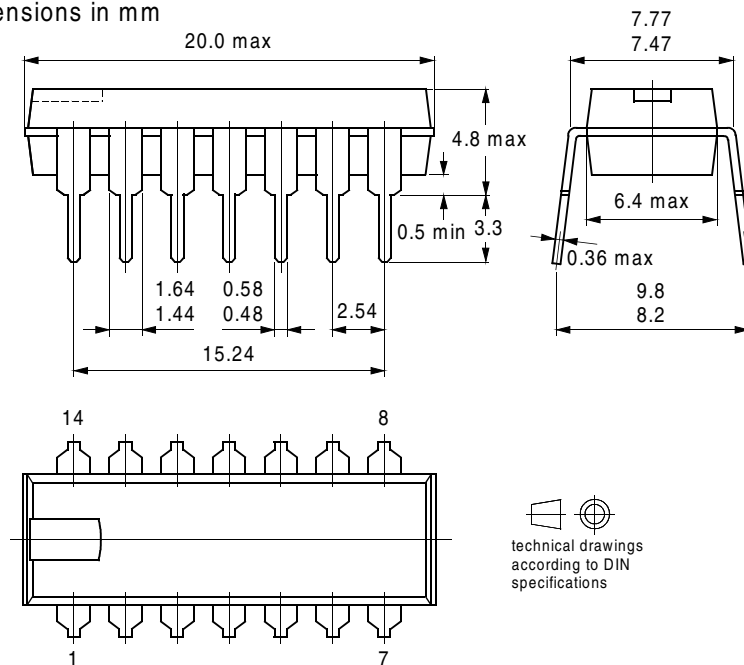
Parameters	Test Conditions	Symbol	Min.	Typ.	Max.	Unit
Frequency determining resistor		R_1	6.8		510	$k\Omega$
Frequency determining capacitor		C_1			47	μF
Frequency tolerance	Normal flashing, basic frequency f_1 not including the tolerance of the external components R_1 and C_1	Δf_1	-5		+5	%
Bright period	Basic frequency f_1	Δf_1	47		53	%
	Control frequency f_2	Δf_2	37		45	%
Frequency increase	Lamp failure	f_2	$2.15 \times f_1$		$2.3 \times f_1$	Hz
Lamp load		P_L	1			W

8. Ordering Information

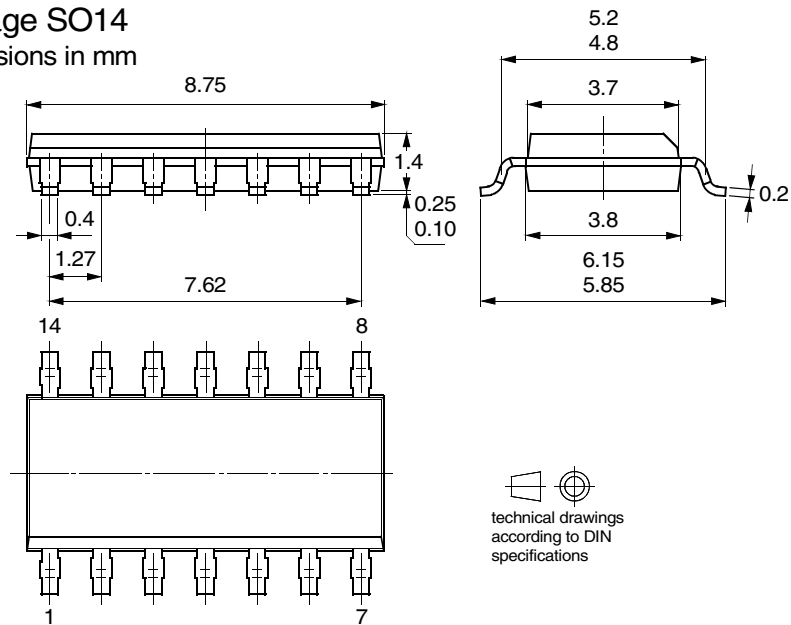
Extended Type Number	Package	Remarks
U2044B-MY	DIP14	Tubed, Pb-free
U2044B-MFPY	SO14	Tubed, Pb-free
U2044B-MFPG3Y	SO14	Taped and reeled, Pb-free

9. Package Information

Package DIP14
Dimensions in mm



Package SO14
Dimensions in mm



10. Revision History

Please note that the following page numbers referred to in this section refer to the specific revision mentioned, not to this document.

Revision No.	History
4721B-AUTO-09/05	<ul style="list-style-type: none"> Put datasheet in a new template Pb-free logo on page 1 added New heading rows in Table "Absolute Maximum Rating" on page 6 added Ordering Information on page 7 changed



Atmel Corporation

2325 Orchard Parkway
San Jose, CA 95131, USA
Tel: 1(408) 441-0311
Fax: 1(408) 487-2600

Regional Headquarters

Europe

Atmel Sarl
Route des Arsenaux 41
Case Postale 80
CH-1705 Fribourg
Switzerland
Tel: (41) 26-426-5555
Fax: (41) 26-426-5500

Asia

Room 1219
Chinachem Golden Plaza
77 Mody Road Tsimshatsui
East Kowloon
Hong Kong
Tel: (852) 2721-9778
Fax: (852) 2722-1369

Japan

9F, Tonetsu Shinkawa Bldg.
1-24-8 Shinkawa
Chuo-ku, Tokyo 104-0033
Japan
Tel: (81) 3-3523-3551
Fax: (81) 3-3523-7581

Atmel Operations

Memory

2325 Orchard Parkway
San Jose, CA 95131, USA
Tel: 1(408) 441-0311
Fax: 1(408) 436-4314

Microcontrollers

2325 Orchard Parkway
San Jose, CA 95131, USA
Tel: 1(408) 441-0311
Fax: 1(408) 436-4314

La Chantrerie
BP 70602
44306 Nantes Cedex 3, France
Tel: (33) 2-40-18-18-18
Fax: (33) 2-40-18-19-60

ASIC/ASSP/Smart Cards

Zone Industrielle
13106 Rousset Cedex, France
Tel: (33) 4-42-53-60-00
Fax: (33) 4-42-53-60-01

1150 East Cheyenne Mtn. Blvd.
Colorado Springs, CO 80906, USA
Tel: 1(719) 576-3300
Fax: 1(719) 540-1759

Scottish Enterprise Technology Park
Maxwell Building
East Kilbride G75 0QR, Scotland
Tel: (44) 1355-803-000
Fax: (44) 1355-242-743

RF/Automotive

Theresienstrasse 2
Postfach 3535
74025 Heilbronn, Germany
Tel: (49) 71-31-67-0
Fax: (49) 71-31-67-2340

1150 East Cheyenne Mtn. Blvd.
Colorado Springs, CO 80906, USA
Tel: 1(719) 576-3300
Fax: 1(719) 540-1759

Biometrics/Imaging/Hi-Rel MPU/ High Speed Converters/RF Datacom

Avenue de Rochepleine
BP 123
38521 Saint-Egreve Cedex, France
Tel: (33) 4-76-58-30-00
Fax: (33) 4-76-58-34-80

Literature Requests

www.atmel.com/literature

Disclaimer: The information in this document is provided in connection with Atmel products. No license, express or implied, by estoppel or otherwise, to any intellectual property right is granted by this document or in connection with the sale of Atmel products. **EXCEPT AS SET FORTH IN ATMEL'S TERMS AND CONDITIONS OF SALE LOCATED ON ATMEL'S WEB SITE, ATMEL ASSUMES NO LIABILITY WHATSOEVER AND DISCLAIMS ANY EXPRESS, IMPLIED OR STATUTORY WARRANTY RELATING TO ITS PRODUCTS INCLUDING, BUT NOT LIMITED TO, THE IMPLIED WARRANTY OF MERCHANTABILITY, FITNESS FOR A PARTICULAR PURPOSE, OR NON-INFRINGEMENT. IN NO EVENT SHALL ATMEL BE LIABLE FOR ANY DIRECT, INDIRECT, CONSEQUENTIAL, PUNITIVE, SPECIAL OR INCIDENTAL DAMAGES (INCLUDING, WITHOUT LIMITATION, DAMAGES FOR LOSS OF PROFITS, BUSINESS INTERRUPTION, OR LOSS OF INFORMATION) ARISING OUT OF THE USE OR INABILITY TO USE THIS DOCUMENT, EVEN IF ATMEL HAS BEEN ADVISED OF THE POSSIBILITY OF SUCH DAMAGES.** Atmel makes no representations or warranties with respect to the accuracy or completeness of the contents of this document and reserves the right to make changes to specifications and product descriptions at any time without notice. Atmel does not make any commitment to update the information contained herein. Unless specifically provided otherwise, Atmel products are not suitable for, and shall not be used in, automotive applications. Atmel's products are not intended, authorized, or warranted for use as components in applications intended to support or sustain life.

© Atmel Corporation 2005. All rights reserved. Atmel®, logo and combinations thereof, Everywhere You Are® and others, are registered trademarks or trademarks of Atmel Corporation or its subsidiaries. Other terms and product names may be trademarks of others.



Printed on recycled paper.