



Chipsmall Limited consists of a professional team with an average of over 10 year of expertise in the distribution of electronic components. Based in Hongkong, we have already established firm and mutual-benefit business relationships with customers from,Europe,America and south Asia,supplying obsolete and hard-to-find components to meet their specific needs.

With the principle of “Quality Parts,Customers Priority,Honest Operation,and Considerate Service”,our business mainly focus on the distribution of electronic components. Line cards we deal with include Microchip,ALPS,ROHM,Xilinx,Pulse,ON,Everlight and Freescale. Main products comprise IC,Modules,Potentiometer,IC Socket,Relay,Connector.Our parts cover such applications as commercial,industrial, and automotives areas.

We are looking forward to setting up business relationship with you and hope to provide you with the best service and solution. Let us make a better world for our industry!



Contact us

Tel: +86-755-8981 8866 Fax: +86-755-8427 6832

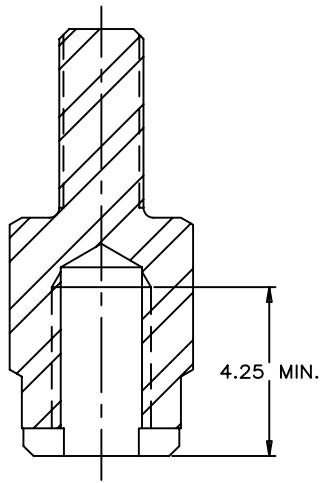
Email & Skype: info@chipsmall.com Web: www.chipsmall.com

Address: A1208, Overseas Decoration Building, #122 Zhenhua RD., Futian, Shenzhen, China

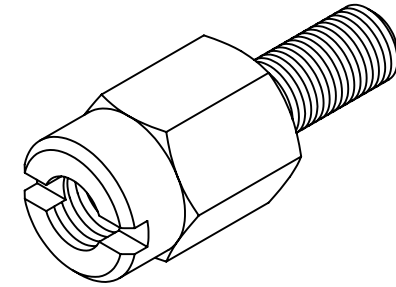


REVISIONS				
SYM	ZONE	ECN, ERN NO.	DATE	APPRD.
C		PROPOSAL	Apr 07, 2008	A.G.
D		PROPOSAL	Jun 26, 2008	A.G.

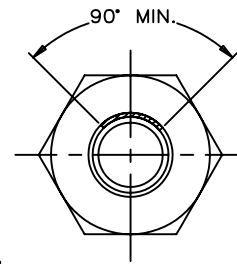
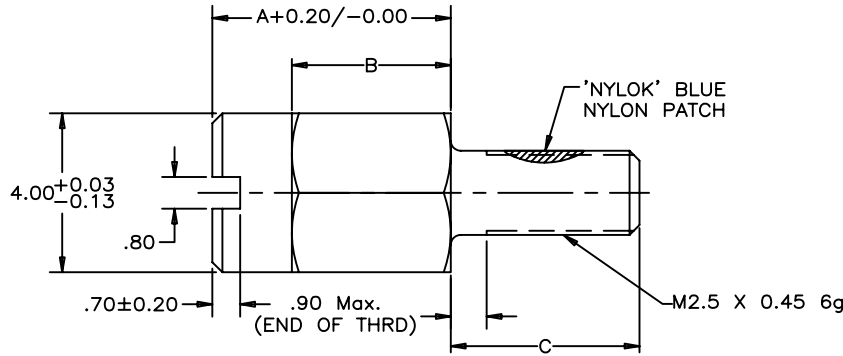
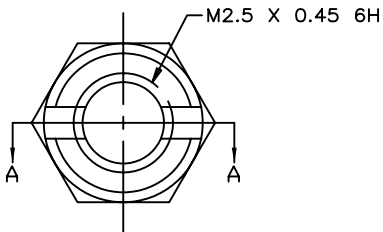
THIS IS A CAD DRAWING. DO NOT MANUALLY REVISE.



SECTION A-A



ISOMETRIC VIEW



PART NUMBER	DESCRIPTION	A	B	C
U65-404-40P	REGULAR SCREW	6.00	4.00	4.75
U65-404-41P	SELF-LOCKING SCREW (WITH 'NYLOK' BLUE NYLON PATCH)	6.00	4.00	4.75
U65-404-42P	LONG THREAD SCREW	5.40	3.40	5.35

NOTES:

1. MATERIAL: STEEL AISI 12L14.
2. PLATING: 2.54 μm MIN. NICKEL PLATING.
3. PART TO BE FREE FROM BURRS.
4. PART TO BE BULK PACKED.
5. GAGE FOR SCREW INSPECTION TO MEET REQUIREMENTS OF ASME B1.3M SPECIFICATION.

DRAWN	L.DENG	DATE	2004/09/22	Amphenol Canada Corp. TITLE JACK SCREW INFINITY RECEPTACLE SCREW LOCK TYPE
DESIGNED	L.DENG	DATE	2004/09/22	
CHECKED	J.SI	DATE	2004/09/22	
I. E. APPRD.				
DWG. APPRD.				
ENG. REL. NO.		DWG	DRAWING NO.	REV.
REF.	EAR# 12538	A	P-U65-404-4XP	D
DIMENSIONS ARE IN INCHES [mm]		SCALE	2/1	WT. _____
CODE ID. NO.		SURF. _____		SHEET 1 OF 1
03554				

THIS DOCUMENT CONTAINS PROPRIETARY INFORMATION AND SUCH INFORMATION MAY NOT BE DISCLOSED TO OTHERS FOR ANY PURPOSE OR USED FOR MANUFACTURING PURPOSES WITHOUT WRITTEN PERMISSION FROM AMPHENOL CANADA CORP.