



Chipsmall Limited consists of a professional team with an average of over 10 year of expertise in the distribution of electronic components. Based in Hongkong, we have already established firm and mutual-benefit business relationships with customers from,Europe,America and south Asia,supplying obsolete and hard-to-find components to meet their specific needs.

With the principle of “Quality Parts,Customers Priority,Honest Operation,and Considerate Service”,our business mainly focus on the distribution of electronic components. Line cards we deal with include Microchip,ALPS,ROHM,Xilinx,Pulse,ON,Everlight and Freescale. Main products comprise IC,Modules,Potentiometer,IC Socket,Relay,Connector.Our parts cover such applications as commercial,industrial, and automotives areas.

We are looking forward to setting up business relationship with you and hope to provide you with the best service and solution. Let us make a better world for our industry!



Contact us

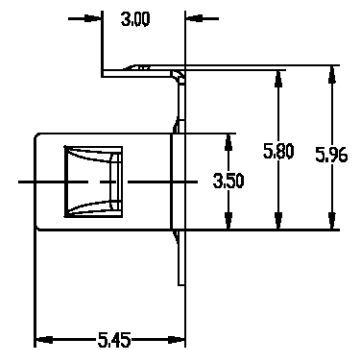
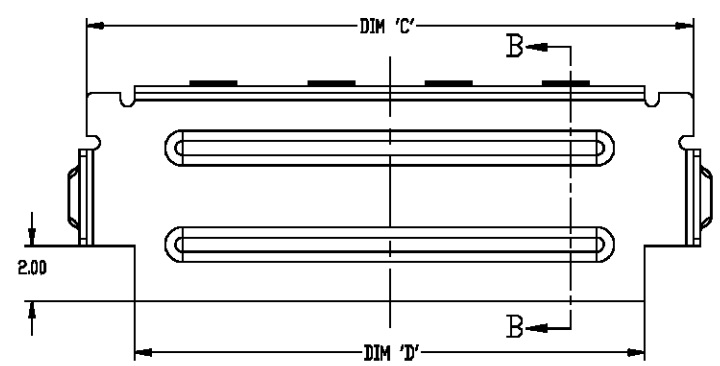
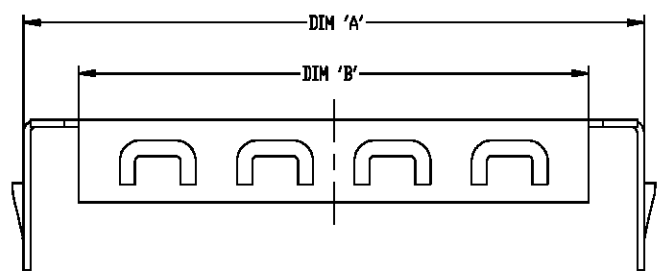
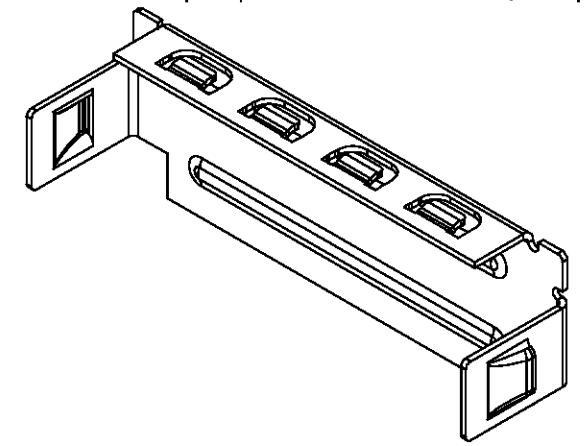
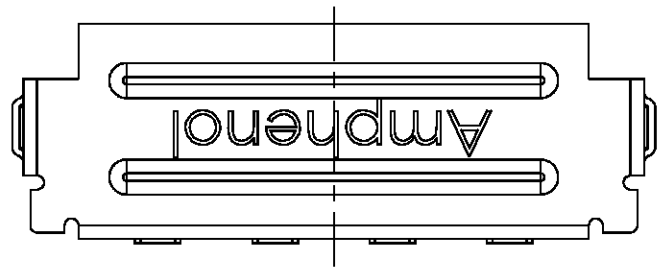
Tel: +86-755-8981 8866 Fax: +86-755-8427 6832

Email & Skype: info@chipsmall.com Web: www.chipsmall.com

Address: A1208, Overseas Decoration Building, #122 Zhenhua RD., Futian, Shenzhen, China



REVISIONS			
REV.	DESCRIPTION	DATE	APPROVED
A	PROPOSAL		
B	ADD FAMILY DRAWING DIMENSION	2004/05/26	
C	ADD NOTE	2004/06/20	
D	DIMENSION CHANGE	2006/07/26	ZLJ



PART NUMBER	DIM 'A'	DIM 'B'	DIM 'C'	DIM 'D'
U65-404-60-P	22.50	18.10	22.00	18.50
U65-412-60-P	46.50	42.50	46.00	42.50

- NOTE:
- MATERIAL: STAINLESS STEEL AISI 301(1/2 HARD), 0.25±0.013 mm THICK. FINISH: NATURAL.
 - PART TO BE BULK PACKAGED.

DO NOT SCALE DRAWING
 THIS DOCUMENT CONTAINS PROPRIETARY INFORMATION AND SUCH INFORMATION MAY NOT BE DISCLOSED TO OTHERS FOR ANY PURPOSE OR USED FOR MANUFACTURING PURPOSES WITHOUT PERMISSION FROM AMPHENOL CANADA CORP.

UNLESS OTHERWISE SPECIFIED DIMENSIONS ARE IN MILLIMETERS TOLERANCES ARE: DECIMALS XXX± 0.15 XXX± 0.10	APPROVALS DRAWN J.SI DESIGNED J.SI CHECKED IN APPD BY APPD ENG APPD	DATE 2004/05/12 2004/05/12	Amphenol Canada Corp. REAR COVER INFINIBAND RECEPTACLE
MATERIAL AND FINISH SEE NOTE 1	REF. EAR# 12444	SIZE A3	TITLE P-U65-4XX-60-P
DATE IDENT. NO. 03554	SCALE 5 = 1	PROJECT	REV. D SHEET 1 OF 1