



Chipsmall Limited consists of a professional team with an average of over 10 year of expertise in the distribution of electronic components. Based in Hongkong, we have already established firm and mutual-benefit business relationships with customers from,Europe,America and south Asia,supplying obsolete and hard-to-find components to meet their specific needs.

With the principle of “Quality Parts,Customers Priority,Honest Operation,and Considerate Service”,our business mainly focus on the distribution of electronic components. Line cards we deal with include Microchip,ALPS,ROHM,Xilinx,Pulse,ON,Everlight and Freescale. Main products comprise IC,Modules,Potentiometer,IC Socket,Relay,Connector.Our parts cover such applications as commercial,industrial, and automotives areas.

We are looking forward to setting up business relationship with you and hope to provide you with the best service and solution. Let us make a better world for our industry!



Contact us

Tel: +86-755-8981 8866 Fax: +86-755-8427 6832

Email & Skype: info@chipsmall.com Web: www.chipsmall.com

Address: A1208, Overseas Decoration Building, #122 Zhenhua RD., Futian, Shenzhen, China





Special Fail-safe IC

U6808B

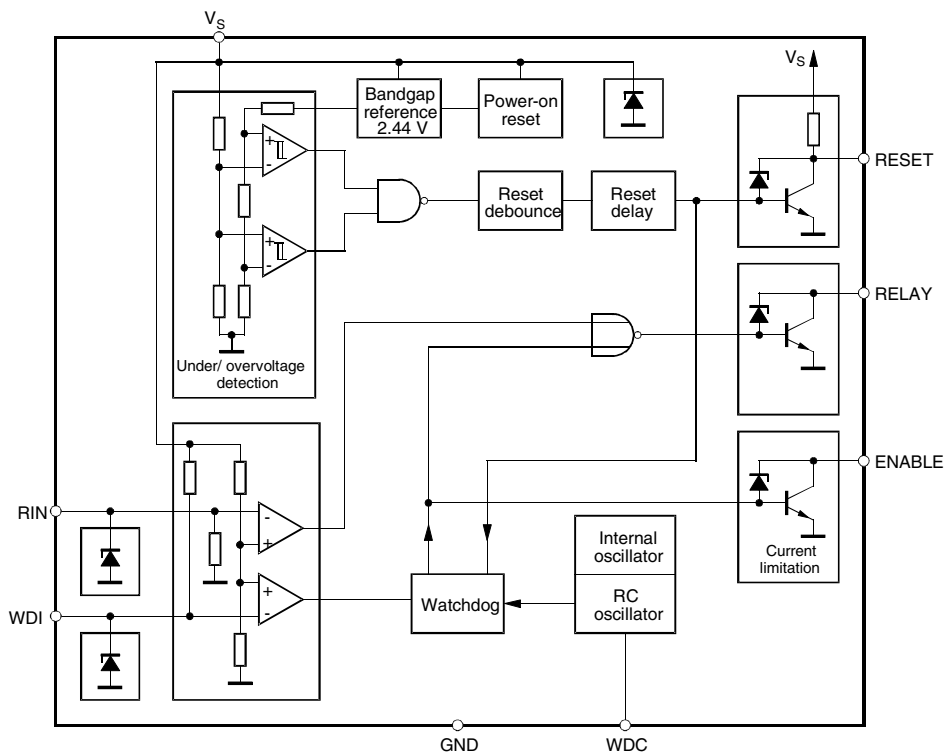
Features

- Digital Self-supervising Watchdog with Hysteresis
- One 250-mA Output Driver for Relay
- Enable Output Open Collector 8 mA
- Over/Undervoltage Detection
- ENABLE and RELAY Outputs Protected Against Standard Transients and 40 V Load Dump
- ESD Protection According to MIL-STD-883 D Test Method 3015.7
 - Human Body Model: ± 2 kV (100 pF, 1.5 k Ω)
 - Machine Model: ± 200 V (200 pF, 0 Ω)

Description

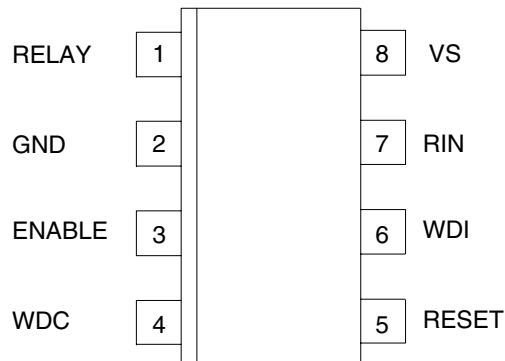
The U6808B is designed to support the fail-safe function of a safety critical system (e.g., ABS). It includes a relay driver, a watchdog controlled by an external R/C-network and a reset circuit initiated by an over and undervoltage condition of the 5-V supply providing a low-level reset signal.

Figure 1. Block Diagram



Pin Configuration

Figure 2. Pinning SO8



Pin Description

Pin	Symbol	Type	Function	Logic
1	RELAY	Open collector driver output	Fail-safe relay driver	No signal: driver off Low: driver on
2	GND	Supply	Standard ground	No signal
3	ENABLE	Digital output	Negative reset signal	Low: reset
4	WDC	Analog input	External RC for watchdog timer	No signal
5	RESET	Digital output	Negative reset signal	Low: reset
6	WDI	Digital input	Watchdog trigger signal	Pulse sequence
7	RIN	Digital input	Activation of relay driver	High: driver on Low: driver off
8	VS	Supply	5-V supply	–

Fail-safe Functions

A fail-safe IC has to maintain its monitoring function even if there is a fault condition at one of the pins (e.g., short circuit). This ensures that a microcontroller system is not brought into a critical status. A critical status is reached if the system is not able to switch off the relay and to give a signal to the microcontroller via the ENABLE and RESET outputs. The following table shows the fault conditions for the pins.

Table 1. Table of Fault Conditions

Pin	Function	Short to Vs	Short to VBat	Short to GND	Open Circuit
RIN	Digital input to activate the fail-safe relay	Relay on	Relay on	Relay off	Relay off
WDI	Watchdog trigger input	Watchdog reset	Watchdog reset	Watchdog reset	Watchdog reset
OSC	Capacitor and resistor of watchdog	Watchdog reset	Watchdog reset	Watchdog reset	Watchdog reset
RELAY	Driver of the fail-safe relay			Relay on	Relay off

Truth Tables

Table 2. Truth Table for Over and Undervoltage Conditions

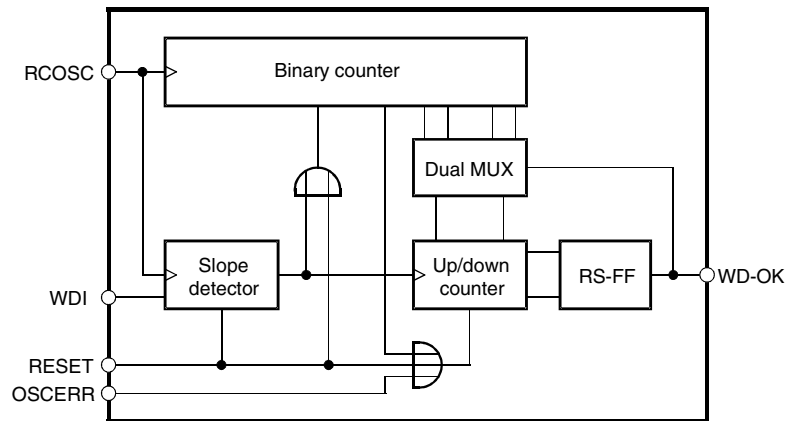
Supply Voltage (V _S)	Relay Input (RIN)	Relay Output Driver (RELAY)	RESET Output (RESET)	Enable Output Driver (ENABLE)
Normal	Low	Off	High	Off
	High	On	High	Off
Too low	Low	Off	Low	On
	High	Off	Low	On
Too high	Low	Off	Low	On
	High	Off	Low	On

Table 3. Truth Table for Watchdog Failures (Reset Output Do Not Care)

Watchdog Input (WDI)	Relay Input (RIN)	Relay Output Driver (RELAY)	Enable Output Driver (ENABLE)
Normal	Low	Off	Off
	High	On	Off
Too slow	Low	Off	On
	High	Off	On
Too fast	Low	Off	On
	High	Off	On

Description of the Watchdog

Figure 3. Watchdog Block Diagram



Abstract

The microcontroller is monitored by a digital window watchdog which accepts an incoming trigger signal of a constant frequency for correct operation. The frequency of the trigger signal can be varied in a broad range as the watchdog's time window is determined by external R/C components. The following description refers to the block diagram, see Figure 3.

WDI Input

The microcontroller has to provide a trigger signal with the frequency f_{WDI} which is fed to the WDI input. A positive edge of f_{WDI} detected by a slope detector resets the binary counter and clocks the up/down counter additionally. The latter one counts only from 0 to 3 or reverse. Each correct trigger increments the up/down counter by 1, each wrong trigger decrements it by 1. As soon as the counter reaches status 3 the RS flip-flop is set (see Figure 4). A missing incoming trigger signal is detected after 250 clocks of the internal watchdog frequency f_{RC} (see section “WD-OK Output”) and resets the up/down counter directly.

RCOSC Input

With an external R/C circuitry the IC generates a time base (frequency f_{WDC}) independent from the microcontroller. The watchdog's time window refers to a frequency of

$$f_{WDC} = 100 \times f_{WDI}$$

OSCERR Input

A smart watchdog has to ensure that internal problems with its own time base are detected and do not lead to an undesired status of the complete system. If the RC oscillator stops oscillating a signal is fed to the OSCERR input after a timeout delay. It resets the up/down counter and disables the WD-OK output.

Without this reset function the watchdog would freeze in its current status when f_{RC} stops.

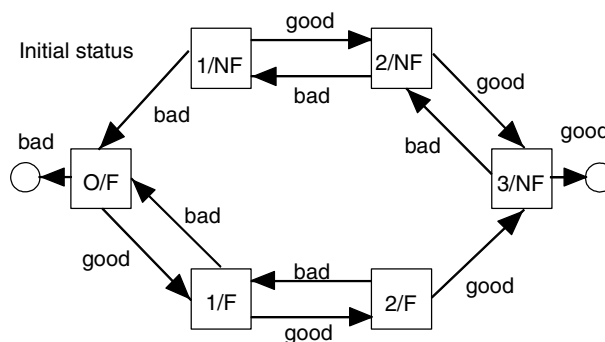
RESET Input

During power-on and under/overvoltage detection a reset signal is fed to this pin. It resets the watchdog timer and sets the initial state.

WD-OK Output

After the up/down counter is incremented to status 3 (see Figure 4) the RS flip-flop is set and the WD-OK output becomes logic 1. This information is available for the microcontroller at the open-collector output ENABLE. If on the other hand the up/down counter is decremented to 0 the RS flip-flop is reset, the WD-OK output and the ENABLE output are disabled. The WD-OK output also controls a dual MUX stage which shifts the time window by one clock after a successful trigger, thus forming a hysteresis to provide stable conditions for the evaluation of the trigger signal good or false. The WD-OK signal is also reset in case the watchdog counter is not reset after 250 clocks (missing trigger signal).

Watchdog State Diagram Figure 4. Watchdog State Diagram



Explanation

In each block, the first character represents the state of the counter. The second notation indicates the fault status of the counter. A fault status is indicated by an F and a no fault status is indicated by an NF. When the watchdog is powered up initially, the counter starts out at the 0/F block (initial state). Good indicates that a pulse has been received whose width resides within the timing window. Bad indicates that a pulse has been received whose width is either too short or too long.

Watchdog Window Calculation

Example with Recommended Values

$C_{osc} = 3.3 \text{ nF}$ (should be preferably 10%, NPO)

$R_{osc} = 39 \text{ k}\Omega$ (may be 5%, $R_{osc} < 100 \text{ k}\Omega$ due to leakage current and humidity)

RC Oscillator

$t_{WDC}(s) = 10^{-3} \times [C_{osc} \text{ (nF)} \times [(0.00078 \times R_{osc} \text{ (k}\Omega)) + 0.0005]]$

$f_{WDC}(\text{Hz}) = 1/(t_{WDC})$

Watchdog WDI

$f_{WDI}(\text{Hz}) = 0.01 \times f_{WDC}$

$t_{WDC} = 100 \mu\text{s} \rightarrow f_{WDC} = 10 \text{ kHz}$

$f_{WDI} = 100 \text{ Hz} \rightarrow t_{WDI} = 10 \text{ ms}$

WDI Pulse Width for Fault Detection after 3 Pulses

Upper watchdog window

Minimum: $169/f_{WDC} = 16.9 \text{ ms} \rightarrow f_{WDC}/169 = 59.1 \text{ Hz}$

Maximum: $170/f_{WDC} = 17.0 \text{ ms} \rightarrow f_{WDC}/170 = 58.8 \text{ Hz}$

Lower watchdog window

Minimum: $79/f_{WDC} = 7.9 \text{ ms} \rightarrow f_{WDC}/79 = 126.6 \text{ Hz}$

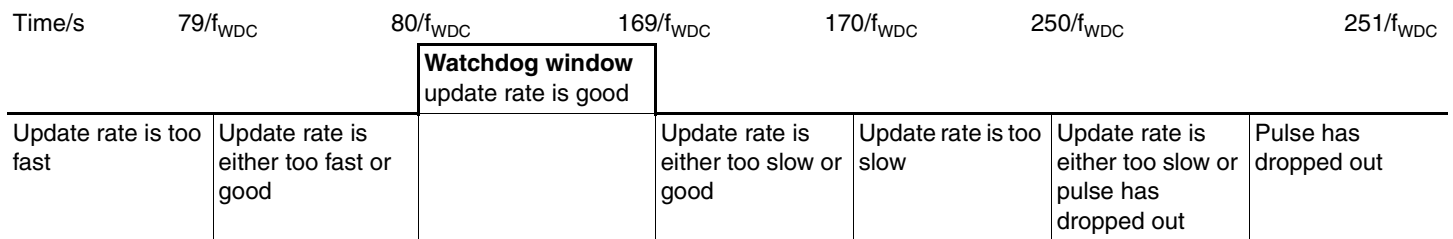
Maximum: $80/f_{WDC} = 8.0 \text{ ms} \rightarrow f_{WDC}/80 = 125.0 \text{ Hz}$

WDI Dropouts for Immediate Fault Detection

Minimum: $250/f_{WDC} = 25 \text{ ms}$

Maximum: $251/f_{WDC} = 25.1 \text{ ms}$

Figure 5. Watchdog Timing Diagram with Tolerances



Reset Delay

The duration of the over or undervoltage pulses determines the enable and reset output. A pulse duration shorter than the debounce time has no effect on the outputs. A pulse longer than the debounce time results in the first reset delay. If a pulse appears during this delay, a second delay time is triggered. Therefore, the total reset delay time can be longer than specified in the data sheet.

Absolute Maximum Ratings

Parameters	Symbol	Value	Unit
Supply-voltage range	V_S	-0.2 to +16	V
Power dissipation $V_S = 5\text{ V}$, $T_{\text{amb}} = -40^\circ\text{C}$ $V_S = 5\text{ V}$, $T_{\text{amb}} = +125^\circ\text{C}$	P_{tot} P_{tot}	250 150	mW mW
Thermal resistance	R_{thja}	160	K/W
Junction temperature	T_j	150	$^\circ\text{C}$
Ambient temperature range	T_{amb}	-40 to +125	$^\circ\text{C}$
Storage temperature range	T_{stg}	-55 to +155	$^\circ\text{C}$

Electrical Characteristics

$V_S = 5\text{ V}$, $T_{\text{amb}} = -40\text{ to }+125^\circ\text{C}$, reference pin is GND, $f_{\text{intern}} = 100\text{ kHz} + 50\% - 45\%$, $f_{\text{WDC}} = 10\text{ kHz} \pm 10\%$, $f_{\text{WDI}} = 100\text{ Hz}$

Parameters	Test Conditions	Symbol	Min.	Typ.	Max.	Unit
Supply Voltage						
Operation range general		V_S	4.5		5.5	V
Operation range reset		V_S	1.2		16.0	V
Supply Current						
Relay off	$T_{\text{amb}} = -40^\circ\text{C}$ $T_{\text{amb}} = +125^\circ\text{C}$				6	mA mA
Relay on	$T_{\text{amb}} = -40^\circ\text{C}$ $T_{\text{amb}} = +125^\circ\text{C}$				15	mA mA
Digital Input WDI						
Detection low			-0.2		$0.2 \times V_S$	V
Detection high			$0.7 \times V_S$		$V_S + 0.5\text{ V}$	V
Resistance to V_S			10		40	$\text{k}\Omega$
Input current low	Input voltage = 0 V		100		550	μA
Input current high	Input voltage = V_S		-5		+5	μA
Zener clamping voltage		V_{ZWDI}	20		24	V
Digital Input RIN						
Detection low			-0.2		$0.2 \times V_S$	V
Detection high			$0.7 \times V_S$		$V_S + 0.5\text{ V}$	V
Resistance to GND			10		40	$\text{k}\Omega$
Input current low	Input voltage = 0 V		-5		+5	μA
Input current high	Input voltage = V_S		100		550	μA
Zener clamping voltage		V_{ZRIN}	20		24	V
Digital Output RESET with Internal Pull-up						
Voltage high	Pull-up = 6 $\text{k}\Omega$		$0.7 \times V_S + 0.1$		V_S	V
Voltage low	$I \leq 1\text{ mA}$ $1.2\text{ V} < V_S < 16\text{ V}$		0		0.3	V
Zener clamping voltage		V_{ZRESET}	26		30	V
Reset debounce time	Switch to low	t_{deb}	120	320	500	μs

Electrical Characteristics (Continued)

$V_S = 5\text{ V}$, $T_{\text{amb}} = -40\text{ to }+125^\circ\text{C}$, reference pin is GND, $f_{\text{intern}} = 100\text{ kHz} + 50\% - 45\%$, $f_{\text{WDC}} = 10\text{ kHz} \pm 10\%$, $f_{\text{WDI}} = 100\text{ Hz}$

Parameters	Test Conditions	Symbol	Min.	Typ.	Max.	Unit
Reset delay time	Switch back to high	t_{del}		50		ms
Digital Output ENABLE with Open Collector						
Saturation voltage low	$I \leq 8\text{ mA}$		0.01		0.5	V
Zener clamping voltage		V_{ZEN}	26		30	V
Current limitation		I_{lim}	8			mA
Leakage current	$V_{\text{EN}} = 5\text{ V}$ $V_{\text{EN}} = 16\text{ V}$ $V_{\text{EN}} = 26\text{ V}$	I_{EN5} I_{EN16} I_{EN26}			20 100 200	μA μA μA
Reset debounce time	Switch to low	t_{deb}	120	320	500	μs
Reset delay time	Switch back to high	t_{del}		85		ms
Relay Driver Output RELAY						
Saturation voltage	$I \leq 250\text{ mA}$ $I \leq 130\text{ mA}$	V_{Rsat} V_{Rsat}			0.5 0.3	V V
Maximum load current	$T_{\text{amb}} = -40\text{ to }+90^\circ\text{C}$ $T_{\text{amb}} > 90^\circ\text{C}$	I_{R} I_{R}	250 200			mA mA
Zener clamping voltage		V_{ZR}	26		30	V
Turn-off energy			30			mJ
Leakage current	$V_{\text{R}} = 16\text{ V}$ $V_{\text{R}} = 26\text{ V}$	I_{R16} I_{R26}			20 200	μA μA
Reset and V_S Control						
Lower reset level		V_S	4.5		4.7	V
Upper reset level		V_S	5.35		5.6	V
Hysteresis			25		100	mV
Reset debounce time			120	320	500	μs
Reset delay			20	50	80	ms
RC Oscillator WDC						
Oscillator frequency	$R_{\text{OSC}} = 39\text{ k}\Omega$, $C_{\text{OSC}} = 3.3\text{ nF}$	f_{WDC}	9	10	11	kHz
Watchdog Timing						
Power-on-reset prolongation time		t_{POR}	34.3		103.1	ms
Detection time for RC oscillator fault	$V_{\text{RC}} = \text{const.}$	t_{RCerror}	81.9		246	ms
Time interval for over-/undervoltage detection		$t_{\text{D,OUV}}$	0.16		0.64	ms
Reaction time of RESET output over/undervoltage		$t_{\text{R,OUV}}$	0.187		0.72	ms
Nominal frequency for WDI	$f_{\text{RC}} = 100 \times f_{\text{WDI}}$	f_{WDI}	10		130	Hz
Nominal frequency for WDC	$f_{\text{WDI}} = 1/100 \times f_{\text{WDC}}$	f_{WDC}	1		13	kHz
Minimum pulse duration for a securely WDI input pulse detection		$t_{\text{P,WDI}}$	182			μs
Frequency range for a correct WDI signal		f_{WDI}	64.7		112.5	Hz

Electrical Characteristics (Continued)

$V_S = 5\text{ V}$, $T_{\text{amb}} = -40\text{ to }+125^\circ\text{C}$, reference pin is GND, $f_{\text{intern}} = 100\text{ kHz} + 50\% - 45\%$, $f_{\text{WDC}} = 10\text{ kHz} \pm 10\%$, $f_{\text{WDI}} = 100\text{ Hz}$

Parameters	Test Conditions	Symbol	Min.	Typ.	Max.	Unit
Number of incorrect WDI trigger counts for locking the outputs		n_{lock}		3		
Number of correct WDI trigger counts for releasing the outputs		n_{release}		3		
Detection time for a stucked WDI signal	$V_{\text{WDI}} = \text{const.}$	t_{WDIerror}	24.5		25.5	ms
Watchdog Timing Relative to f_{WDC}						
Minimum pulse duration for a securely WDI input pulse detection				2		Cycles
Frequency range for a correct WDI signal			80		169	Cycles
Hysteresis range at the WDI ok margins				1		Cycle
Detection time for a dropped out WDI signal	$V_{\text{WDI}} = \text{const.}$		250		251	Cycles

Protection against Transient Voltages According to ISO TR 7637-3 Level 4 (Except Pulse 5)

Pulse	Voltage	Source Resistance ⁽¹⁾	Rise Time	Duration	Amount
1	-110 V	10	100 V/s	2 ms	15.000
2	+110 V	10	100 V/s	0.05 ms	15.000
3a	-160 V	50	30 V/ns	0.1 s	1 h
3b	+150 V	50	20 V/ns	0.1 s	1 h
5	40 V	2	10 V/ms	250 ms	20

Note: 1. Relay driver: relay coil with $R_{\text{min}} = 70\ \Omega$ to be added

Timing Diagrams

Figure 6. Watchdog in Too-fast Condition

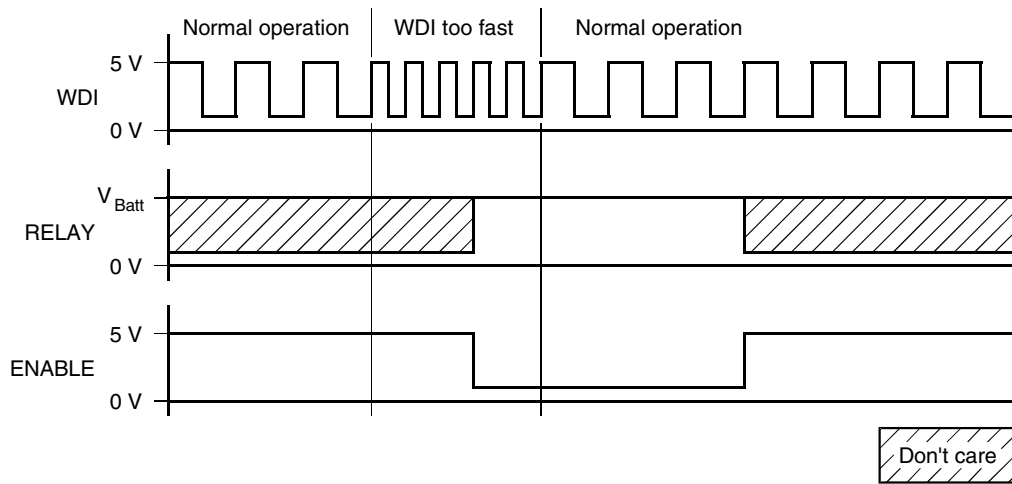


Figure 7. Watchdog in Too-slow Condition

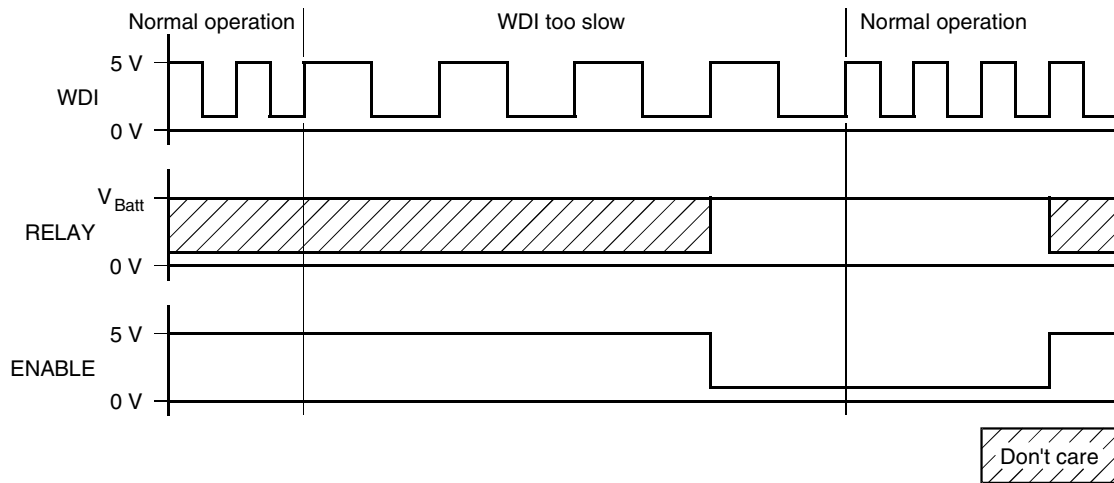


Figure 8. Overvoltage Condition

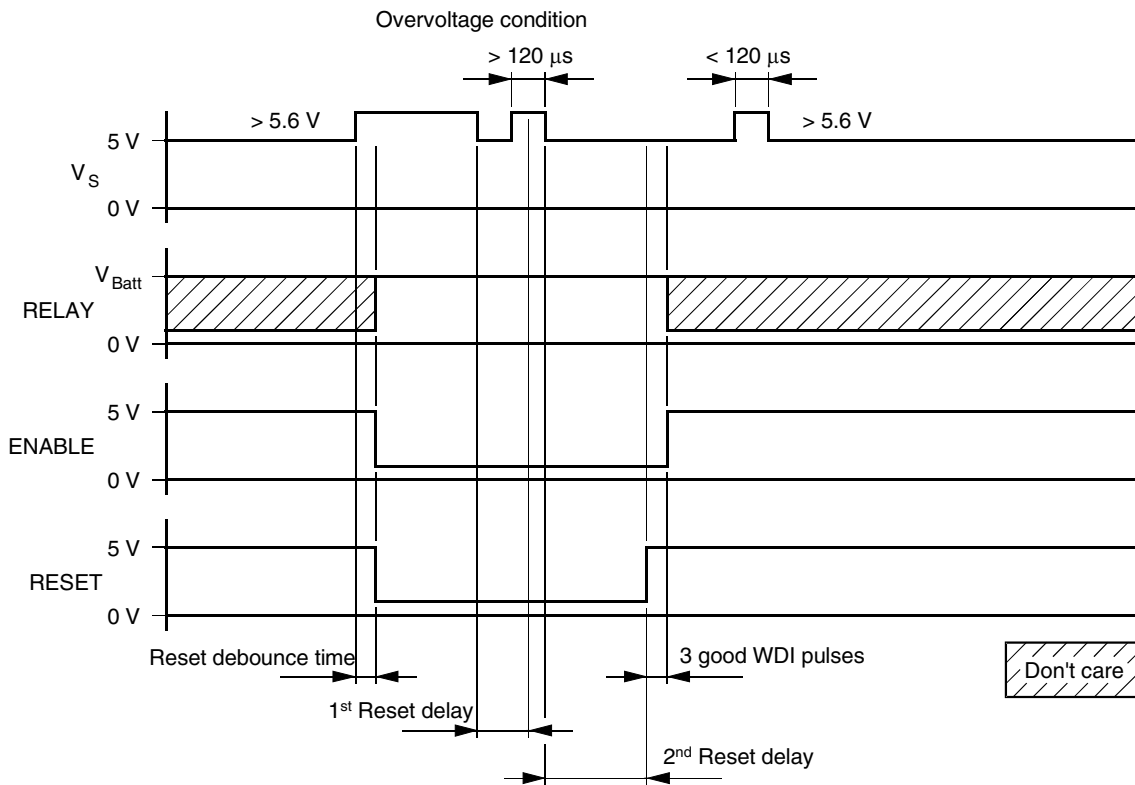


Figure 9. Undervoltage Condition

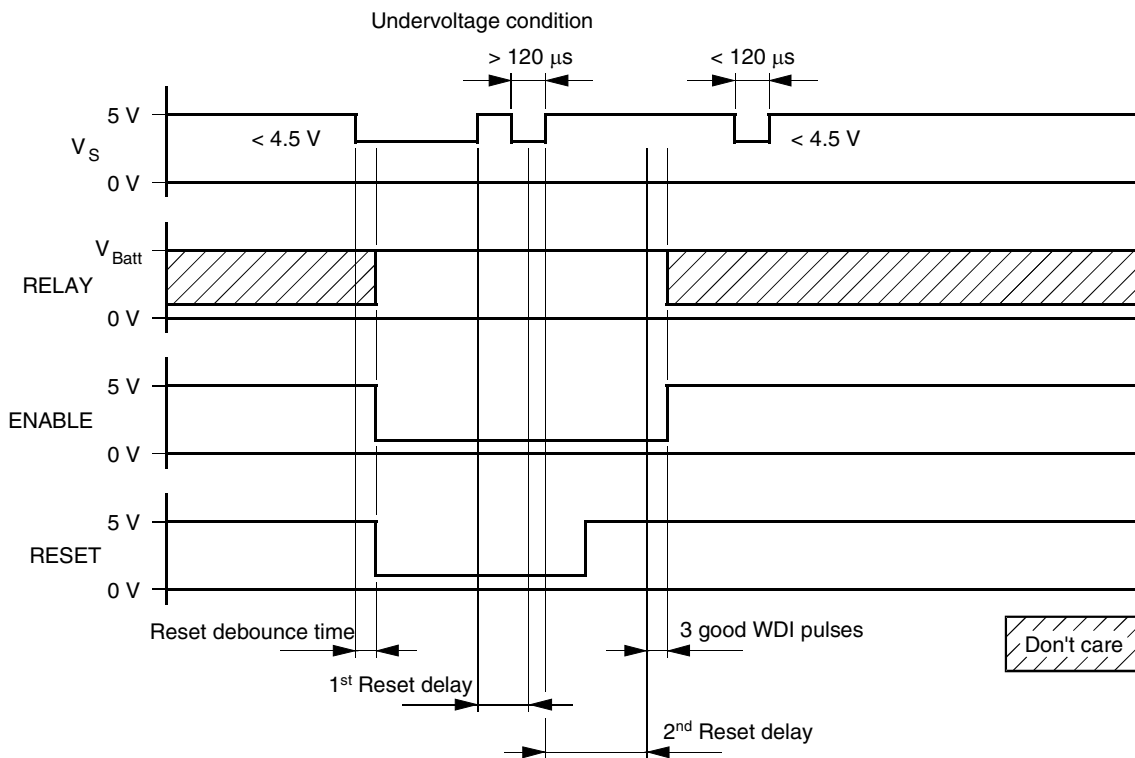
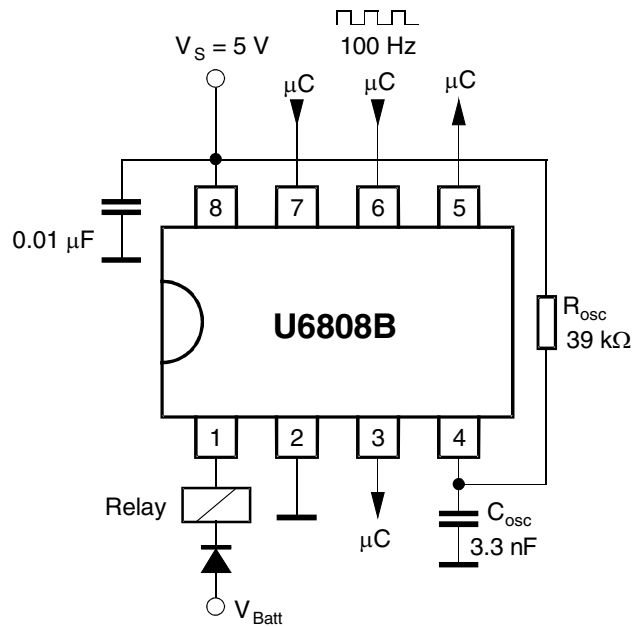


Figure 10. Application Circuit

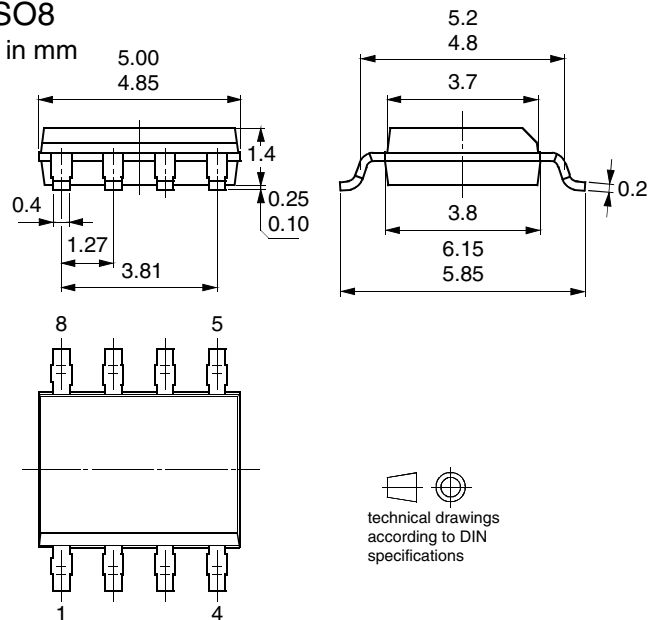


Ordering Information

Extended Type Number	Package	Remarks
U6808B	SO8	-

Package Information

Package SO8
Dimensions in mm





Atmel Headquarters

Corporate Headquarters
2325 Orchard Parkway
San Jose, CA 95131
TEL 1(408) 441-0311
FAX 1(408) 487-2600

Europe

Atmel Sarl
Route des Arsenaux 41
Case Postale 80
CH-1705 Fribourg
Switzerland
TEL (41) 26-426-5555
FAX (41) 26-426-5500

Asia

Room 1219
Chinachem Golden Plaza
77 Mody Road Tsimhatsui
East Kowloon
Hong Kong
TEL (852) 2721-9778
FAX (852) 2722-1369

Japan

9F, Tonetsu Shinkawa Bldg.
1-24-8 Shinkawa
Chuo-ku, Tokyo 104-0033
Japan
TEL (81) 3-3523-3551
FAX (81) 3-3523-7581

Atmel Operations

Memory

2325 Orchard Parkway
San Jose, CA 95131
TEL 1(408) 441-0311
FAX 1(408) 436-4314

Microcontrollers

2325 Orchard Parkway
San Jose, CA 95131
TEL 1(408) 441-0311
FAX 1(408) 436-4314

La Chantrerie
BP 70602
44306 Nantes Cedex 3, France
TEL (33) 2-40-18-18-18
FAX (33) 2-40-18-19-60

ASIC/ASSP/Smart Cards

Zone Industrielle
13106 Rousset Cedex, France
TEL (33) 4-42-53-60-00
FAX (33) 4-42-53-60-01

1150 East Cheyenne Mtn. Blvd.
Colorado Springs, CO 80906
TEL 1(719) 576-3300
FAX 1(719) 540-1759

Scottish Enterprise Technology Park
Maxwell Building
East Kilbride G75 0QR, Scotland
TEL (44) 1355-803-000
FAX (44) 1355-242-743

RF/Automotive

Theresienstrasse 2
Postfach 3535
74025 Heilbronn, Germany
TEL (49) 71-31-67-0
FAX (49) 71-31-67-2340

1150 East Cheyenne Mtn. Blvd.
Colorado Springs, CO 80906
TEL 1(719) 576-3300
FAX 1(719) 540-1759

Biometrics/Imaging/Hi-Rel MPU/ High Speed Converters/RF Datacom

Avenue de Rochepleine
BP 123
38521 Saint-Egreve Cedex, France
TEL (33) 4-76-58-30-00
FAX (33) 4-76-58-34-80

e-mail

literature@atmel.com

Web Site

<http://www.atmel.com>

© Atmel Corporation 2003.

Atmel Corporation makes no warranty for the use of its products, other than those expressly contained in the Company's standard warranty which is detailed in Atmel's Terms and Conditions located on the Company's web site. The Company assumes no responsibility for any errors which may appear in this document, reserves the right to change devices or specifications detailed herein at any time without notice, and does not make any commitment to update the information contained herein. No licenses to patents or other intellectual property of Atmel are granted by the Company in connection with the sale of Atmel products, expressly or by implication. Atmel's products are not authorized for use as critical components in life support devices or systems.

Atmel® is the registered trademark of Atmel.

Other terms and product names may be the trademarks of others.



Printed on recycled paper.