



Chipsmall Limited consists of a professional team with an average of over 10 year of expertise in the distribution of electronic components. Based in Hongkong, we have already established firm and mutual-benefit business relationships with customers from,Europe,America and south Asia,supplying obsolete and hard-to-find components to meet their specific needs.

With the principle of “Quality Parts,Customers Priority,Honest Operation,and Considerate Service”,our business mainly focus on the distribution of electronic components. Line cards we deal with include Microchip,ALPS,ROHM,Xilinx,Pulse,ON,Everlight and Freescale. Main products comprise IC,Modules,Potentiometer,IC Socket,Relay,Connector.Our parts cover such applications as commercial,industrial, and automotives areas.

We are looking forward to setting up business relationship with you and hope to provide you with the best service and solution. Let us make a better world for our industry!



Contact us

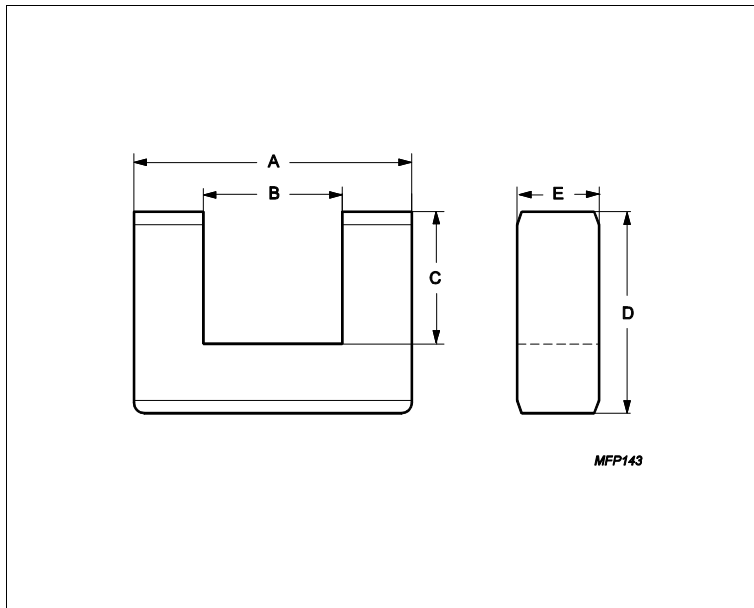
Tel: +86-755-8981 8866 Fax: +86-755-8427 6832

Email & Skype: info@chipsmall.com Web: www.chipsmall.com

Address: A1208, Overseas Decoration Building, #122 Zhenhua RD., Futian, Shenzhen, China



Core **U80/65/32**



Effective parameters			
	Parameter	Value	Unit
$\Sigma(I/A)$	core factor (C1)	0.439	mm ⁻¹
Ve	effective volume	219000	mm ³
Le	effective length	310	mm
Ae	effective area	706	mm ²
Amin	minimum area	704	mm ²
m	U80/65/32	≈ 560	g/pcs

Dimensions for product: U80/65/32						
	Nom	Tol +	Tol -	Max	Min	Unit
A	79.80	1.80	1.80	81.60	78.00	mm
B	35.20	1.20	1.20	36.40	34.00	mm
C	42.40	0.90	0.90	43.30	41.50	mm
D	64.60	0.50	0.50	65.10	64.10	mm
E	31.70	0.70	0.70	32.40	31.00	mm

Inductance factor				
Material	Value	Tol +	Tol -	Unit
3C90	6000	25%	25%	nH/turns ²

Power loss: 3C90				
Measuring conditions			Max	Unit
25 kHz	200 mT	100 °C	33.000	W/set

Bsat					
Measuring conditions			Material	Min	Unit
25 kHz	250 A/m	100 °C	3C90	320	mT