



Chipsmall Limited consists of a professional team with an average of over 10 year of expertise in the distribution of electronic components. Based in Hongkong, we have already established firm and mutual-benefit business relationships with customers from,Europe,America and south Asia,supplying obsolete and hard-to-find components to meet their specific needs.

With the principle of “Quality Parts,Customers Priority,Honest Operation,and Considerate Service”,our business mainly focus on the distribution of electronic components. Line cards we deal with include Microchip,ALPS,ROHM,Xilinx,Pulse,ON,Everlight and Freescale. Main products comprise IC,Modules,Potentiometer,IC Socket,Relay,Connector.Our parts cover such applications as commercial,industrial, and automotives areas.

We are looking forward to setting up business relationship with you and hope to provide you with the best service and solution. Let us make a better world for our industry!



Contact us

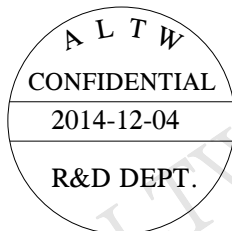
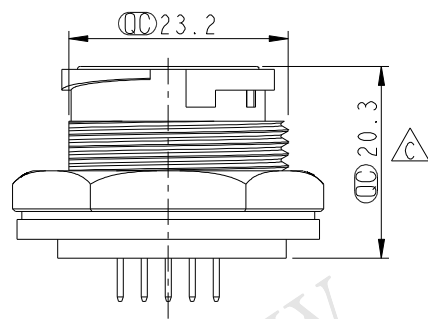
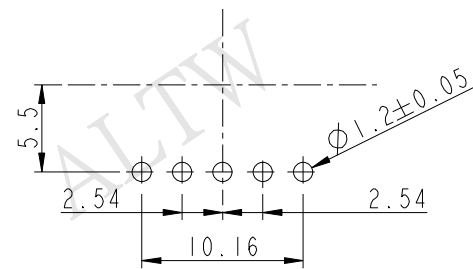
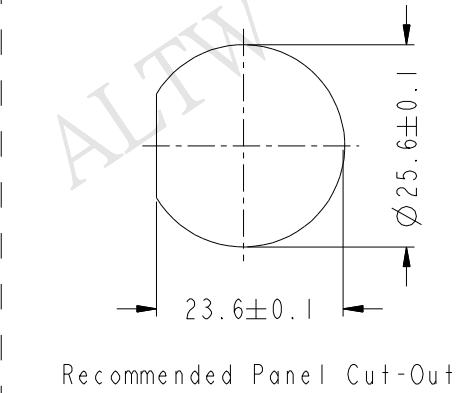
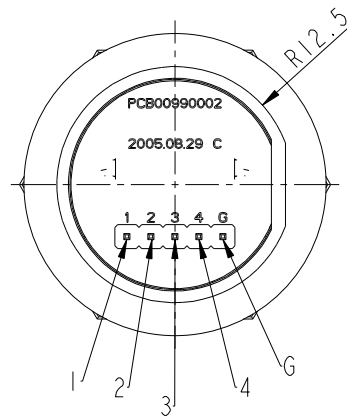
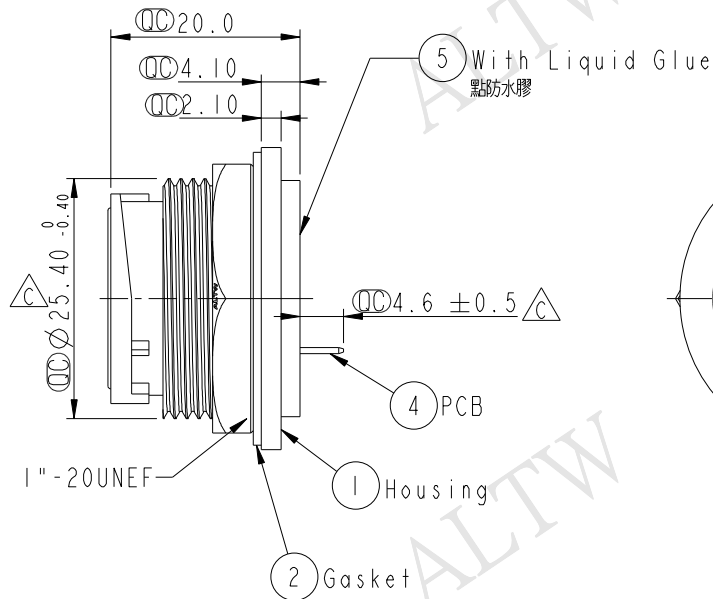
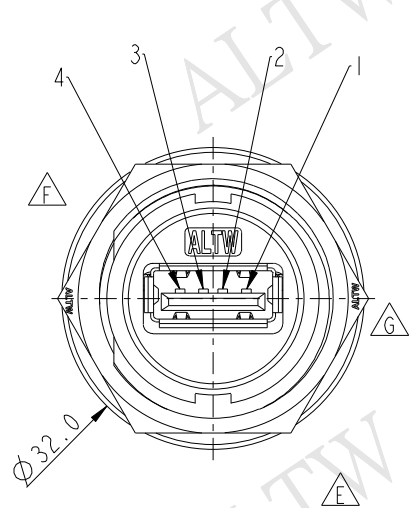
Tel: +86-755-8981 8866 Fax: +86-755-8427 6832

Email & Skype: info@chipsmall.com Web: www.chipsmall.com

Address: A1208, Overseas Decoration Building, #122 Zhenhua RD., Futian, Shenzhen, China



REV.	ECN NO.	DATE	SIGN	DESCRIPTION
E	LEN-090326	2010/09/17	Li Chi Cheng	Add "Waterproof Rate".
F	LEN1490379	2014/09/12	Lu Di	Update Logo
G	LEN14C0304	2014/12/04	Lu Di	Update Nut



- Note:
- * \varnothing Important Dimension.
 - * Waterproof Rate: IP67.
 - * Housing: Nylon+GF, Black.
 - * Nut: Nylon+GF, Black.
 - * Gasket: EPDM, Black.
 - * PCB: FR-4, t=1.0mm.
 - * Liquid Glue: Black.
 - * \triangle Use with waterproof cap or dust cap For Panel Thickness Max: 2.8mm
 - * \triangle Use without waterproof cap or dust cap For Panel Thickness Max: 4.0mm

UNIT: mm		TITLE		ITEM NO		DRAWN BY		DATE	
		USB A PCB TYPE FOR PANEL		UA-20PMFP-LC7001		Lu Di		2014/12/04	
TOLERANCE		SCALE	SIZE	SHEET	DWG NO	CHECKED BY	DATE		
.X ±0.25		5:4	A4	1 OF 1	UA-20PMFP-LC7001	Joyy	2014/12/04		
.XX ±0.1		REV.	WC-REV.		CUSTOMER	APPROVED BY	DATE		
.XXX ±0.05		G	A.4		ALTW	Jerry	2014/12/04		
ANGLES ±1°		\varnothing : Inspection item		Amphenol LTW		安費諾亮泰企業股份有限公司		8 FMM10702-01-02A1	

THIS DOCUMENT IS SUBJECT TO CHANGE WITHOUT NOTICE. IT IS CONFIDENTIAL AND A PROPERTY OF Amphenol LTW. DISCLOSURE TO THIRD PARTY HAS TO BE AUTHORIZED BY Amphenol LTW.