



Chipsmall Limited consists of a professional team with an average of over 10 year of expertise in the distribution of electronic components. Based in Hongkong, we have already established firm and mutual-benefit business relationships with customers from,Europe,America and south Asia,supplying obsolete and hard-to-find components to meet their specific needs.

With the principle of “Quality Parts,Customers Priority,Honest Operation,and Considerate Service”,our business mainly focus on the distribution of electronic components. Line cards we deal with include Microchip,ALPS,ROHM,Xilinx,Pulse,ON,Everlight and Freescale. Main products comprise IC,Modules,Potentiometer,IC Socket,Relay,Connector.Our parts cover such applications as commercial,industrial, and automotives areas.

We are looking forward to setting up business relationship with you and hope to provide you with the best service and solution. Let us make a better world for our industry!



Contact us

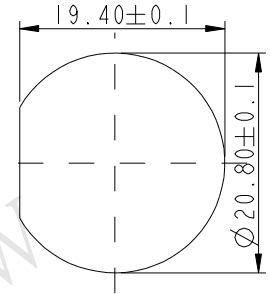
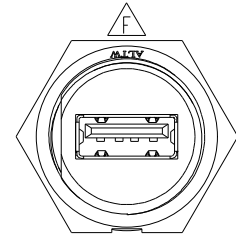
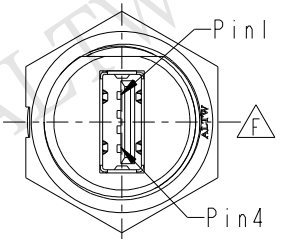
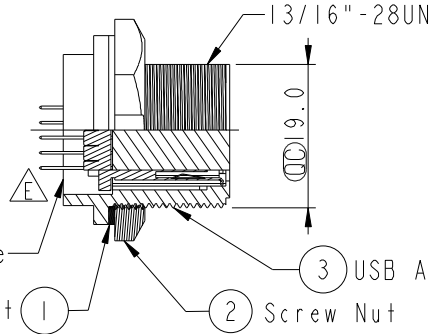
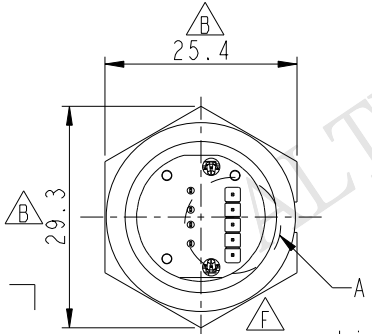
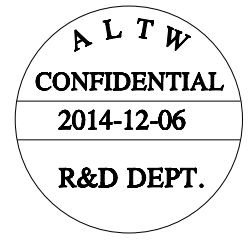
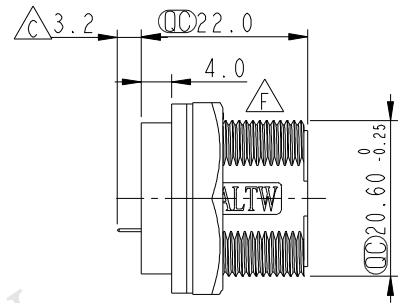
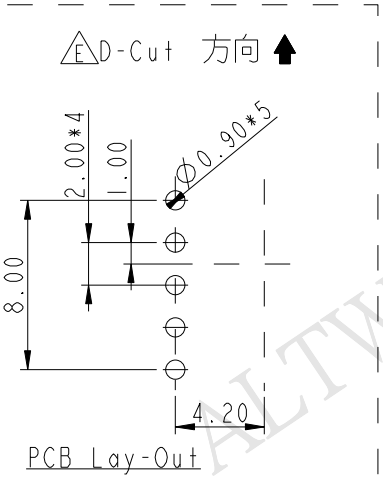
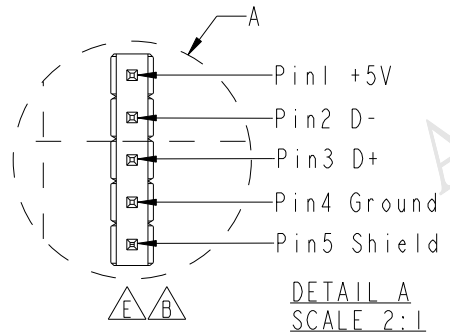
Tel: +86-755-8981 8866 Fax: +86-755-8427 6832

Email & Skype: info@chipsmall.com Web: www.chipsmall.com

Address: A1208, Overseas Decoration Building, #122 Zhenhua RD., Futian, Shenzhen, China



REV.	ECN NO.	DATE	SIGN	DESCRIPTION
D	LEN-7B0136	2007/11/15	Gao Ling	Modify Panel Thickness
E	LEN-880514	2008/08/18	Kathy Huang	Change The Pin Position
F	LEN1530157	2014/12/05	Jinhai	Change Logo LTW To ALTW



- Note:
- * \varnothing Important Dimensions.
 - * Waterproof Rate: IP68
 - * USB A: Female PCB Type, Gold Plated
 - * Use with waterproof cap or dust cap For Panel Thickness Max: 2.8mm
 - * Use without waterproof cap or dust cap For Panel Thickness Max: 4.0mm

UNIT:mm		
TOLERANCE	.X ±0.25	.XX ±0.1
	.XXX ±0.05	ANGLES ±1°

TITLE USB, Panel Screw M Conn. F Pin			
SCALE 1:1	SIZE A4	SHEET 1 OF 1	
REV. F	WC-REV. A.5	QC: Inspection item	

Amphenol LTW
安費諾亮泰企業股份有限公司

ITEM NO UA-20PMFP-SC8001	DRAWN BY Jinhai	DATE 2014-12-05
DWG NO UA-20PMFP-SC8001	CHECKED BY Tom	DATE 2014-12-05
CUSTOMER ALTW	APPROVED BY Jerry	DATE 2014-12-05

THIS DOCUMENT IS SUBJECT TO CHANGE WITHOUT NOTICE. IT IS CONFIDENTIAL AND A PROPERTY OF Amphenol LTW. DISCLOSURE TO THIRD PARTY HAS TO BE AUTHORIZED BY Amphenol LTW.