



Chipsmall Limited consists of a professional team with an average of over 10 year of expertise in the distribution of electronic components. Based in Hongkong, we have already established firm and mutual-benefit business relationships with customers from,Europe,America and south Asia,supplying obsolete and hard-to-find components to meet their specific needs.

With the principle of “Quality Parts,Customers Priority,Honest Operation,and Considerate Service”,our business mainly focus on the distribution of electronic components. Line cards we deal with include Microchip,ALPS,ROHM,Xilinx,Pulse,ON,Everlight and Freescale. Main products comprise IC,Modules,Potentiometer,IC Socket,Relay,Connector.Our parts cover such applications as commercial,industrial, and automotives areas.

We are looking forward to setting up business relationship with you and hope to provide you with the best service and solution. Let us make a better world for our industry!



## Contact us

Tel: +86-755-8981 8866 Fax: +86-755-8427 6832

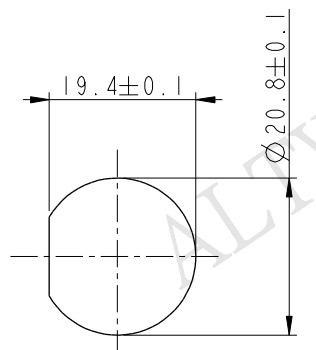
Email & Skype: info@chipsmall.com Web: www.chipsmall.com

Address: A1208, Overseas Decoration Building, #122 Zhenhua RD., Futian, Shenzhen, China

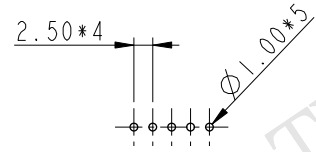


THIS DOCUMENT IS SUBJECT TO CHANGE WITHOUT NOTICE. IT IS CONFIDENTIAL AND A PROPERTY OF Amphenol LTW. DISCLOSURE TO THIRD PARTY HAS TO BE AUTHORIZED BY Amphenol LTW.

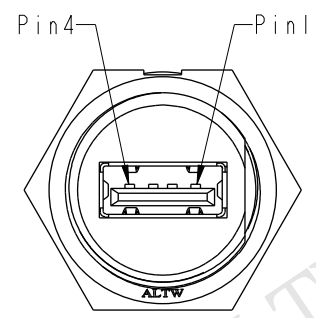
| REV. | ECN NO.    | DATE       | SIGN  | DESCRIPTION       |
|------|------------|------------|-------|-------------------|
| D    | LE31370270 | 2013/07/25 | Cary  | Add Half Finished |
| E    | LEN1380180 | 2013/08/22 | Cary  | Update The View   |
| F    | LEN1640310 | 2016/04/13 | Vicky | Update Logo       |



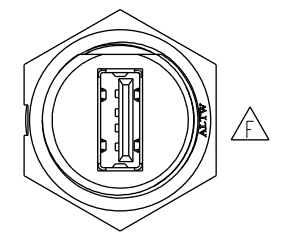
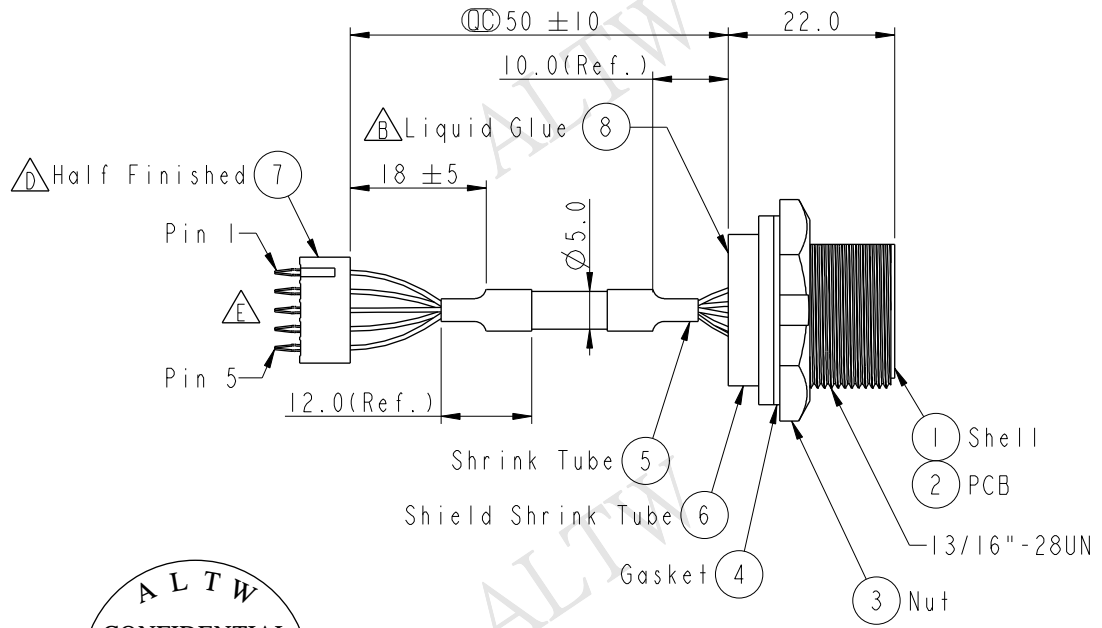
Recommended Panel Cut-Out



PCB Layout



Pin Assignments Front View



Waterproof Rate: IP68  
IP68: 1M depth of water in 24hours

ALTW  
CONFIDENTIAL  
2016-04-13  
R&D DEPT.

|         |             |       |        |
|---------|-------------|-------|--------|
| 5       | Drain       | 地線    | Shield |
| 4       | Black 24AWG | 黑     | 4      |
| 3       | Green 28AWG | 綠     | 3      |
| 2       | White 28AWG | 白     | 2      |
| 1       | Red 24AWG   | 紅     | 1      |
| Housing | Wire Color  | Conn. |        |
| Pin Out |             |       |        |

Twist

ALTW  
DCC. DEPT.  
CONFIDENTIAL  
2016.04.25  
ISSUED

- Note:
- \*  $\text{CC}$  Important Dimension.
  - \* Shell: ABS 94V-0, Black
  - \* Connector: USB A Female, Gold Plated
  - \* Gasket: EPDM, Black
  - \* Panel Nut: Nylon+GF, Black
  - \* Liquid Glue: Black
  - \* Housing: PH=2.50mm
  - \* Cable: USB2.0 28AWG\*1P+24AWG\*2C+AL/MY+D+B, Black PVC Jacket Resist UV, OD=5.0mm
  - \* Use with waterproof cap or dust cap For Panel Thickness Max: 2.8mm
  - \* Use without waterproof cap or dust cap For Panel Thickness Max: 4.0mm

|           |       |
|-----------|-------|
| UNIT:mm   |       |
| TOLERANCE |       |
| .X        | ±0.25 |
| .XX       | ±0.1  |
| .XXX      | ±0.05 |
| ANGLES    | ±1°   |

|   |                |                               |  |
|---|----------------|-------------------------------|--|
| TITLE<br>Panel Screw<br>20A M Conn. F Pin |                |                               |  |
| SCALE<br>1:1                              | SIZE<br>A4     | SHEET<br>1 OF 1               |  |
| REV.<br>F                                 | WC-REV.<br>C.2 | $\text{CC}$ : Inspection item |  |

**Amphenol LTW**  
安費諾亮泰企業股份有限公司

|                             |                     |                    |
|-----------------------------|---------------------|--------------------|
| ITEM NO<br>UA-20PMFP-SC8002 | DRAWN BY<br>Vicky   | DATE<br>2016-04-13 |
| DWG NO<br>UA-20PMFP-SC8002  | CHECKED BY<br>Rita  | DATE<br>2016-04-13 |
| CUSTOMER<br>ALTW            | APPROVED BY<br>Lisa | DATE<br>2016-04-13 |