



Chipsmall Limited consists of a professional team with an average of over 10 year of expertise in the distribution of electronic components. Based in Hongkong, we have already established firm and mutual-benefit business relationships with customers from,Europe,America and south Asia,supplying obsolete and hard-to-find components to meet their specific needs.

With the principle of “Quality Parts,Customers Priority,Honest Operation,and Considerate Service”,our business mainly focus on the distribution of electronic components. Line cards we deal with include Microchip,ALPS,ROHM,Xilinx,Pulse,ON,Everlight and Freescale. Main products comprise IC,Modules,Potentiometer,IC Socket,Relay,Connector.Our parts cover such applications as commercial,industrial, and automotives areas.

We are looking forward to setting up business relationship with you and hope to provide you with the best service and solution. Let us make a better world for our industry!



Contact us

Tel: +86-755-8981 8866 Fax: +86-755-8427 6832

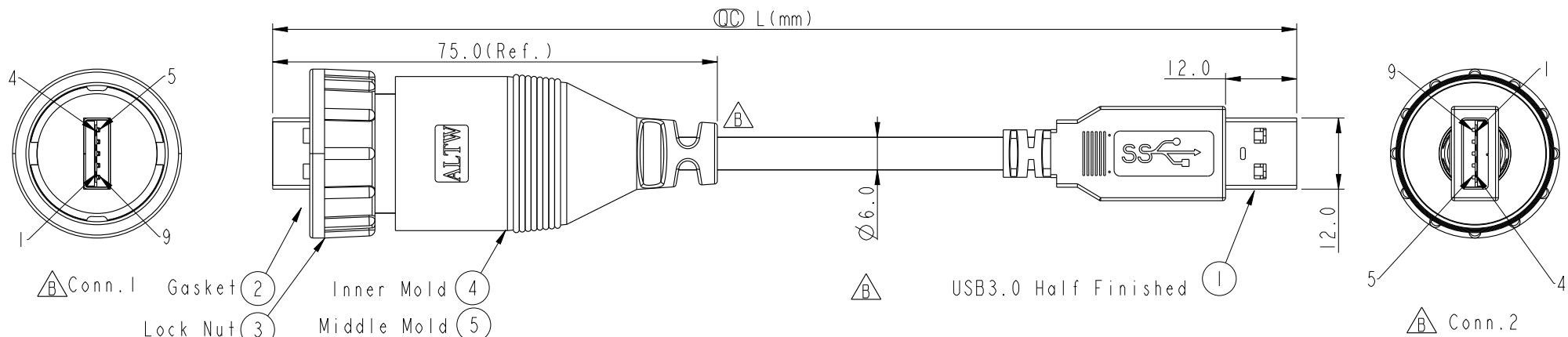
Email & Skype: info@chipsmall.com Web: www.chipsmall.com

Address: A1208, Overseas Decoration Building, #122 Zhenhua RD., Futian, Shenzhen, China



REV.	ECN NO.	DATE	SIGN	DESCRIPTION
B	LEN1760377-379	2017-06-10	Ouyang	Change Conn & Change Cable OD

THIS DOCUMENT IS SUBJECT TO CHANGE WITHOUT NOTICE. IT IS CONFIDENTIAL AND A PROPERTY OF Amphenol LTW. DISCLOSURE TO THIRD PARTY HAS TO BE AUTHORIZED BY Amphenol LTW.

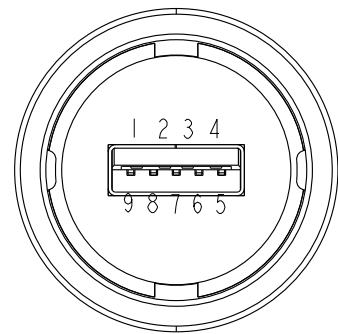


- △ Conn.1 Gasket (2)
- Lock Nut (3)
- Inner Mold (4)
- Middle Mold (5)
- Outer Mold (6)
- Color:Black

UA-30BFM-SD7B XX

XX : 01~03Meters
 01 : 01Meter
 02 : 02Meters
 ...
 03 : 03Meters

Cable Length(L):01~03Meters



Pin Assignments
Front View

Shield	Braid	編織	Shield	Shield	
9	Orange	28AWG 橙	SDP2+	9	Twist
8	Purple	28AWG 紫	SDP2-	8	
7	Drain	28AWG	SDP2_Drain	7	Twist
6	Yellow	28AWG 黃	SDP1+	6	
5	Blue	28AWG 藍	SDP1-	5	Twist
7	Drain	28AWG	SDP1_Drain	7	
4	Black	28AWG 黑	GND_PWRrt	4	Twist
3	Green	28AWG 綠	UTP_D+	3	
2	White	28AWG 白	UTP_D-	2	Twist
1	Red	28AWG 紅	PWR	1	
M Plug	Wire Color		Signal Name	M Plug	

Pin Out

Note:

- * (⊕) Important Dimension To Check.
- * Waterproof Rate: IP67
- * Jack: USB3.0-A Male Solder
- * Gasket: Silicone, Gray
- * Lock Nut: Nylon+GF, Black
- * Cable: UL2725(IPx28#+DAM)*2+1P*28#+2C*28#+ABD, PVC Jacket, UV Resistant, OD=6.0mm, Black
- * Cable Length Tolerance: 01M:40mm
02M~03M:±60mm
- * All of Drain twisted together.

UNIT:mm TOLERANCE ±0.5	TITLE USB 3.0, Cable Lock F Conn M Pin to A Plug			Amphenol LTW 安費諾亮泰企業股份有限公司	ITEM NO	DRAWN BY Ouyang	DATE 2017-06-10
	SCALE 1:1	SIZE A4	SHEET 1 OF 1		DWG NO UA-30AFM-LD7BXX	CHECKED BY Feng-li	DATE 2017-06-10
	REV. B	WC-REV. A.2	(⊕): Inspection item		CUSTOMER ALTW	APPROVED BY Jerry	DATE 2017-06-10