



Chipsmall Limited consists of a professional team with an average of over 10 year of expertise in the distribution of electronic components. Based in Hongkong, we have already established firm and mutual-benefit business relationships with customers from,Europe,America and south Asia,supplying obsolete and hard-to-find components to meet their specific needs.

With the principle of “Quality Parts,Customers Priority,Honest Operation,and Considerate Service”,our business mainly focus on the distribution of electronic components. Line cards we deal with include Microchip,ALPS,ROHM,Xilinx,Pulse,ON,Everlight and Freescale. Main products comprise IC,Modules,Potentiometer,IC Socket,Relay,Connector.Our parts cover such applications as commercial,industrial, and automotives areas.

We are looking forward to setting up business relationship with you and hope to provide you with the best service and solution. Let us make a better world for our industry!



## Contact us

Tel: +86-755-8981 8866 Fax: +86-755-8427 6832

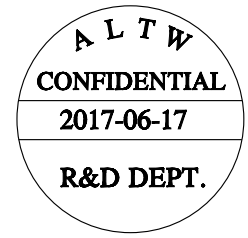
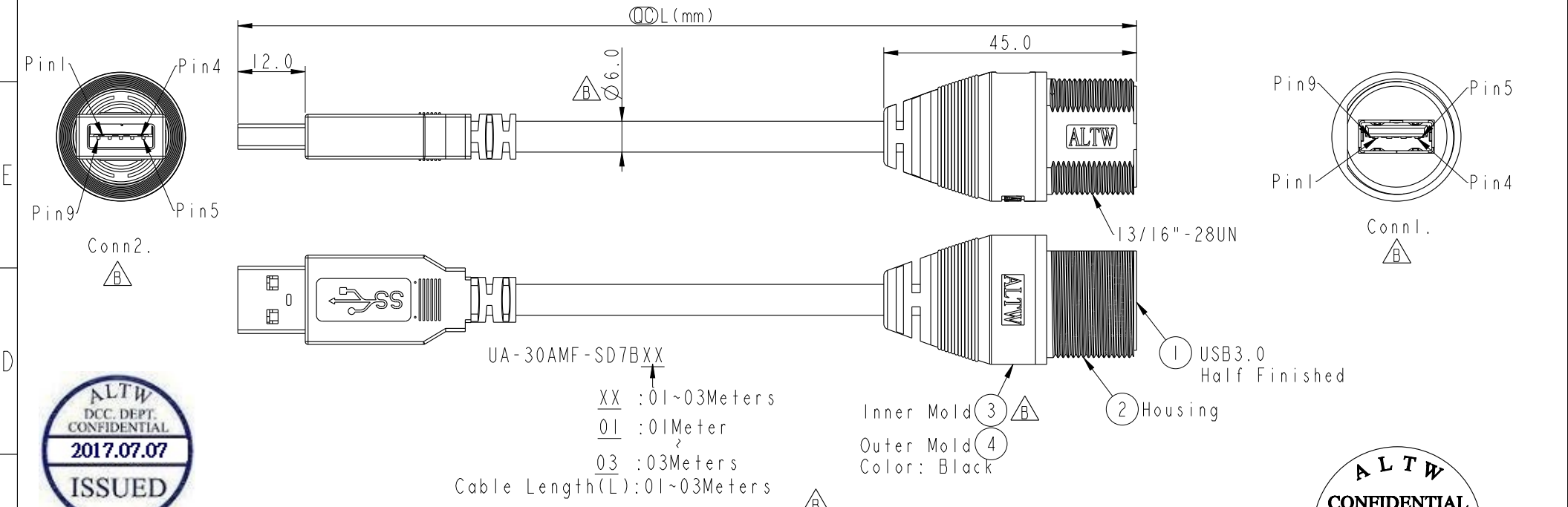
Email & Skype: info@chipsmall.com Web: www.chipsmall.com

Address: A1208, Overseas Decoration Building, #122 Zhenhua RD., Futian, Shenzhen, China



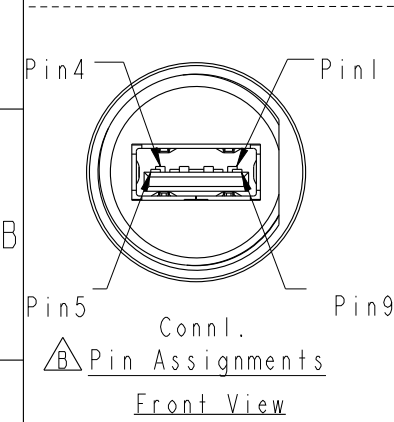
THIS DOCUMENT IS SUBJECT TO CHANGE WITHOUT NOTICE. IT IS CONFIDENTIAL AND A PROPERTY OF AMPHENOL LTW. DISCLOSURE TO THIRD PARTY HAS TO BE AUTHORIZED BY AMPHENOL LTW.

REV.	ECN NO.	DATE	SIGN	DESCRIPTION
A	Release	2013-04-09	Kevin Wang	
B	LE31761072-074	2017-07-07	Ouyang	Delete Inner Mold & Update cable



Shield	Braid	編織	Shield	Shield	
9	Orange 28AWG	橙	SDP2+	9	Twist
8	Purple 28AWG	紫	SDP2-	8	
7	Drain 28AWG		SDP2_Drain	7	Twist
6	Yellow 28AWG	黃	SDP1+	6	
5	Blue 28AWG	藍	SDP1-	5	Twist
7	Drain 28AWG		SDP1_Drain	7	
4	Black 28AWG	黑	GND_PWRrt	4	Twist
3	Green 28AWG	綠	UTP_D+	3	
2	White 28AWG	白	UTP_D-	2	Twist
1	Red 28AWG	紅	PWR	1	
Conn2.	Wire Color		Signal Name	Conn1.	

Note:  
 \*  $\varnothing$  Important Dimension.  
 \* Conn.1 Waterproof Rate: IP67  
 \* Jack: USB3.0-A Female Solder  
 \* Housing: ABS, 94-V0, Black  
 \* Cable: UL2725(IPx28#+DAM)\*2+1P\*28#+2C\*28#+ABD, PVC Jacket, UV Resistant, OD=6.0mm, Black  
 \* Cable Length Tolerance: 01M:±40mm  
 02M~03M:±60mm  
 \* All of Drain twisted together.



**UNIT:mm**

TOLERANCE  
 .X ±0.25  
 .XX ±0.1  
 .XXX ±0.05  
 ANGLES ±1°

TITLE: USB3.0 Female Screw to A plug

SCALE: 1:2    SIZE: A4    SHEET: 1 OF 1

REV. B    WC-REV. A.5     $\varnothing$ : Inspection item

**Amphenol LTW**  
 安費諾亮泰企業股份有限公司

ITEM NO.	DRAWN BY	DATE
DWG NO.	Checked By	DATE
CUSTOMER	APPROVED BY	DATE

ALTW