



Chipsmall Limited consists of a professional team with an average of over 10 year of expertise in the distribution of electronic components. Based in Hongkong, we have already established firm and mutual-benefit business relationships with customers from,Europe,America and south Asia,supplying obsolete and hard-to-find components to meet their specific needs.

With the principle of "Quality Parts,Customers Priority,Honest Operation,and Considerate Service",our business mainly focus on the distribution of electronic components. Line cards we deal with include Microchip,ALPS,ROHM,Xilinx,Pulse,ON,Everlight and Freescale. Main products comprise IC,Modules,Potentiometer,IC Socket,Relay,Connector.Our parts cover such applications as commercial,industrial, and automotives areas.

We are looking forward to setting up business relationship with you and hope to provide you with the best service and solution. Let us make a better world for our industry!



Contact us

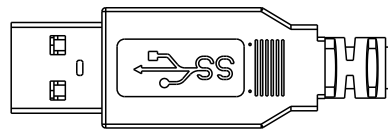
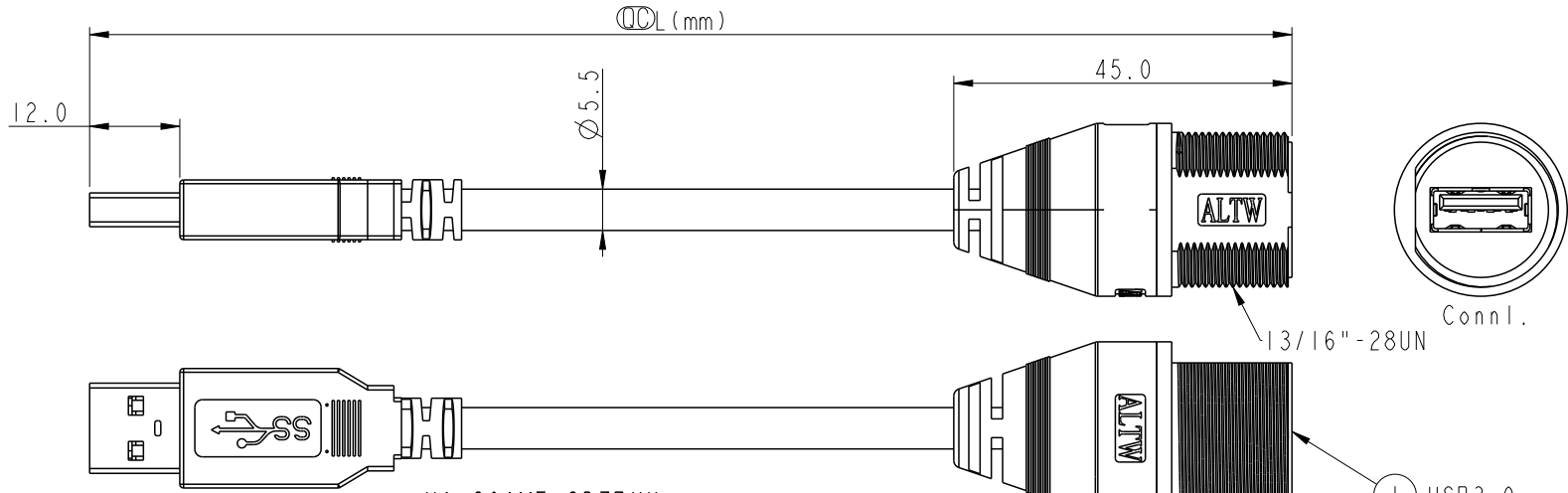
Tel: +86-755-8981 8866 Fax: +86-755-8427 6832

Email & Skype: info@chipsmall.com Web: www.chipsmall.com

Address: A1208, Overseas Decoration Building, #122 Zhenhua RD., Futian, Shenzhen, China



REV.	ECN NO.	DATE	SIGN	DESCRIPTION
A	Release	2013-04-09	Kevin Wang	



UA-30AMF-SD7BXX

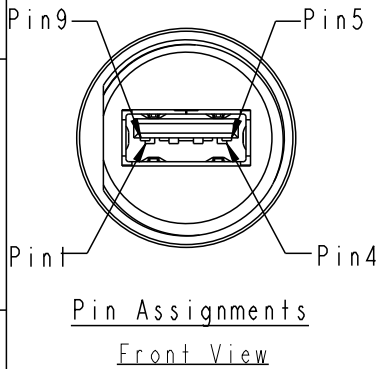
XX : 01~03Meters Inner Mold ③
 01 : 01Meter Inner Mold ④
 03 : 03Meters Outer Mold ⑤
 Cable Length(L): 01~03Meters Color: Black

① USB3.0 Half Finished

② Housing

ALTW
 CONFIDENTIAL
 2013-04-09
 R&D DEPT.

Shield	Braid	編織	Shield	
9	Orange 28AWG	橙	9	Twist
8	Purple 28AWG	紫	8	
7	Drain 28AWG		7	Twist
6	Yellow 28AWG	黃	6	
5	Blue 28AWG	藍	5	Twist
7	Drain 28AWG		7	
4	Black 28AWG	黑	4	Twist
3	Green 28AWG	綠	3	
2	White 28AWG	白	2	Twist
1	Red 28AWG	紅	1	
Conn.1	Wire Color		Conn.2	
Pin Out				



Note:
 * \varnothing Important Dimension.
 * Conn.1 Waterproof Rate: IP67
 * Jack: USB3.0-A Female Solder
 * Housing: ABS, 94-V0, Black
 * Cable: USB 3.0, (1P*28#+D+A1/My)*2+1P*28#+2C*28#+F+A1+B, Black, PVC Jacket, UV Resistant, OD=5.5mm
 * Cable Length Tolerance: 01M:±40mm
 02M~03M:±60mm
 * All of Drain twisted together.

UNIT:mm TOLERANCE .X ±0.25 .XX ±0.1 .XXX ±0.05 ANGLES ±1°	TITLE USB3.0 Female Screw to A plug		Amphenol LTW 安費諾亮泰企業股份有限公司		ITEM NO	DRAWN BY	DATE			
	SCALE	1:2			SIZE	A4	DWG NO	UA-30AMF-SD7BXX	CHECKED BY	Micky
	REV.	A	WC-REV.	A.2	CUSTOMER	ALTW	APPROVED BY	Maslow	DATE	2013-04-09
	SHEET 1 OF 1 \varnothing : Inspection item									

THIS DOCUMENT IS SUBJECT TO CHANGE WITHOUT NOTICE. IT IS CONFIDENTIAL AND A PROPERTY OF Amphenol LTW. DISCLOSURE TO THIRD PARTY HAS TO BE AUTHORIZED BY Amphenol LTW.