



Chipsmall Limited consists of a professional team with an average of over 10 year of expertise in the distribution of electronic components. Based in Hongkong, we have already established firm and mutual-benefit business relationships with customers from,Europe,America and south Asia,supplying obsolete and hard-to-find components to meet their specific needs.

With the principle of "Quality Parts,Customers Priority,Honest Operation,and Considerate Service",our business mainly focus on the distribution of electronic components. Line cards we deal with include Microchip,ALPS,ROHM,Xilinx,Pulse,ON,Everlight and Freescale. Main products comprise IC,Modules,Potentiometer,IC Socket,Relay,Connector.Our parts cover such applications as commercial,industrial, and automotives areas.

We are looking forward to setting up business relationship with you and hope to provide you with the best service and solution. Let us make a better world for our industry!



Contact us

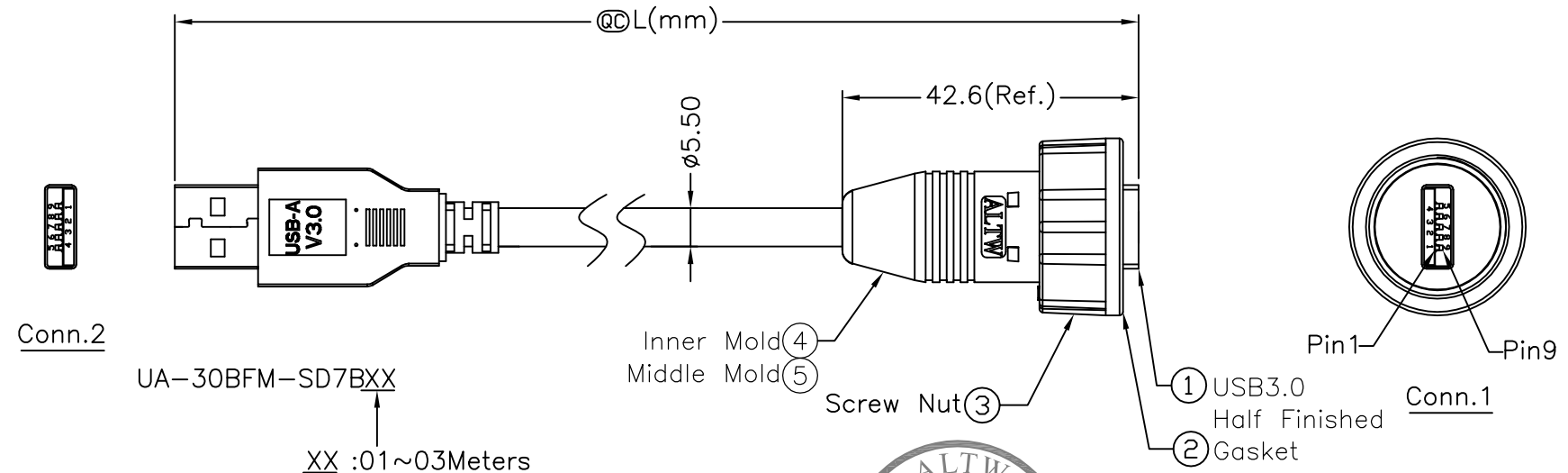
Tel: +86-755-8981 8866 Fax: +86-755-8427 6832

Email & Skype: info@chipsmall.com Web: www.chipsmall.com

Address: A1208, Overseas Decoration Building, #122 Zhenhua RD., Futian, Shenzhen, China



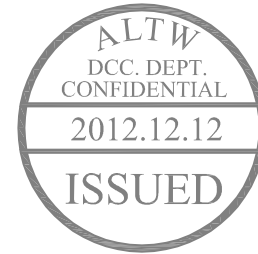
5	6	7	8
REV. A	ECN NO. Release	DATE 2012/12/06	SIGN Kevin Wang
DESCRIPTION			



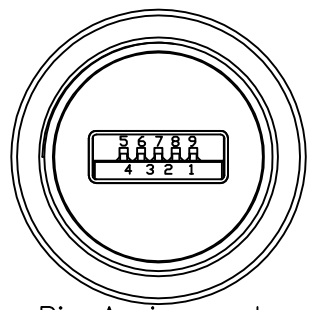
Conn.2

UA-30BFM-SD7BXX
 XX :01~03Meters
 01 :01Meter
 03 :03Meters

Cable Length(L):01~03Meters



Shield	Braid	編織	Shield
9	Orange 28AWG	橙	9
8	Purple 28AWG	紫	8
7	Drain 28AWG		7
6	Yellow 28AWG	黃	6
5	Blue 28AWG	藍	5
	Drain 28AWG		
4	Black 28AWG	黑	4
3	Green 28AWG	綠	3
2	White 28AWG	白	2
1	Red 28AWG	紅	1
Conn.1	Wire Color		Conn.2



Pin Assignments
Front View

- Note:
- * @C Important Dimension.
 - * Waterproof Rate: IP67
 - * Jack: USB3.0-A Male Solder
 - * Gasket: EPDM, Black
 - * Screw Nut: Nylon+GF, Black
 - * Cable:USB 3.0,(1P*28#+D+Al/My)*2+1P*28#+2C*28#+F+Al+B, Black, PVC Jacket, UV Resistant,OD=5.5mm
 - * Cable Length Tolerance:01M:±40mm
02M~03M:±60mm
 - * All of Drain twisted together.

UNIT:mm	TITLE USB 3.0, Cable Screw F Conn M Pin to A Plug	Amphenol LTW		ITEM NO	DRAWN BY Kevin Wang	DATE 2012/12/06
TOLERANCE ±0.5mm	SCALE Free	安費諾亮泰企業股份有限公司		DWG NO UA-30BFM-SD7BXX	CHECKED BY Micky	DATE 2012/12/06
	REV. A	SIZE A4	@C :Inspection Item	CUSTOMER ALTW	APPROVED BY Victor	DATE 2012/12/06

THIS DOCUMENT IS SUBJECT TO CHANGE WITHOUT NOTICE. IT IS CONFIDENTIAL AND A PROPERTY OF Amphenol LTW. DISCLOSURE TO THIRD PARTY HAS TO BE AUTHORIZED BY Amphenol LTW.

F
F
D
C
B
A

1
2
3
4
5
6
7
8