



Chipsmall Limited consists of a professional team with an average of over 10 year of expertise in the distribution of electronic components. Based in Hongkong, we have already established firm and mutual-benefit business relationships with customers from,Europe,America and south Asia,supplying obsolete and hard-to-find components to meet their specific needs.

With the principle of “Quality Parts,Customers Priority,Honest Operation,and Considerate Service”,our business mainly focus on the distribution of electronic components. Line cards we deal with include Microchip,ALPS,ROHM,Xilinx,Pulse,ON,Everlight and Freescale. Main products comprise IC,Modules,Potentiometer,IC Socket,Relay,Connector.Our parts cover such applications as commercial,industrial, and automotives areas.

We are looking forward to setting up business relationship with you and hope to provide you with the best service and solution. Let us make a better world for our industry!



## Contact us

Tel: +86-755-8981 8866 Fax: +86-755-8427 6832

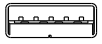
Email & Skype: info@chipsmall.com Web: www.chipsmall.com

Address: A1208, Overseas Decoration Building, #122 Zhenhua RD., Futian, Shenzhen, China

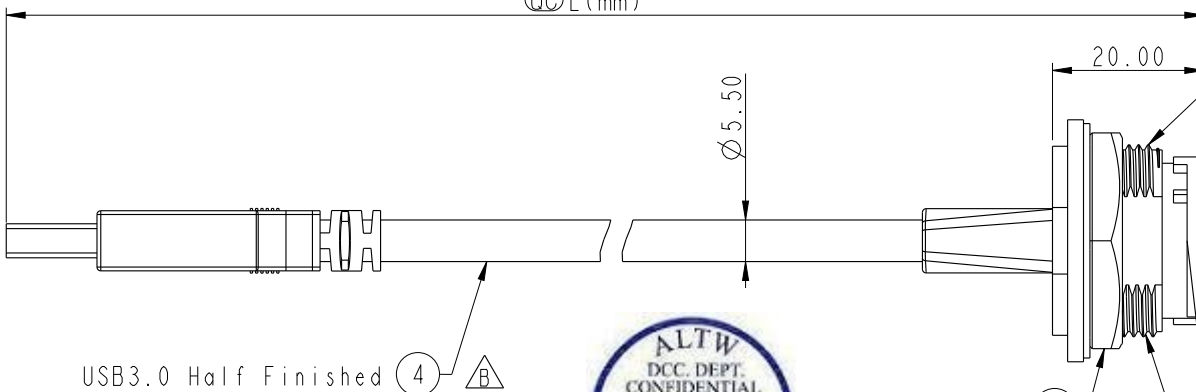


**ALTW**  
**CONFIDENTIAL**  
 2013-11-26  
 R&D DEPT.

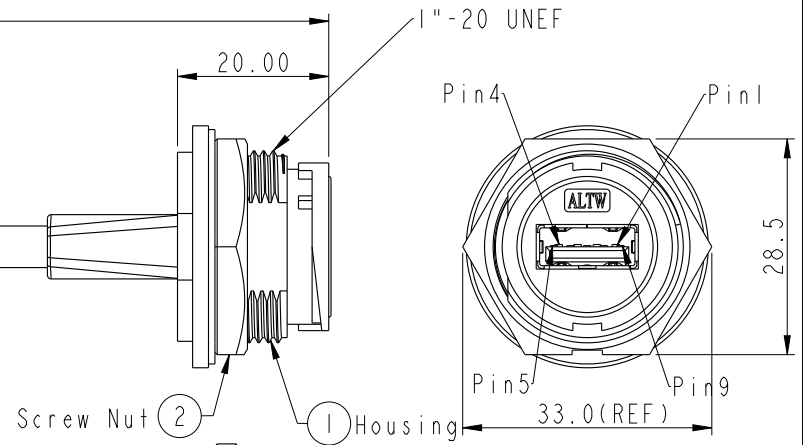
REV.	ECN NO.	DATE	SIGN	DESCRIPTION
B	LE313C004I	2013-11-26	Tom_gu	Change Tolerance And Length



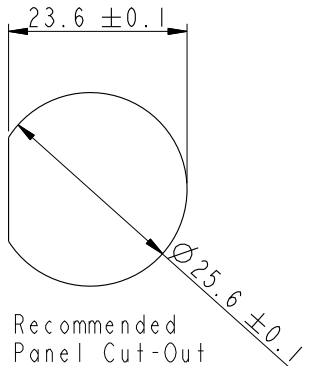
Conn. 2



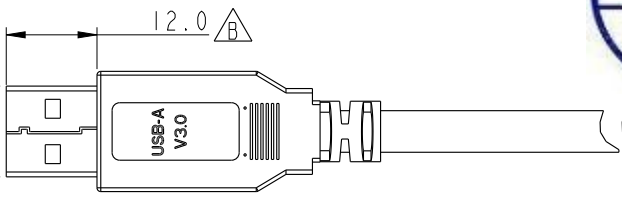
USB3.0 Half Finished ④ △



Conn. 1  
 Waterproof Rate: IP67



Recommended Panel Cut-Out



With Liquid Glue

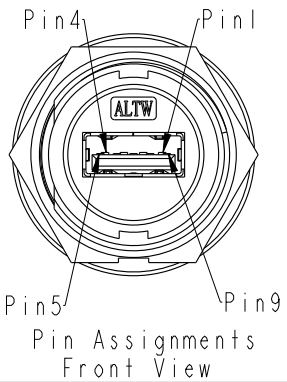
Gasket ③

UA-30PMF-LD7B XX

△ XX	150~300mm
15	: 150mm
20	: 200mm
30	: 300mm

Cable Length(L): 150~300mm

- \* Ⓞ Important Dimension.
- \* Housing: ABS, Black
- \* Screw Nut: Nylon+GF, Black
- \* Gasket: Silicone, Gray
- \* Jack: USB3.0-A Female Solder
- \* Cable: USB 3.0, (IP\*28#+D+Al/My)\*2+IP\*28#+2C\*28#+F+Al+B, PVC Jacket, UV Resistant, OD=5.5mm, Black
- \* Cable Length Tolerance: 150MM~300MM: ±15mm
- \* Use with waterproof cap or dust cap  
Panel Thickness max: 2.8mm
- \* Use without waterproof cap or dust cap  
Panel Thickness max: 4.0mm
- \* All of Drain twisted together.



Pin Assignments Front View

Shield	Braid	編織	Shield	
9	Orange	28AWG	橙	Twist
8	Purple	28AWG	紫	
7	Drain	28AWG	地線	Twist
6	Yellow	28AWG	黃	
5	Blue	28AWG	藍	Twist
	Drain	28AWG	地線	
4	Black	28AWG	黑	Twist
3	Green	28AWG	綠	
2	White	28AWG	白	Twist
1	Red	28AWG	紅	
Conn. 1	Wire Color		Conn. 2	
	Pin Out			

UNIT: mm

TOLERANCE	
.X	±0.25
.XX	±0.1
.XXX	±0.05
ANGLES	±1°

TITLE USB3.0 Female Lock To A Plug			
SCALE 1:1	SIZE A4	SHEET 1 OF 1	
REV. B	WC-REV. A.1	Ⓞ: Inspection item	

**Amphenol LTW**  
 安費諾亮泰企業股份有限公司

ITEM NO.	DWG NO.	CUSTOMER	DRAWN BY	CHECKED BY	APPROVED BY	DATE
	UA-30PMF-LD7BXX	ALTW	Tom_gu	Mafei	Victor	2013-11-26

THIS DOCUMENT IS SUBJECT TO CHANGE WITHOUT NOTICE. IT IS CONFIDENTIAL AND A PROPERTY OF Amphenol LTW. DISCLOSURE TO THIRD PARTY HAS TO BE AUTHORIZED BY Amphenol LTW.