



Chipsmall Limited consists of a professional team with an average of over 10 year of expertise in the distribution of electronic components. Based in Hongkong, we have already established firm and mutual-benefit business relationships with customers from,Europe,America and south Asia,supplying obsolete and hard-to-find components to meet their specific needs.

With the principle of “Quality Parts,Customers Priority,Honest Operation,and Considerate Service”,our business mainly focus on the distribution of electronic components. Line cards we deal with include Microchip,ALPS,ROHM,Xilinx,Pulse,ON,Everlight and Freescale. Main products comprise IC,Modules,Potentiometer,IC Socket,Relay,Connector.Our parts cover such applications as commercial,industrial, and automotives areas.

We are looking forward to setting up business relationship with you and hope to provide you with the best service and solution. Let us make a better world for our industry!



Contact us

Tel: +86-755-8981 8866 Fax: +86-755-8427 6832

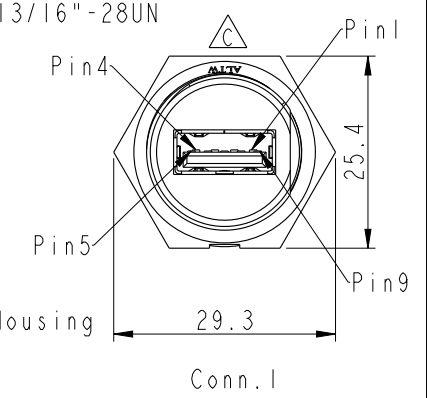
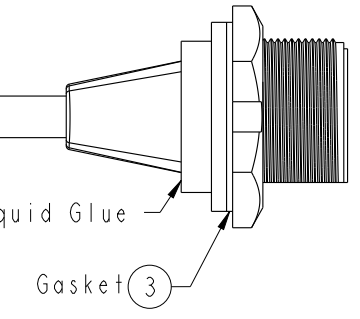
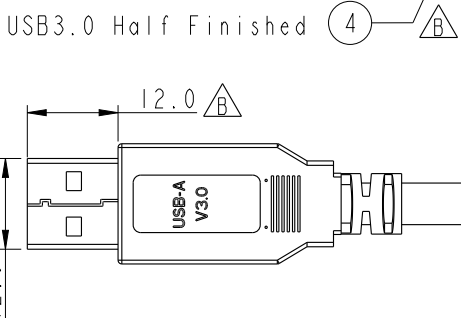
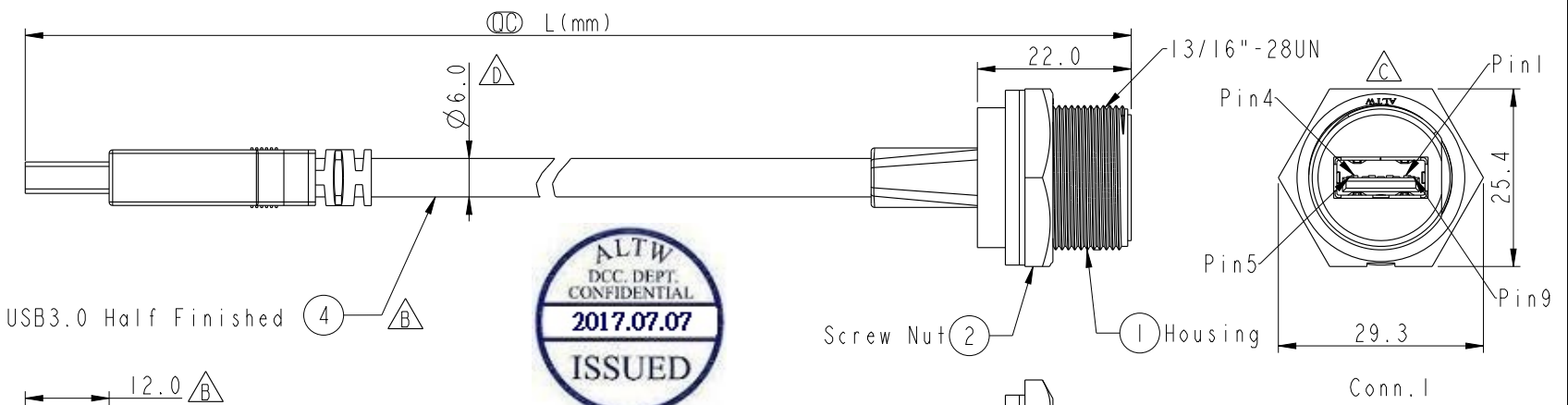
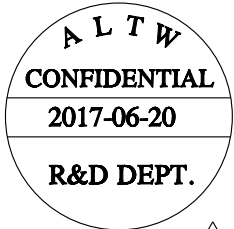
Email & Skype: info@chipsmall.com Web: www.chipsmall.com

Address: A1208, Overseas Decoration Building, #122 Zhenhua RD., Futian, Shenzhen, China



THIS DOCUMENT IS SUBJECT TO CHANGE WITHOUT NOTICE. IT IS CONFIDENTIAL AND A PROPERTY OF AMPHENOL LTW. DISCLOSURE TO THIRD PARTY HAS TO BE AUTHORIZED BY AMPHENOL LTW.

REV.	ECN NO.	DATE	SIGN	DESCRIPTION
C	LEN1570126~8	2015/06/24	Jason.Yu	Add Conn.2 Pin Out & LOGO
D	LEN1670201~203	2016/07/13	Jinhai	Change Supplier
E	LEN1760405-407	2017-07-07	Ouyang	Update Pin Out



Waterproof Rate: IP67

UA-30PMF-SD7BXX

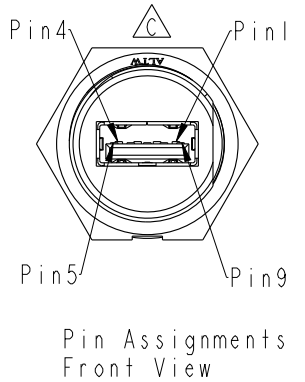
XX	: 150~300mm
15	: 150mm
20	: 200mm
30	: 300mm

Cable Length(L): 150~300mm

Shield	Braid	編織	Shield	Shield	
9	Orange	28AWG 橙	SDP2+	9	Twist
8	Purple	28AWG 紫	SDP2-	8	
7	Drain	28AWG	SDP2_Drain	7	Twist
6	Yellow	28AWG 黃	SDP1+	6	
5	Blue	28AWG 藍	SDP1-	5	Twist
7	Drain	28AWG	SDP1_Drain	7	
4	Black	28AWG 黑	GND_PWRrt	4	Twist
3	Green	28AWG 綠	UTP_D+	3	
2	White	28AWG 白	UTP_D-	2	Twist
1	Red	28AWG 紅	PWR	1	
Jack	Wire Color		Signal Name	Plug	

- Note:
- * Ⓞ Important Dimension.
 - * Housing: ABS, Black
 - * Screw Nut: Nylon+GF, Black
 - * Gasket: Silicone, Gray
 - * Jack: USB3.0-A Female Solder
 - * Cable: UL2725 (IP*28#+DMA)*2C+IP*28#+2C*28#+ADB, PVC, UV Resistant, OD=6.0mm, Black
 - * Cable Length Tolerance: 150~300mm: ±15mm
 - * Use with waterproof cap or dust cap
Panel Thickness max: 2.8mm
 - * Use without waterproof cap or dust cap
Panel Thickness max: 4.0mm
 - * All of Drain twisted together.

Recommended Panel Cut-Out



UNIT:mm

TOLERANCE ±0.5

TITLE: USB3.0 Male A Type

SCALE: 1:1 SIZE: A4 SHEET: 1 OF 1

REV. E WC-REV. B.5

Ⓞ: Inspection item

Amphenol LTW
安費諾亮泰企業股份有限公司

ITEM NO	DRAWN BY	DATE
DWG NO	Checked By	DATE
CUSTOMER	APPROVED BY	DATE

ALTW