



Chipsmall Limited consists of a professional team with an average of over 10 year of expertise in the distribution of electronic components. Based in Hongkong, we have already established firm and mutual-benefit business relationships with customers from,Europe,America and south Asia,supplying obsolete and hard-to-find components to meet their specific needs.

With the principle of “Quality Parts,Customers Priority,Honest Operation,and Considerate Service”,our business mainly focus on the distribution of electronic components. Line cards we deal with include Microchip,ALPS,ROHM,Xilinx,Pulse,ON,Everlight and Freescale. Main products comprise IC,Modules,Potentiometer,IC Socket,Relay,Connector.Our parts cover such applications as commercial,industrial, and automotives areas.

We are looking forward to setting up business relationship with you and hope to provide you with the best service and solution. Let us make a better world for our industry!



Contact us

Tel: +86-755-8981 8866 Fax: +86-755-8427 6832

Email & Skype: info@chipsmall.com Web: www.chipsmall.com

Address: A1208, Overseas Decoration Building, #122 Zhenhua RD., Futian, Shenzhen, China



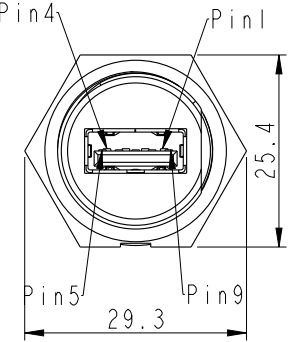
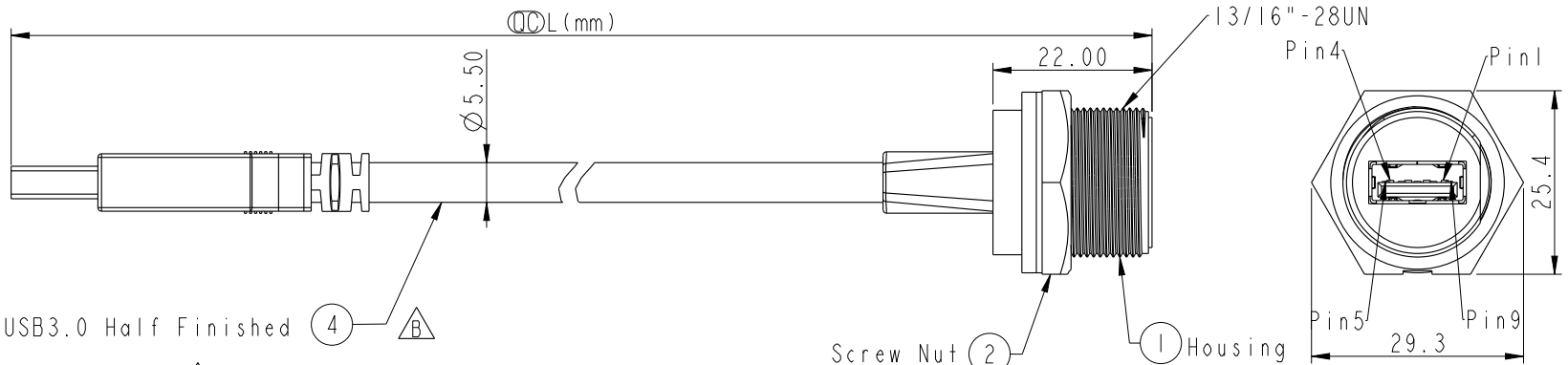
THIS DOCUMENT IS SUBJECT TO CHANGE WITHOUT NOTICE. IT IS CONFIDENTIAL AND A PROPERTY OF AMPHENOL LTW. DISCLOSURE TO THIRD PARTY HAS TO BE AUTHORIZED BY AMPHENOL LTW.

REV.	ECN NO.	DATE	SIGN	DESCRIPTION
B	LE313C0042	2013-11-25	Tom_gu	Change Tolerance And Length

ALTW
CONFIDENTIAL
 2013-11-25
R&D DEPT.



Conn.2



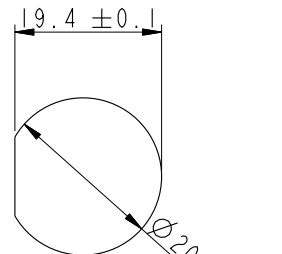
Conn.1

Waterproof Rate: IP67

UA-30PMF-SD7BXX

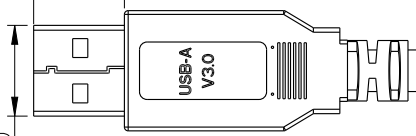
△	XX	: 150~300mm
	15	: 150mm
	20	: 200mm
	30	: 300mm

Cable Length(L): 150~300mm



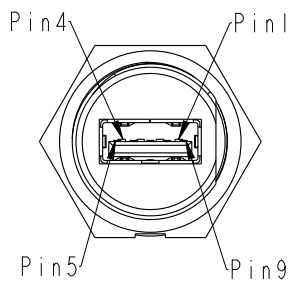
Recommended Panel Cut-Out

12.0 △



With Liquid Glue

Gasket ③

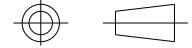


Pin Assignments Front View

Shield	Braid	編織	Shield	
9	Orange	28AWG	橙	9
8	Purple	28AWG	紫	8
7	Drain	28AWG	地線	7
6	Yellow	28AWG	黃	6
5	Blue	28AWG	藍	5
	Drain	28AWG	地線	
4	Black	28AWG	黑	4
3	Green	28AWG	綠	3
2	White	28AWG	白	2
1	Red	28AWG	紅	1
Conn.1	Wire Color		Conn.2	
	Pin Out			

- Note:
- * Ⓞ Important Dimension.
 - * Housing: ABS, Black
 - * Screw Nut: Nylon+GF, Black
 - * Gasket: Silicone, Gray
 - * Jack: USB3.0-A Female Solder
 - * Cable: USB 3.0, (1P*28#+D+Al/My)*2+1P*28#+2C*28#+F+Al+B, PVC Jacket, UV Resistant, OD=5.5mm, Black
 - * Cable Length Tolerance: 150~300mm:±15mm
 - * Use with waterproof cap or dust cap
Panel Thickness max: 2.8mm
 - * Use without waterproof cap or dust cap
Panel Thickness max: 4.0mm
 - * All of Drain twisted together.

UNIT:mm



TOLERANCE	
.X	±0.25
.XX	±0.1
.XXX	±0.05
ANGLES	±1°

TITLE USB3.0 Male A Type			
SCALE	1:1	SIZE	A4
REV.	B	SHEET	1 OF 1
WC-REV.	A.1	QC	Inspection item

Amphenol LTW
 安費諾亮泰企業股份有限公司

ITEM NO	DRAWN BY	DATE
	Tom_gu	2013-11-25
DWG NO	CHECKED BY	DATE
UA-30PMF-SD7BXX	Mafei	2013-11-25
CUSTOMER	APPROVED BY	DATE
ALTW	Victor	2013-11-25