



Chipsmall Limited consists of a professional team with an average of over 10 year of expertise in the distribution of electronic components. Based in Hongkong, we have already established firm and mutual-benefit business relationships with customers from,Europe,America and south Asia,supplying obsolete and hard-to-find components to meet their specific needs.

With the principle of “Quality Parts,Customers Priority,Honest Operation,and Considerate Service”,our business mainly focus on the distribution of electronic components. Line cards we deal with include Microchip,ALPS,ROHM,Xilinx,Pulse,ON,Everlight and Freescale. Main products comprise IC,Modules,Potentiometer,IC Socket,Relay,Connector.Our parts cover such applications as commercial,industrial, and automotives areas.

We are looking forward to setting up business relationship with you and hope to provide you with the best service and solution. Let us make a better world for our industry!



Contact us

Tel: +86-755-8981 8866 Fax: +86-755-8427 6832

Email & Skype: info@chipsmall.com Web: www.chipsmall.com

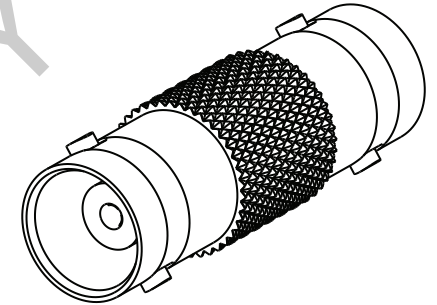
Address: A1208, Overseas Decoration Building, #122 Zhenhua RD., Futian, Shenzhen, China



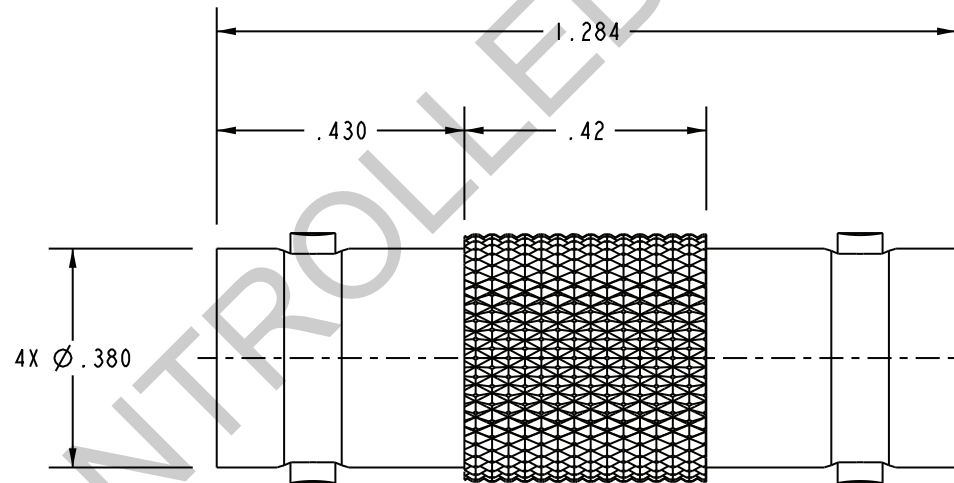
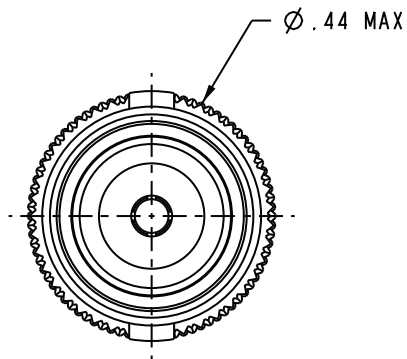
MODEL NUMBER	Ω
AD228	50
UAD228	75

DATA CONTAINED IN THIS DOCUMENT IS PROPRIETARY TO EMERSON CONNECTIVITY SOLUTIONS AND SHALL NOT BE DISCLOSED, COPIED OR USED FOR PROCUREMENT OR MANUFACTURE WITHOUT EXPRESS WRITTEN PERMISSION

REVISIONS			
REV	DESCRIPTIONS	DATE	APPROVED
C	REVISED PER ECO 16820	9/16/09	LM



SCALE 2/1



2. WITHIN SERIES FEMALE BNC FEEDTHRU ADAPTER, 50 Ω AND 75 Ω VERSIONS

1. FINISH: TFS-1A (NICKEL)

NOTES: UNLESS OTHERWISE SPECIFIED.

INTERPRET DRAWING PER MIL-STD-100. DIMENSIONS ARE IN INCHES AND INCLUDE FINISH THICKNESS UNLESS OTHERWISE SPECIFIED.

TOL: UNLESS SPECIFIED.
 .XX \pm .02
 .XXX \pm .010
 ANGLE \pm 1°



Cinch Connectivity Solutions
 299 Johnson Ave. Ste. 100
 Waseca, MN 56093
 1-800-247-8256

DRN W. JOHNSON 12/8/08

CHK LM 9/15/09

QUALITY

MANUF

APPROVED

PROJ TITLE NO. 1-0623

MATERIAL:

FINISH:

DO NOT SCALE DWG

SCALE 3/1

DATE 4/11/02

SHEET 1 OF 2

TITLE: U/AD228

SIZE A CAGE CODE 14949 DRAWING NO. 1-0623 REV. C

DATE 4/11/02

SCALE 3/1

DATE 4/11/02

SHEET 1 OF 2