



Chipsmall Limited consists of a professional team with an average of over 10 year of expertise in the distribution of electronic components. Based in Hongkong, we have already established firm and mutual-benefit business relationships with customers from,Europe,America and south Asia,supplying obsolete and hard-to-find components to meet their specific needs.

With the principle of "Quality Parts,Customers Priority,Honest Operation,and Considerate Service",our business mainly focus on the distribution of electronic components. Line cards we deal with include Microchip,ALPS,ROHM,Xilinx,Pulse,ON,Everlight and Freescale. Main products comprise IC,Modules,Potentiometer,IC Socket,Relay,Connector.Our parts cover such applications as commercial,industrial, and automotives areas.

We are looking forward to setting up business relationship with you and hope to provide you with the best service and solution. Let us make a better world for our industry!



## Contact us

Tel: +86-755-8981 8866 Fax: +86-755-8427 6832

Email & Skype: info@chipsmall.com Web: www.chipsmall.com

Address: A1208, Overseas Decoration Building, #122 Zhenhua RD., Futian, Shenzhen, China



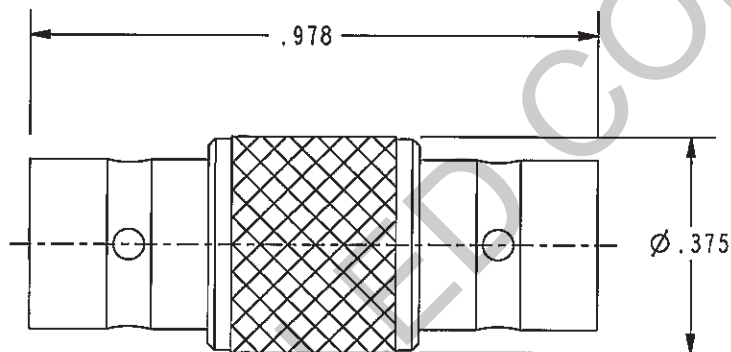
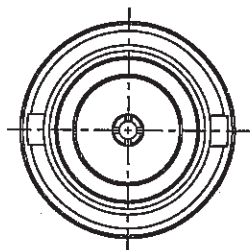
DATA CONTAINED IN THIS DOCUMENT IS PROPRIETARY TO TROMPETER ELECTRONICS INC. AND SHALL NOT BE DISCLOSED, COPIED OR USED FOR PROCUREMENT OR MANUFACTURE WITHOUT EXPRESS WRITTEN PERMISSION.

**REVISIONS**

REV	DESCRIPTIONS	DATE	APPROVED
A	PRODUCTION RELEASE	6/3/04	WJ



SCALE 1/1




**RED INDICATES ORIGINAL**

2. 75 Ω WITHIN SERIES MINI BNC FEED THRU RECEPTACLE

1. FINISH: BODY ASSEMBLY: TFS-1A (NICKEL)  
CONTACT: TFS-1B (GOLD)

NOTES: UNLESS OTHERWISE SPECIFIED.

INTERPRET DRAWING PER MIL-STD-100. DIMENSIONS ARE IN INCHES AND INCLUDE FINISH THICKNESS UNLESS OTHERWISE SPECIFIED.		TOL: UNLESS SPECIFIED. .XX ± .02 .XXX ± .010 ANGLE ± 1°		 a cinch connectivity solutions brand	
DRN	AAH 5-24-04	MATERIAL:	TITLE:		
CHR	JS/Mash 6/1/04	FINISH:	UAD258		
QUALITY	WJ 6/3/04				
HANDL	WJ 6/3/04	SIZE	CAGE CODE	DRAWING NO.	REV.
APPROVED	WJ 6/3/04	A	14949	1-0619	A
PROJ & BILL NO.	1-0619	SCALE	3/1	DATE	6/3/04
NEXT ASSY		DO NOT SCALE DWG		SHEET	IC