



Chipsmall Limited consists of a professional team with an average of over 10 year of expertise in the distribution of electronic components. Based in Hongkong, we have already established firm and mutual-benefit business relationships with customers from,Europe,America and south Asia,supplying obsolete and hard-to-find components to meet their specific needs.

With the principle of "Quality Parts,Customers Priority,Honest Operation,and Considerate Service",our business mainly focus on the distribution of electronic components. Line cards we deal with include Microchip,ALPS,ROHM,Xilinx,Pulse,ON,Everlight and Freescale. Main products comprise IC,Modules,Potentiometer,IC Socket,Relay,Connector.Our parts cover such applications as commercial,industrial, and automotives areas.

We are looking forward to setting up business relationship with you and hope to provide you with the best service and solution. Let us make a better world for our industry!



Contact us

Tel: +86-755-8981 8866 Fax: +86-755-8427 6832

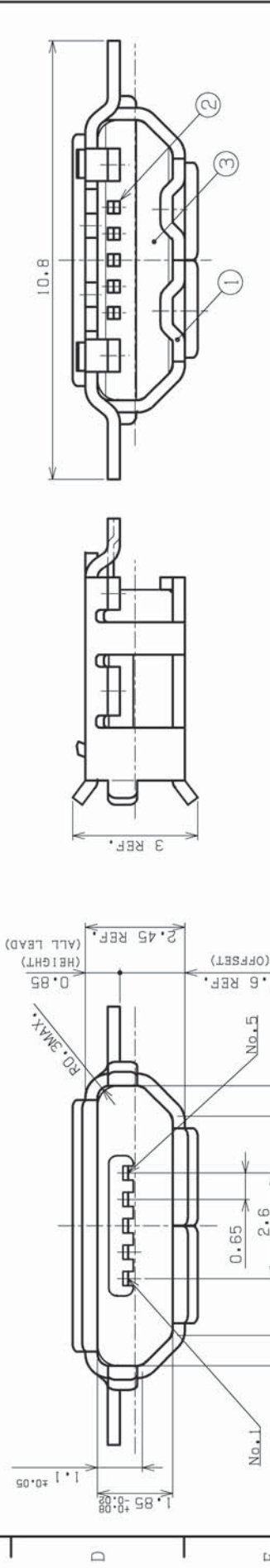
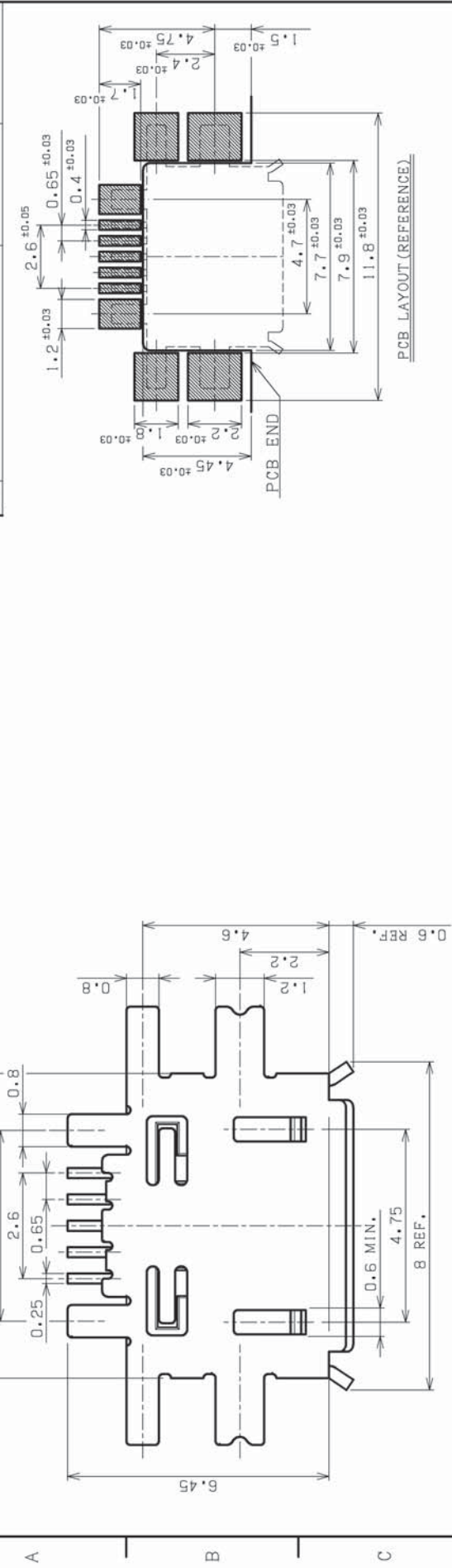
Email & Skype: info@chipsmall.com Web: www.chipsmall.com

Address: A1208, Overseas Decoration Building, #122 Zhenhua RD., Futian, Shenzhen, China



1 2 3 4 5 6 7 8

REV.	DESCRIPTION	DATE	DESIGNED
△			



PCB LAYOUT (REFERENCE)

3	SHELL	STAINLESS STEEL	NOTE 3	t=0.3	REMARKS
2	CONTACT	COPPER ALLOY	NOTE 2		
1	HOUSING	HEAT RESISTING RESIN	BLACK		UL94V-0
No.	PART NAME	MATERIAL	SURFACE FINISH		
SIZE	UNIT	SCALE	PROJECTION	DATE	CUSTOMER
A3	METRIC	10:1	DESIGNED	16. JUN. 2009	SERIES NAME
APPROVED	CHECKED	DRAWN	Y.N	Y.N	Micro USB Rec. Mid mount Btype
S.U			Y.N	Y.N	0.85mm height (1.6mm offset)
					PART No.
					UB-MC5BR3-M04-4S NMP
					DRAWING No.
					CT7-00350-220-4
					RD

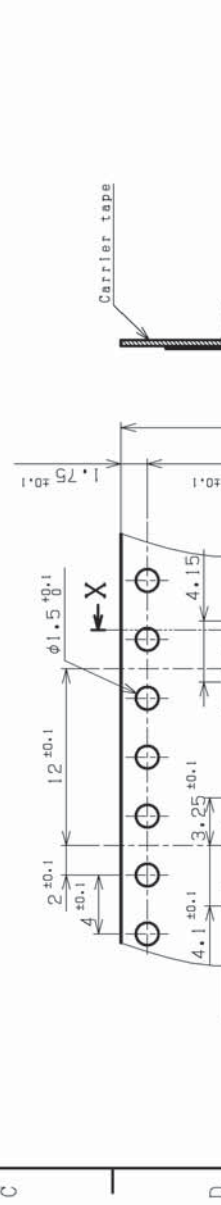
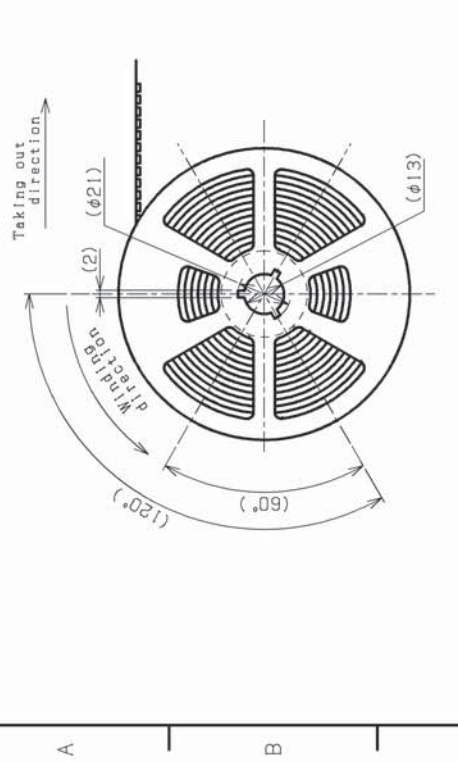
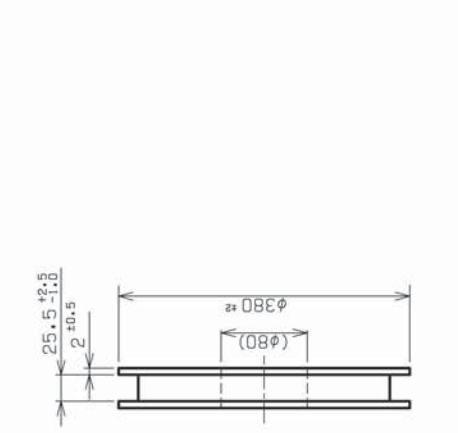
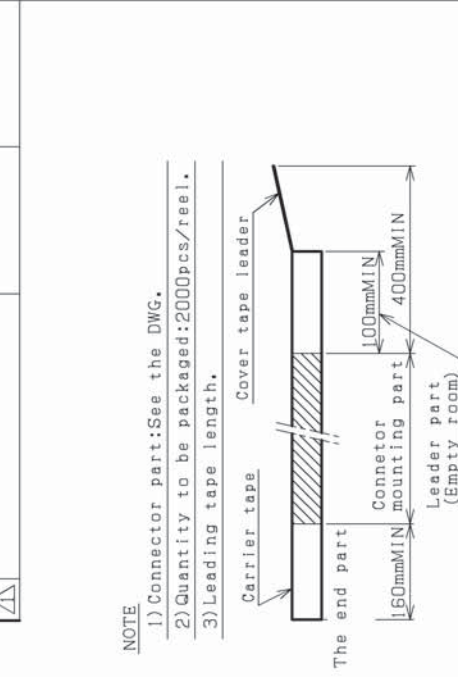


J.S.T. MFG. CO., LTD

NOTE 1: UNLESS OTHERWISE SPECIFIED TOLERANCE: ±0.3
 2: SURFACE FINISH OF CONTACT :
 OVER ALL : NICKEL UNDER PLATED
 CONTACT POINTS : GOLD PLATED
 SOLDER TAILS : GOLD PLATED
 3: SURFACE FINISH OF SHELL
 OVER ALL : NICKEL UNDER PLATED
 TIN PLATED

THIS DRAWING CONTAINS INFORMATION THAT IS PROPRIETARY TO J.S.T. AND SHOULD NOT BE USED WITHOUT WRITTEN PERMISSION.

REV.	DESCRIPTION	DATE	DESIGNED
△			



NOTE

- 1) Connector part: See the DWG.
- 2) Quantity to be packaged: 2000 pcs/reel.
- 3) Leading tape length.

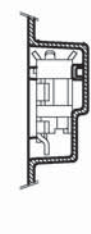
4) Cover tape peel strength: 0.1~1N
Peeling speed: 300mm/min.

5) Material
: Carrier tape: Polyester (PET)
: Cover tape: Polyester (PET)
: Reel : Flange, Polystyrene (PS)
: Core, Polypropylene (PP)
: Core, Polystyrene (PS)

6) Unless otherwise specified tolerance are ±0.3.

SIZE	UNIT	SCALE	PROJECTION	DATE	CUSTOMER
A3	METRIC	FREE	1st ANGLE	5.FEB.2010	J.S.T.MFG.CO.,LTD
APPROVED	CHECKED	DESIGNED	DRAWN		
S.U		Y.N	Y.N		

SERIES NAME	MicroUSB Receptacle
MID MOUNT BTYPE	
PART No.	UB-MC5BR3-M04-4S-TB NMP
DRAWING No.	CT7-00350-G20-1
RO	



X-Xsec.

THIS DRAWING CONTAINS INFORMATION THAT IS PROPRIETARY TO J.S.T. AND SHOULD NOT BE USED WITHOUT WRITTEN PERMISSION.

EG4109-2