



Chipsmall Limited consists of a professional team with an average of over 10 year of expertise in the distribution of electronic components. Based in Hongkong, we have already established firm and mutual-benefit business relationships with customers from,Europe,America and south Asia,supplying obsolete and hard-to-find components to meet their specific needs.

With the principle of “Quality Parts,Customers Priority,Honest Operation,and Considerate Service”,our business mainly focus on the distribution of electronic components. Line cards we deal with include Microchip,ALPS,ROHM,Xilinx,Pulse,ON,Everlight and Freescale. Main products comprise IC,Modules,Potentiometer,IC Socket,Relay,Connector.Our parts cover such applications as commercial,industrial, and automotives areas.

We are looking forward to setting up business relationship with you and hope to provide you with the best service and solution. Let us make a better world for our industry!



## Contact us

Tel: +86-755-8981 8866 Fax: +86-755-8427 6832

Email & Skype: info@chipsmall.com Web: www.chipsmall.com

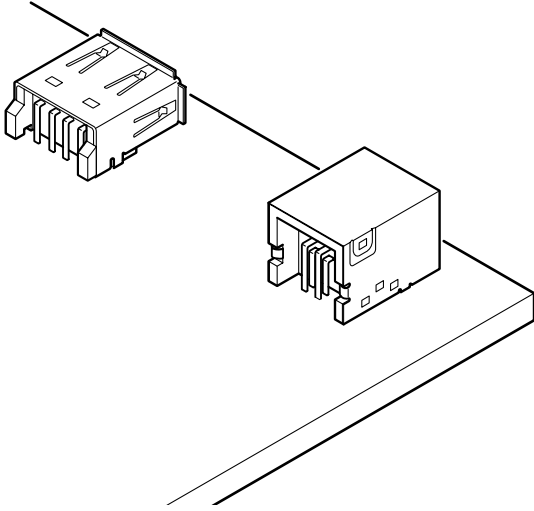
Address: A1208, Overseas Decoration Building, #122 Zhenhua RD., Futian, Shenzhen, China





# UB CONNECTOR

## USB (Universal Serial Bus) Conforming Connector



- **Conforms to USB (Universal Serial Bus) 2.0 standards**
- **Secure EMI shielding effect**
- **SMT configuration**

### Specifications

- Current rating: 1.0 A AC, DC/ line
  - Voltage rating: 30 V AC, DC
  - Temperature range: -55°C to +85°C  
(including temperature rise in applying electrical current)
  - Contact resistance: Initial value/ 30 mΩ max.  
After environmental tests/ 10 mΩ max.  
(variation from initial value)
  - Insulation resistance: 1,000 MΩ min.
  - Withstanding voltage: 750 VAC/minute
- \* Refer to "General Instruction and Notice when using Terminals and Connectors" at the end of this catalog.  
\* Contact JST for details.  
\* Compliant with RoHS.

### Standards

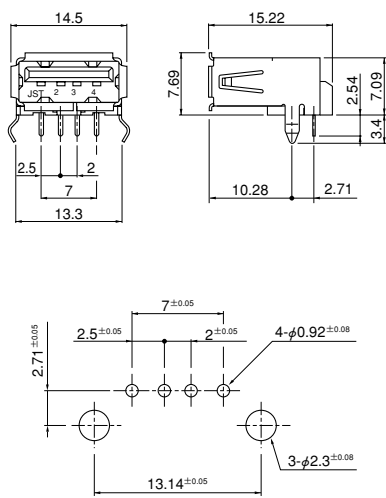
- Ⓜ Recognized E60389
- Ⓢ Certified LR20812

### Receptacle

#### USB 2.0 certified product

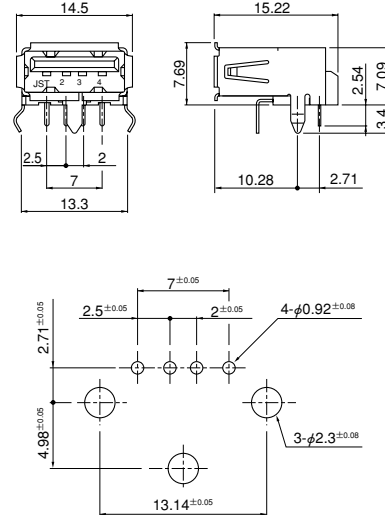
#### Type A <Through-hole type> Normal

TID No.: 6000158



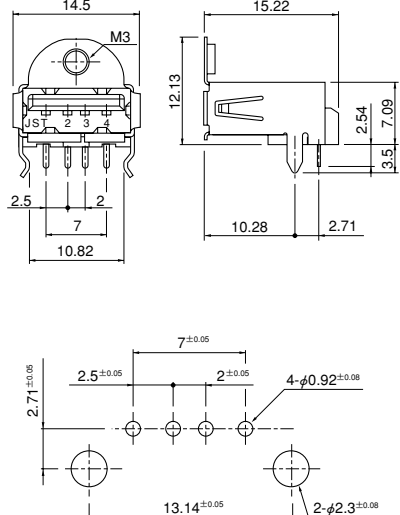
#### Type A <Through-hole type> With solder tab

TID No.: 6000162



#### Type A <Through-hole type> With upper flange

TID No.: 6000163



Model No.	Material and Finish		Qty / box
UBA-4R-D14-4D	Contact	Copper alloy, nickel-undercoated, selective gold-plated	250
	Housing	Thermoplastic resin, UL94V-0	
	Shell	Copper alloy, nickel-undercoated, tin-plated	

RoHS compliance This product displays (LF)(SN) on a label.

Model No.	Material and Finish		Qty / box
UBA-4R-D14T-4D	Contact	Copper alloy, nickel-undercoated, selective gold-plated	250
	Housing	Thermoplastic resin, UL94V-0	
	Shell	Copper alloy, nickel-undercoated, tin-plated	
	Solder tab	Copper alloy, copper-undercoated, tin-plated (reflow treatment)	

RoHS compliance This product displays (LF)(SN) on a label.

Model No.	Material and Finish		Qty / box
UBA-4R-D14C2-4D	Contact	Copper alloy, nickel-undercoated, selective gold-plated	250
	Housing	Thermoplastic resin, UL94V-0	
	Shell	Copper alloy, nickel-undercoated, tin-plated	

RoHS compliance This product displays (LF)(SN) on a label.

Note: 1. The dimensions above should serve as a guideline. Contact JST for details.

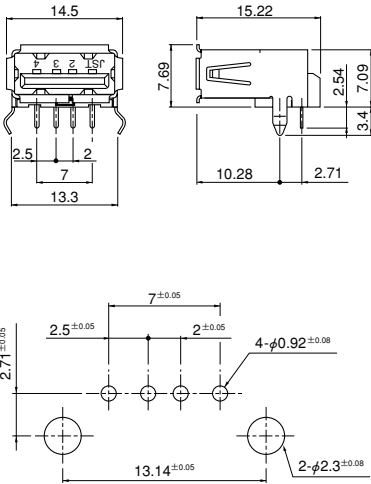
2. Thin gold-plated (Au Flash) product that is USB 2.0 uncertified product (\*\* 10) is also available.

## Receptacle

### USB 2.0 certified product

#### Type A <Through-hole type> Reverse

TID No.: 61000434

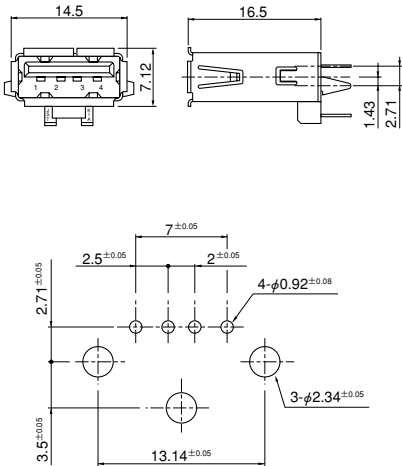


Model No.	Material and Finish	Qty / box
UBA-R4R-D14-4D	Contact	Copper alloy, nickel-undercoated, selective gold-plated
	Housing	Thermoplastic resin, UL94V-0
	Shell	Copper alloy, nickel-undercoated, tin-plated
		250

RoHS compliance This product displays (LF)(SN) on a label.

#### Type A <Through-hole type> Straight, normal

TID No.: 6000456

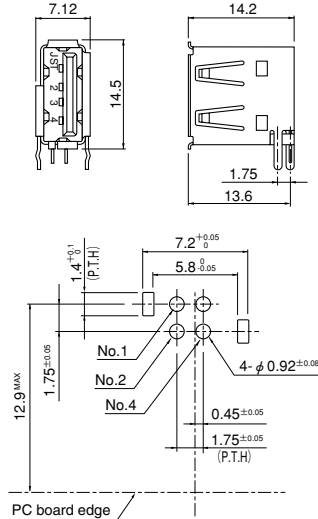


Model No.	Material and Finish	Qty / box
UBAS-4R-D14-4D	Contact	Copper alloy, nickel-undercoated, selective gold-plated
	Housing	Thermoplastic resin, UL94V-0
	Shell	Copper alloy, nickel-undercoated, tin-plated
		250

RoHS compliance This product displays (LF)(SN) on a label.

#### Type A <Through-hole type> Vertical, normal

TID No.: 6000455

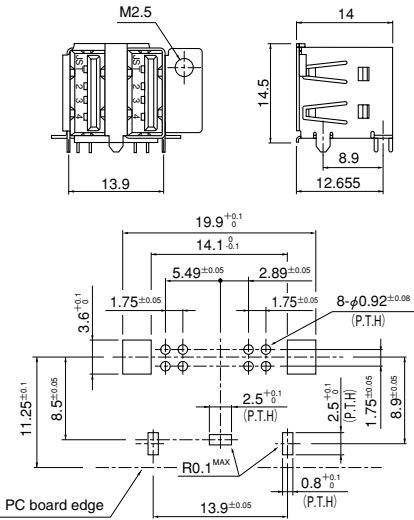


Model No.	Material and Finish	Qty / box
UBAL-4R-D14-4S	Contact	Copper alloy, nickel-undercoated, selective gold-plated
	Housing	Thermoplastic resin, UL94V-0
	Shell	Copper alloy, nickel-undercoated, tin-plated
		350

RoHS compliance This product displays (LF)(SN) on a label.

#### Type A <Through-hole type> Vertical, dual-row

TID No.: 60000455

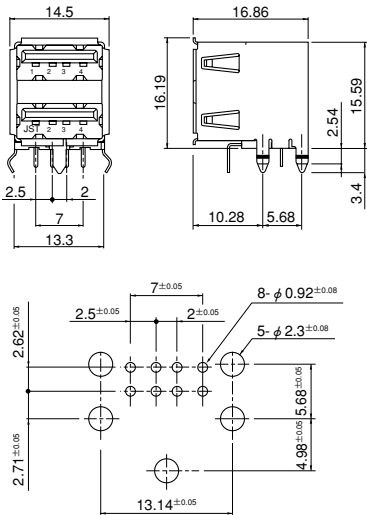


Model No.	Material and Finish	Qty / box
UBAL-4RS-D14K-4S	Contact	Copper alloy, nickel-undercoated, selective gold-plated
	Housing	Thermoplastic resin, UL94V-0
	Shell A	Copper alloy, nickel-undercoated, tin-plated
	Shell B	Copper alloy, nickel-undercoated, tin-plated
		105

RoHS compliance This product displays (LF)(SN) on a label.

#### Type A <Through-hole type> Double-stack

TID No.: 60000434

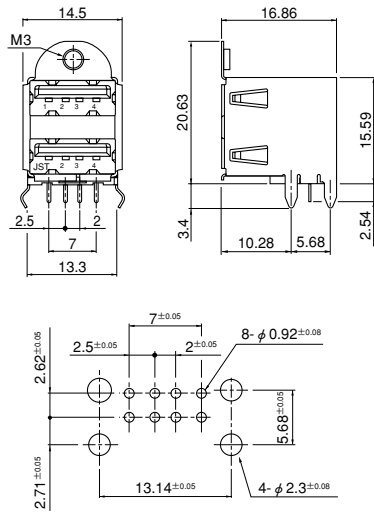


Model No.	Material and Finish	Qty / box
UBA-4RS-D14T-4D	Contact	Copper alloy, nickel-undercoated, selective gold-plated
	Housing	Thermoplastic resin, UL94V-0
	Locator	Thermoplastic resin, UL94V-0
	Shell A	Copper alloy, nickel-undercoated, tin-plated
	Shell B	Copper alloy, nickel-undercoated, tin-plated
Solder tab	Copper alloy, copper-undercoated, tin-plated (reflow treatment)	
		210

RoHS compliance This product displays (LF)(SN) on a label.

#### Type A <Through-hole type> Double-stack with upper flange

TID No.: 61000434



Model No.	Material and Finish	Qty / box
UBA-4RS-D14C-4D	Contact	Copper alloy, nickel-undercoated, selective gold-plated
	Housing	Thermoplastic resin, UL94V-0
	Locator	Thermoplastic resin, UL94V-0
	Shell A	Copper alloy, nickel-undercoated, tin-plated
Shell B	Copper alloy, nickel-undercoated, tin-plated	
		210

RoHS compliance This product displays (LF)(SN) on a label.

Note: 1. The dimensions above should serve as a guideline. Contact JST for details.  
2. Thin gold-plated (Au Flash) product that is USB 2.0 uncertified product (\*\* 10) is also available.

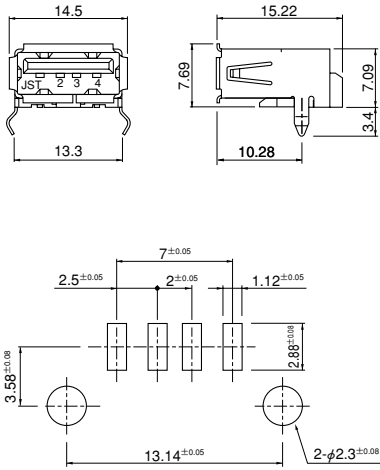
# UB CONNECTOR

## Receptacle

### USB 2.0 certified product

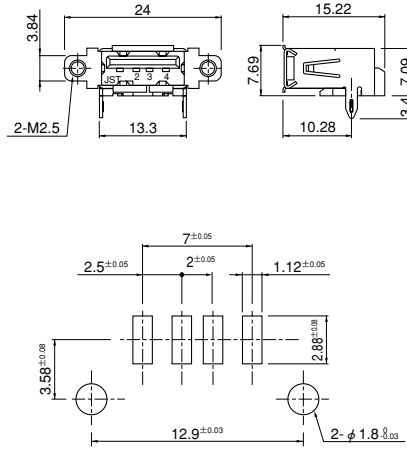
#### Type A <SMT type> Without flange

TID No.: 60000160



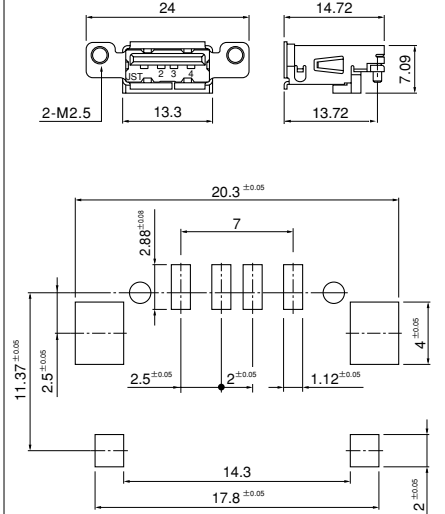
#### Type A <SMT type> With side flange

TID No.: 6000171



#### Type A <SMT type, offset 3 mm> With side flange

TID No.: 60000172



Model No.	Material and Finish	Qty / box
UBA-4R-S14-4S	Contact	Copper alloy, nickel-undercoated, selective gold-plated
	Housing	Thermoplastic resin, UL94V-0
	Shell	Copper alloy, nickel-undercoated, tin-plated
		250

RoHS compliance This product displays (LF)(SN) on a label.

Model No.	Material and Finish	Qty / box
UBA-4R-S14A-4S	Contact	Copper alloy, nickel-undercoated, selective gold-plated
	Housing	Thermoplastic resin, UL94V-0
	Shell	Copper alloy, nickel-undercoated, tin-plated
		192

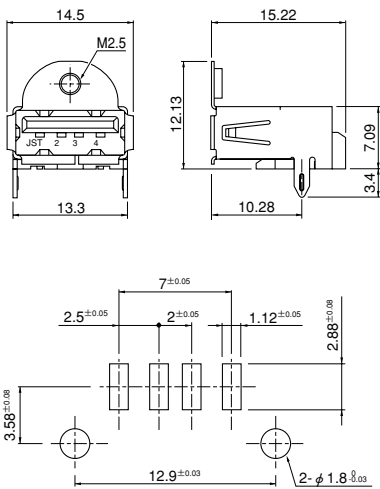
RoHS compliance This product displays (LF)(SN) on a label.

Model No.	Material and Finish	Qty / box
UBA-4R-S14B-4S	Contact	Copper alloy, nickel-undercoated, selective gold-plated
	Housing	Thermoplastic resin, UL94V-0
	Shell	Copper alloy, nickel-undercoated, tin-plated
		378

RoHS compliance This product displays (LF)(SN) on a label.

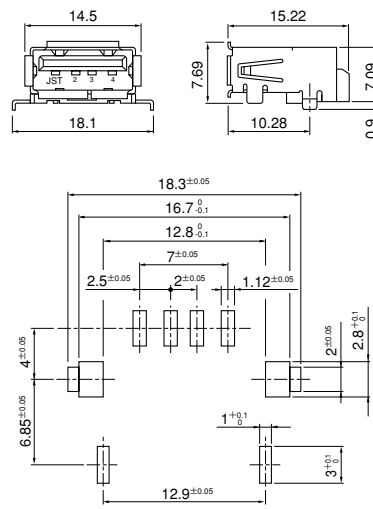
#### Type A <SMT type> With upper flange

TID No.: 60000174



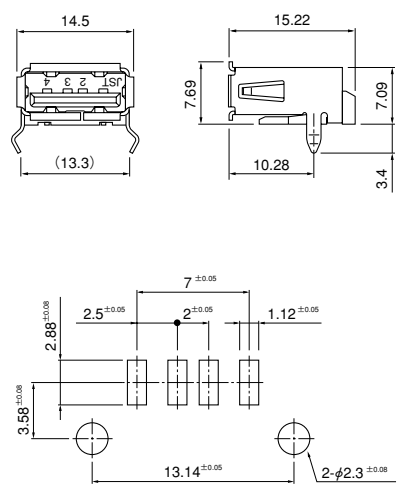
#### Type A <SMT type> FULL SMT

TID No.: 60000434



#### Type A <SMT type> Reverse

TID No.: 62000434



Model No.	Material and Finish	Qty / box
UBA-4R-S14C-4S	Contact	Copper alloy, nickel-undercoated, selective gold-plated
	Housing	Thermoplastic resin, UL94V-0
	Shell	Copper alloy, nickel-undercoated, tin-plated
		216

RoHS compliance This product displays (LF)(SN) on a label.

Model No.	Material and Finish	Qty / box
UBA-4R-S14HD-4S	Contact	Copper alloy, nickel-undercoated, selective gold-plated
	Housing	Thermoplastic resin, UL94V-0
	Shell	Copper alloy, nickel-undercoated, tin-plated
		192

RoHS compliance This product displays (LF)(SN) on a label.

Model No.	Material and Finish	Qty / box
UBA-R4R-S14-4S	Contact	Copper alloy, nickel-undercoated, selective gold-plated
	Housing	Thermoplastic resin, UL94V-0
	Shell	Copper alloy, nickel-undercoated, tin-plated
		250

RoHS compliance This product displays (LF)(SN) on a label.

Note: 1. The dimensions above should serve as a guideline. Contact JST for details.

2. Thin gold-plated (Au Flash) product that is USB 2.0 uncertified product (\*\* 10) is also available.

## Receptacle

### USB 2.0 certified product

**Type B <Through-hole type>  
With solder tab**  
TID No.: 60000457

**Type B <Through-hole type>  
With upper flange**  
TID No.: 60000457

**Type B <Through-hole type>  
Straight**  
TID No.: 60000468

Model No.	Material and Finish	Qty / box
<b>UBB-4R-D14T-4D</b>	Contact	Copper alloy, nickel-undercoated, selective gold-plated
	Housing	Thermoplastic resin, UL94V-0
	Shell	Copper alloy, nickel-undercoated, tin-plated
		270

Model No.	Material and Finish	Qty / box
<b>UBB-4R-D14C-4D</b>	Contact	Copper alloy, nickel-undercoated, selective gold-plated
	Housing	Thermoplastic resin, UL94V-0
	Shell	Copper alloy, nickel-undercoated, tin-plated
		270

Model No.	Material and Finish	Qty / box
<b>UBBS-4R-D14-4D</b>	Contact	Copper alloy, nickel-undercoated, selective gold-plated
	Housing	Thermoplastic resin, UL94V-0
	Shell	Copper alloy, nickel-undercoated, tin-plated
		600

**RoHS compliance** This product displays (LF)(SN) on a label.  
 Note: 1. The dimensions above should serve as a guideline. Contact JST for details.  
 2. Thin gold-plated (Au Flash) product that is USB 2.0 uncertified product (\*\* 10) is also available.

**RoHS compliance** This product displays (LF)(SN) on a label.  
 Note: 1. The dimensions above should serve as a guideline. Contact JST for details.  
 2. Thin gold-plated (Au Flash) product that is USB 2.0 uncertified product (\*\* 10) is also available.

**RoHS compliance** This product displays (LF)(SN) on a label.  
 Note: 1. The dimensions above should serve as a guideline. Contact JST for details.  
 2. Thin gold-plated (Au Flash) product that is USB 2.0 uncertified product (\*\* 10) is also available.

## Plug type A SMT type

### USB 2.0 certified product

TID No.: 61001068

Model No.	Material and Finish	Qty / box
<b>UBA-4P-S14E</b>	Contact	Copper alloy, nickel-undercoated, selective gold-plated
	Housing	Heat resisting resin, UL94V-0
	Shell	Copper alloy, nickel-undercoated, palladium-plated
		5,580

**RoHS compliance** This product displays (LF)(SN) on a label.  
 Note: 1. Not UL/CSA approved.  
 2. The dimensions left should serve as a guideline. Contact JST for details.  
 3. Thin gold-plated (Au Flash) product that is USB 2.0 uncertified product (\*\* 10) is also available.