



Chipsmall Limited consists of a professional team with an average of over 10 year of expertise in the distribution of electronic components. Based in Hongkong, we have already established firm and mutual-benefit business relationships with customers from,Europe,America and south Asia,supplying obsolete and hard-to-find components to meet their specific needs.

With the principle of "Quality Parts,Customers Priority,Honest Operation,and Considerate Service",our business mainly focus on the distribution of electronic components. Line cards we deal with include Microchip,ALPS,ROHM,Xilinx,Pulse,ON,Everlight and Freescale. Main products comprise IC,Modules,Potentiometer,IC Socket,Relay,Connector.Our parts cover such applications as commercial,industrial, and automotives areas.

We are looking forward to setting up business relationship with you and hope to provide you with the best service and solution. Let us make a better world for our industry!



Contact us

Tel: +86-755-8981 8866 Fax: +86-755-8427 6832

Email & Skype: info@chipsmall.com Web: www.chipsmall.com

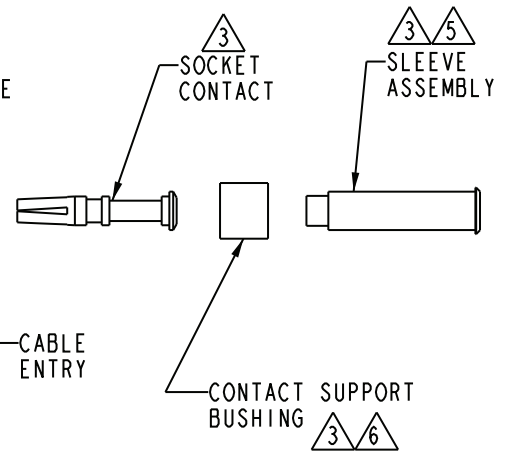
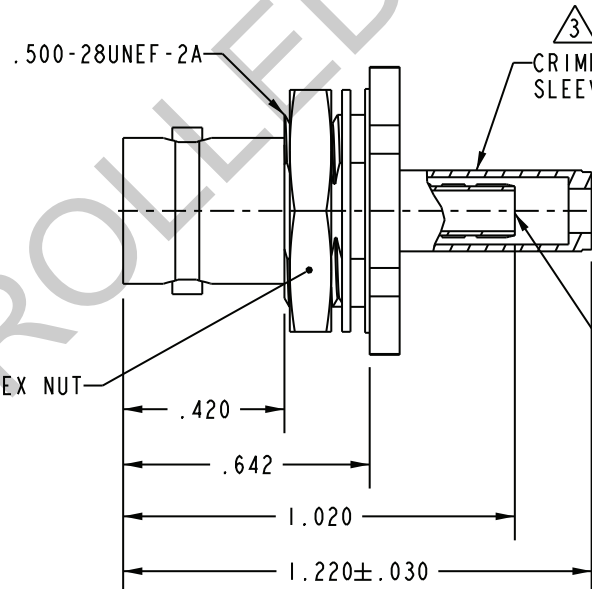
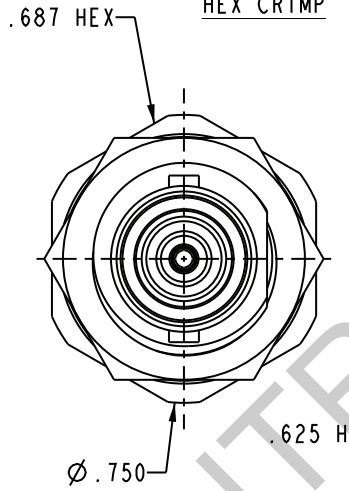
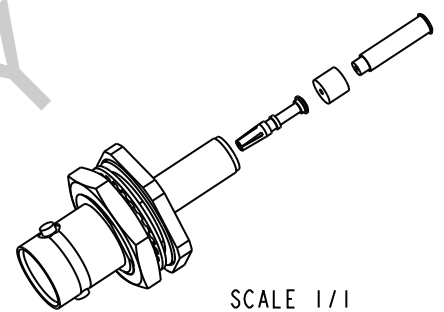
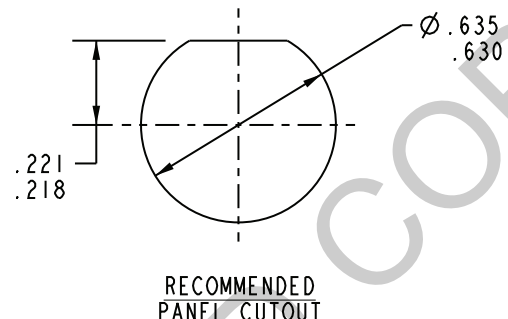
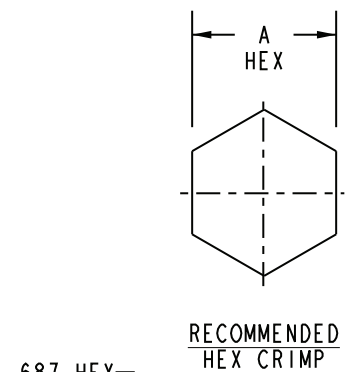
Address: A1208, Overseas Decoration Building, #122 Zhenhua RD., Futian, Shenzhen, China



DASH NUMBER	CABLES ACCOMMODATED	A HEX	ASSEMBLE PER	
-001	RG-178, -196	.178	TAI-A118	
-002	HEWLETT PACKARD 8120-1107	.197		
-003	RG-174, 316	.178		
-004	RG-179, 187			
-005	NORTHERN ELECTRIC DBL-SHLD RG-187	.197		
-006	GC875GPI, GRUMMAN DBL-SHLD RG-188			
-007	275-3991, MICRODOT	.178		
-008	RG-195, -180 421-111, ESSEX			
-009	8218, BELDEN YR23023 BELDEN 21-597, ESSEX			
-011	RG-58; RG-141; RG-303	.213	TAI-A118	
-013	RG-59	.255		
-013A	TCC-75-2			
-013B	RG-62			
-014	8212, BELDEN	TAI-A118		
-015	730A, AT&T	.290		TAI-C118
-015A	RG-71	.324		
-016	724, AT&T 8281, BELDEN			
-017	RG-6	.344		TAI-A118
-018	9268, BELDEN	.255		
-019	8279, BELDEN			
-020	9248, BELDEN	.290	TAI-C118	
-021	88240, BELDEN			
-022	88241, 88269, BELDEN	.255	TAI-A118	
-023	89108, BELDEN	.290		
-024	89120, BELDEN			
-025	734A, AT&T	.255	TAI-A118	
-026	735A, AT&T			
-027	HS19224L2, AT&T	.178		


DATA CONTAINED IN THIS DOCUMENT IS PROPRIETARY TO TROMPETER ELECTRONICS INC. AND SHALL NOT BE DISCLOSED, COPIED OR USED FOR PROCUREMENT OR MANUFACTURE WITHOUT EXPRESS WRITTEN PERMISSION.

REVISIONS			
REV	DESCRIPTIONS	DATE	APPROVED
C	REVISED PER ECO 16784		



- $\triangle 6$ CONTACT SUPPORT BUSHING REQUIRED ON -013B, -015A & -22 ONLY
- $\triangle 5$ SLEEVE REQUIRED ON -001 THRU -007 & -027 ONLY
- 4. MAXIMUM PANEL THICKNESS: .100
- $\triangle 3$ CRIMP SLEEVE, SOCKET CONTACT, SLEEVE ASSEMBLY AND CONTACT SUPPORT BUSHING ARE SUPPLIED LOOSE
- 2. RF COAXIAL 75 Ω BNC FULL CRIMP BULKHEAD MOUNT RECEPTACLE
- 1. FINISH: TFS-1A (NICKEL)

NOTES: UNLESS OTHERWISE SPECIFIED.

INTERPRET DRAWING PER MIL-STD-100. DIMENSIONS ARE IN INCHES AND INCLUDE FINISH THICKNESS UNLESS OTHERWISE SPECIFIED.		TOL: UNLESS SPECIFIED. .XX \pm .02 .XXX \pm .010 ANGLE \pm 1°		 a cinch connectivity solutions brand			
DWN R JOHNSON	10-24-08	MATERIAL:	TITLE:				
CHK				UBJ220			
QUALITY		FINISH:					
MANUF				SIZE	CAGE CODE	DRAWING NO.	REV.
APPROVED				\triangle	14949	1-0515	C
NEXT ASSY	PROJ TITLE NO. 1-0515	DO NOT SCALE DWG	SCALE	2/1	DATE	4-11-94	SHEET 1C