



Chipsmall Limited consists of a professional team with an average of over 10 year of expertise in the distribution of electronic components. Based in Hongkong, we have already established firm and mutual-benefit business relationships with customers from,Europe,America and south Asia,supplying obsolete and hard-to-find components to meet their specific needs.

With the principle of “Quality Parts,Customers Priority,Honest Operation,and Considerate Service”,our business mainly focus on the distribution of electronic components. Line cards we deal with include Microchip,ALPS,ROHM,Xilinx,Pulse,ON,Everlight and Freescale. Main products comprise IC,Modules,Potentiometer,IC Socket,Relay,Connector.Our parts cover such applications as commercial,industrial, and automotives areas.

We are looking forward to setting up business relationship with you and hope to provide you with the best service and solution. Let us make a better world for our industry!



Contact us

Tel: +86-755-8981 8866 Fax: +86-755-8427 6832

Email & Skype: info@chipsmall.com Web: www.chipsmall.com

Address: A1208, Overseas Decoration Building, #122 Zhenhua RD., Futian, Shenzhen, China



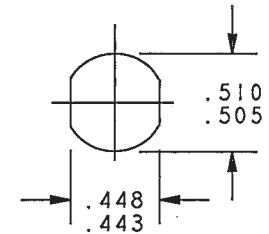
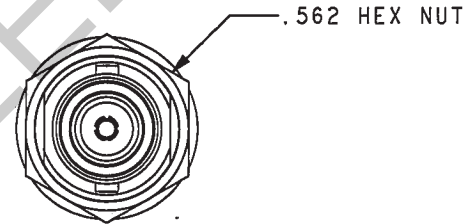
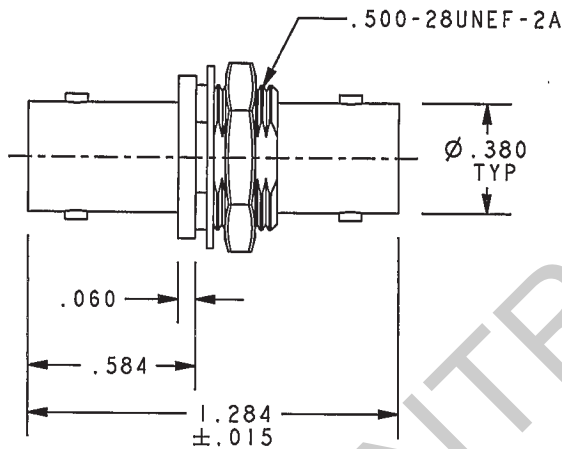
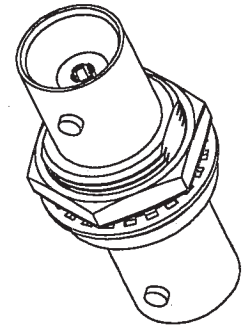
INCH	MM
.005	0.13
.015	0.38
.060	1.52
.156	3.97
.380	9.65
.443	11.25
.448	11.38
.505	12.83
.510	12.95
.562	14.27
.584	14.83
1.284	32.61

DASH NO	MODEL NO	IMPD OHMS
-1	BJ224	50
-2	UBJ224	75

DATA CONTAINED IN THIS DOCUMENT IS PROPRIETARY TO TROMPETER ELECTRONICS INC. AND SHALL NOT BE DISCLOSED, COPIED OR USED FOR PROCUREMENT OR MANUFACTURE WITHOUT EXPRESS WRITTEN PERMISSION.

REVISIONS			
REV	DESCRIPTIONS	DATE	APPROVED
A	PRODUCTION RELEASE	10/11/00	

RED INDICATES ORIGINAL



SCALE: 1/1
RECOMMENDED PANEL CUTOUT

4. SOCKET CONTACT COAXIAL BNC TYPE NON-INSULATED FEED THRU BULKHEAD JACK, 50 AND 75 OHM VERSIONS
3. MAX PANEL THK: .156
2. FINISH: TFS-1A, (NICKEL)
1. ALL DIM ARE IN INCHES

NOTES: UNLESS OTHERWISE SPECIFIED.

INTERPRET DRAWING PER MIL-STD-100. DIMENSIONS ARE IN INCHES AND INCLUDE FINISH THICKNESS UNLESS OTHERWISE SPECIFIED.

TOL: UNLESS SPECIFIED.
.XX ± .02
.XXX ± .010
ANGLE ± 1°

TROMPETER
RF connectivity
a cinch connectivity solutions brand

DRN R L 10/11/00

CHK [Signature] 10/12/00
APPROVED [Signature] 10/12/00

MATERIAL:

FINISH:

TITLE:

BJ224/UBJ224

SIZE	CAGE CODE	DRAWING NO.	REV.
A	14949	1-0590	A
SCALE	DATE	SHEET	IC
2/1	10/13/00	1C	

NEXT ASSY

CAD FILE NO. 1-0590

DO NOT SCALE DWG