



Chipsmall Limited consists of a professional team with an average of over 10 year of expertise in the distribution of electronic components. Based in Hongkong, we have already established firm and mutual-benefit business relationships with customers from,Europe,America and south Asia,supplying obsolete and hard-to-find components to meet their specific needs.

With the principle of “Quality Parts,Customers Priority,Honest Operation,and Considerate Service”,our business mainly focus on the distribution of electronic components. Line cards we deal with include Microchip,ALPS,ROHM,Xilinx,Pulse,ON,Everlight and Freescale. Main products comprise IC,Modules,Potentiometer,IC Socket,Relay,Connector.Our parts cover such applications as commercial,industrial, and automotives areas.

We are looking forward to setting up business relationship with you and hope to provide you with the best service and solution. Let us make a better world for our industry!



Contact us

Tel: +86-755-8981 8866 Fax: +86-755-8427 6832

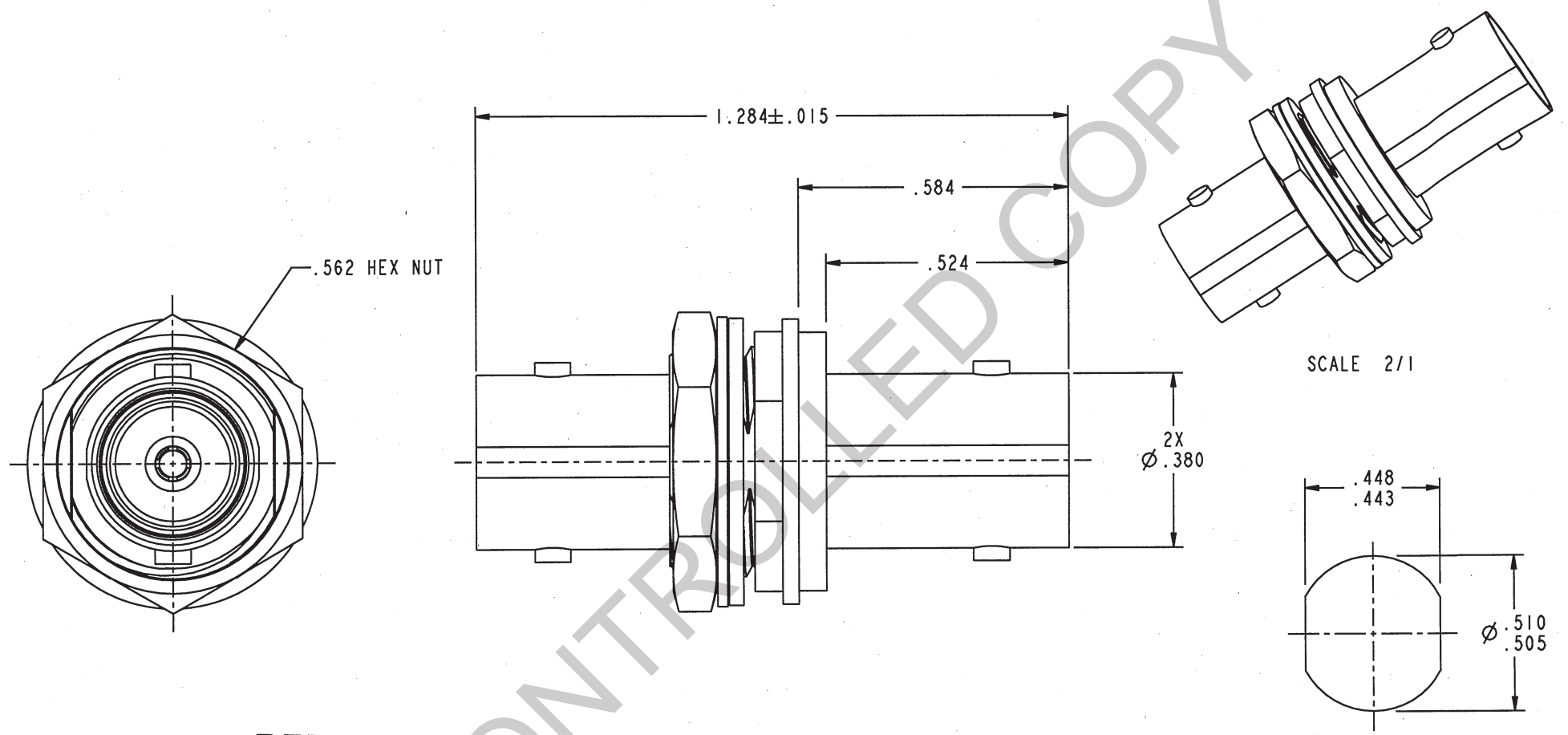
Email & Skype: info@chipsmall.com Web: www.chipsmall.com

Address: A1208, Overseas Decoration Building, #122 Zhenhua RD., Futian, Shenzhen, China



DATA CONTAINED IN THIS DOCUMENT IS PROPRIETARY TO EMERSON CONNECTIVITY SOLUTIONS AND SHALL NOT BE DISCLOSED, COPIED OR USED FOR PROCUREMENT OR MANUFACTURE WITHOUT EXPRESS WRITTEN PERMISSION


REVISIONS			
REV	DESCRIPTIONS	DATE	APPROVED
E	REVISED PER ECO 16587	9/22/09	EM



RED INDICATES ORIGINAL

- 3) SOCKET CONTACT COAXIAL BNC TYPE INSULATED FEED THRU BULKHEAD JACK 75 Ω VERSION
- 2. MAXIMUM PANEL THICKNESS: .100
- 1. FINISH: BODY, TFS-1Y, NICKEL CONTACT, TFS-1B (5G), GOLD

NOTES: UNLESS OTHERWISE SPECIFIED.

INTERPRET DRAWING PER MIL-STD-100. DIMENSIONS ARE IN INCHES AND INCLUDE FINISH THICKNESS UNLESS OTHERWISE SPECIFIED.		TOL: UNLESS SPECIFIED. .XX ± .02 .XXX ± .010 ANGLE ± 1°		 Cinch Connectivity Solutions 299 Johnson Ave. Ste. 100 Waseca, MN 56093 1-800-247-8256	
DRN M JOHNSON 9-16-09	9-16-09	MATERIAL:		TITLE: UBJ241	
CHK EM 9/16/09	QUALITY	FINISH:		SIZE A 14949	CAGE CODE 1-0587
MANUF	APPROVED EM 9/16/09	PROJECT FILE NO. 1-0587	DO NOT SCALE DWG	SCALE 3/1	DATE 4-9-01
NEXT ASSY	SHEET IC	REV. E	DRAWING NO. 1-0587	REV.	SHEET IC