



Chipsmall Limited consists of a professional team with an average of over 10 year of expertise in the distribution of electronic components. Based in Hongkong, we have already established firm and mutual-benefit business relationships with customers from,Europe,America and south Asia,supplying obsolete and hard-to-find components to meet their specific needs.

With the principle of "Quality Parts,Customers Priority,Honest Operation,and Considerate Service",our business mainly focus on the distribution of electronic components. Line cards we deal with include Microchip,ALPS,ROHM,Xilinx,Pulse,ON,Everlight and Freescale. Main products comprise IC,Modules,Potentiometer,IC Socket,Relay,Connector.Our parts cover such applications as commercial,industrial, and automotives areas.

We are looking forward to setting up business relationship with you and hope to provide you with the best service and solution. Let us make a better world for our industry!



## Contact us

Tel: +86-755-8981 8866 Fax: +86-755-8427 6832

Email & Skype: info@chipsmall.com Web: www.chipsmall.com

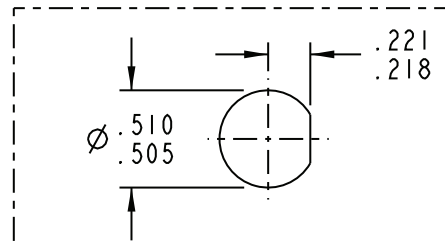
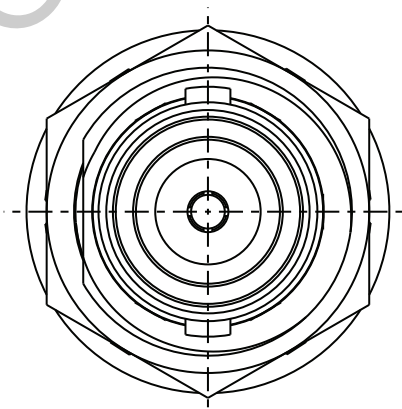
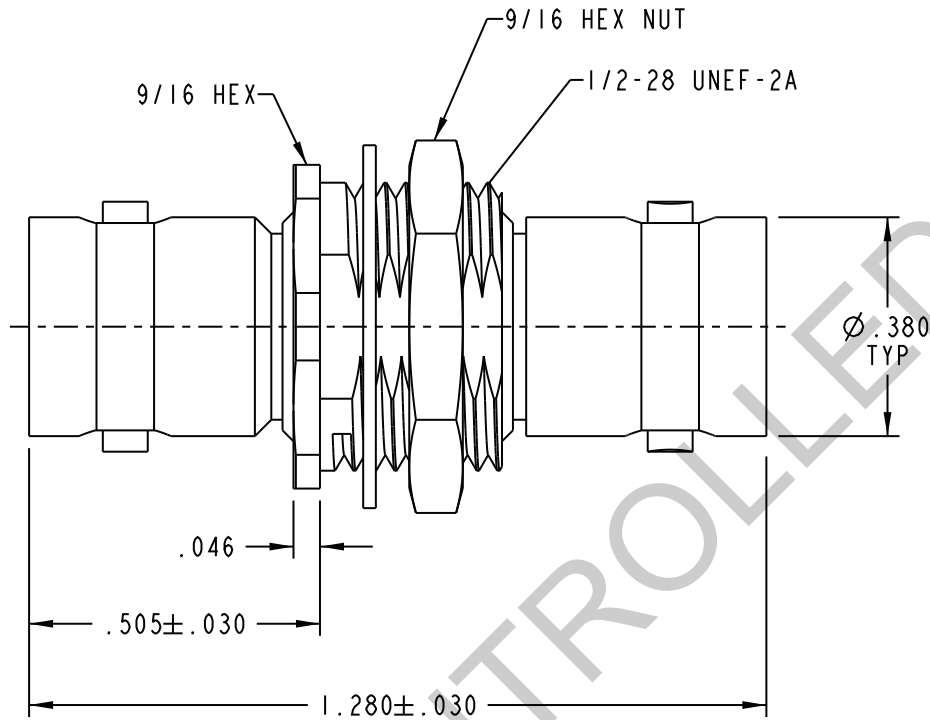
Address: A1208, Overseas Decoration Building, #122 Zhenhua RD., Futian, Shenzhen, China



DASH #	MODEL #	IMPEDANCE $\Omega$
-1	BJ28	50
-2	UBJ28	75

DATA CONTAINED IN THIS DOCUMENT IS PROPRIETARY TO EMERSON CONNECTIVITY SOLUTIONS AND SHALL NOT BE DISCLOSED, COPIED OR USED FOR PROCUREMENT OR MANUFACTURE WITHOUT EXPRESS WRITTEN PERMISSION

REVISIONS			
REV	DESCRIPTIONS	DATE	APPROVED
U	ECO 53008	1-26-11	T. KOHLER




RECOMMENDED PANEL CUTOUT  
SCALE 1:1

3. SOCKET CONTACT COAXIAL BNC TYPE INSULATED FEED THRU BULKHEAD JACK, 50 AND 75 OHM VERSIONS

2. MAX PANEL THK .156

1. FINISH: NICKEL

NOTES: UNLESS OTHERWISE SPECIFIED.

INTERPRET DRAWING PER MIL-STD-100. DIMENSIONS ARE IN INCHES AND INCLUDE FINISH THICKNESS UNLESS OTHERWISE SPECIFIED.		TOL: UNLESS SPECIFIED. .XX ± .XXX ± .005 .XXXX ± ANGLE ± CRITICAL		 Cinch Connectivity Solutions 299 Johnson Ave. Ste. 100 Waseca, MN 56093 1-800-247-8256	
DRN	B. RYAN	4-18-11	MATERIAL:	TITLE:	
CHK	T. KOHLER	4-19-11	FINISH:	BJ28/UBJ28	
QUALITY				SIZE	CAGE CODE
MANUF				Δ	14949
APPROVED				DRAWING NO.	1-0133
PROF TITLE NO.	1-0133	DO NOT SCALE DWG	SCALE	3/1	DATE
SURFACE AREA					9-15-66
					SHEET
					1 OF 2