



Chipsmall Limited consists of a professional team with an average of over 10 year of expertise in the distribution of electronic components. Based in Hongkong, we have already established firm and mutual-benefit business relationships with customers from,Europe,America and south Asia,supplying obsolete and hard-to-find components to meet their specific needs.

With the principle of “Quality Parts,Customers Priority,Honest Operation,and Considerate Service”,our business mainly focus on the distribution of electronic components. Line cards we deal with include Microchip,ALPS,ROHM,Xilinx,Pulse,ON,Everlight and Freescale. Main products comprise IC,Modules,Potentiometer,IC Socket,Relay,Connector.Our parts cover such applications as commercial,industrial, and automotives areas.

We are looking forward to setting up business relationship with you and hope to provide you with the best service and solution. Let us make a better world for our industry!



## Contact us

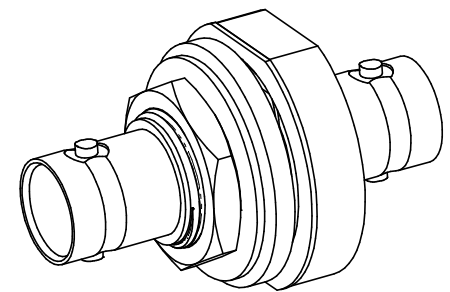
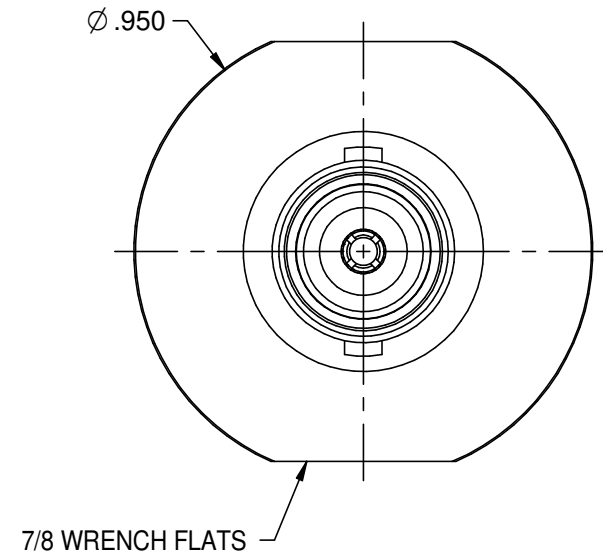
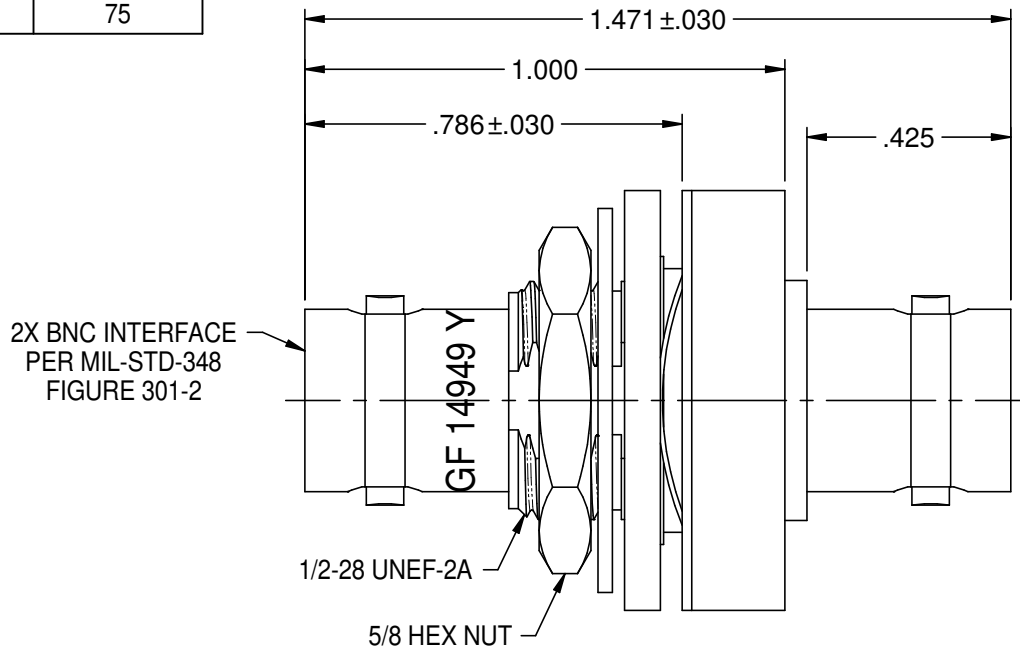
Tel: +86-755-8981 8866 Fax: +86-755-8427 6832

Email & Skype: info@chipsmall.com Web: www.chipsmall.com

Address: A1208, Overseas Decoration Building, #122 Zhenhua RD., Futian, Shenzhen, China



TABLE 1	
TROMPETER NUMBER	IMPEDANCE (OHMS)
BJ28GF	50
UBJ28GF	75



NOTES: UNLESS OTHERWISE SPECIFIED.

1. MATERIAL & FINISH:

- 1.1 BODY: NICKEL PLATED BRASS
- 1.2 DIELECTRIC: PTFE (TEFLON)
- 1.3 CENTER CONTACT: GOLD PLATED BERYLLIUM COPPER
- 1.4 INSULATORS: NYLON
- 1.5 MOUNTING HARDWARE: NICKEL PLATED COPPER ALLOY

2. ELECTRICAL: FILTER FUNCTION BETWEEN SHIELD AND CHASSIS.

- 2.1 VOLTAGE RATING: 200 VDC AT SEA LEVEL AND 25°C
- 2.2 CAPACITANCE: 4nFD MIN, 10nFD MAX AT 1 KHz AND 25°C
- 2.3 DISSIPATION FACTOR: 5% MAX AT 1 KHz AND 25°C
- 2.4 DIELECTRIC WITHSTANDING VOLTAGE: 500 VDC AT SEA LEVEL AND 25°C FOR 1 MINUTE
- 2.5 INSULATION RESISTANCE: 1 G- OHM MIN AT 200 VDC AND 25°C
- 2.6 RF INSERTION LOSS (FILTER PERFORMANCE): WHEN MEASURED PER MIL-STD-220 ON A SWEEP FREQUENCY RESPONSE BASIS (WITH 1/2 AMP DRIVEN CURRENT IN 50 & 75 OHM) INSERTION LOSS SHALL BE AS FOLLOWS: SEE TABLE 2

3. PANEL THICKNESS (MAX): .094

4. PANEL NUT TORQUE (MAX): 25 IN LBS

TABLE 2	
FREQUENCY (MHz)	ATTENUATION (MIN dB @ 25°C)
1	1
3	2
10	8
30	16
100	30
300	30
1000	30

		<b>TROMPETER</b>	
	<b>RoHS2</b> 2011/65/EU	Title: BNC COAXIAL BLKD MT FEED THRU JACK WITH GROUD FILTERING CAPACITOR	
<small>This PROPRIETARY Document is property of Cinch Connectivity Solutions. It is confidential in nature, non-transferable, and issued with the clear understanding that it is not traced or copied without permission and is returnable upon demand.</small>	<small>UNLESS OTHERWISE SPECIFIED</small> UNITS: INCH .XX ±.02 .XXX ±.005 ANGLES ±2°	Model No. <b>U/BJ28GF</b>	Size <b>A</b>
<small>INTERPRET DRAWING IN ACCORDANCE WITH ASME Y14.5-2009.</small>	DO NOT SCALE DRAWING	Date: 10/6/2014	Sheet 1 of 1