



Chipsmall Limited consists of a professional team with an average of over 10 year of expertise in the distribution of electronic components. Based in Hongkong, we have already established firm and mutual-benefit business relationships with customers from,Europe,America and south Asia,supplying obsolete and hard-to-find components to meet their specific needs.

With the principle of “Quality Parts,Customers Priority,Honest Operation,and Considerate Service”,our business mainly focus on the distribution of electronic components. Line cards we deal with include Microchip,ALPS,ROHM,Xilinx,Pulse,ON,Everlight and Freescale. Main products comprise IC,Modules,Potentiometer,IC Socket,Relay,Connector.Our parts cover such applications as commercial,industrial, and automotives areas.

We are looking forward to setting up business relationship with you and hope to provide you with the best service and solution. Let us make a better world for our industry!



## Contact us

Tel: +86-755-8981 8866 Fax: +86-755-8427 6832

Email & Skype: info@chipsmall.com Web: www.chipsmall.com

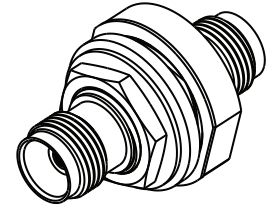
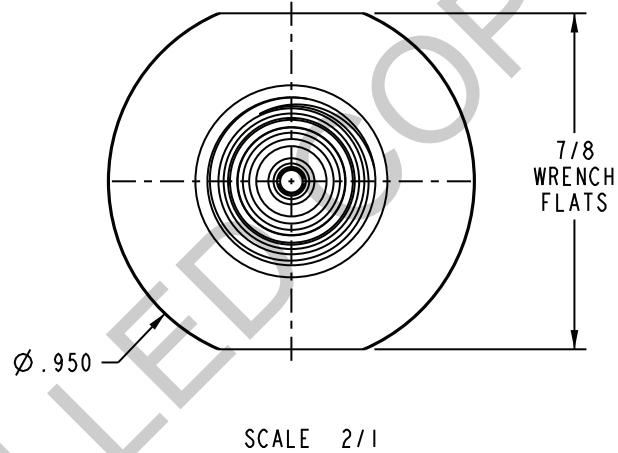
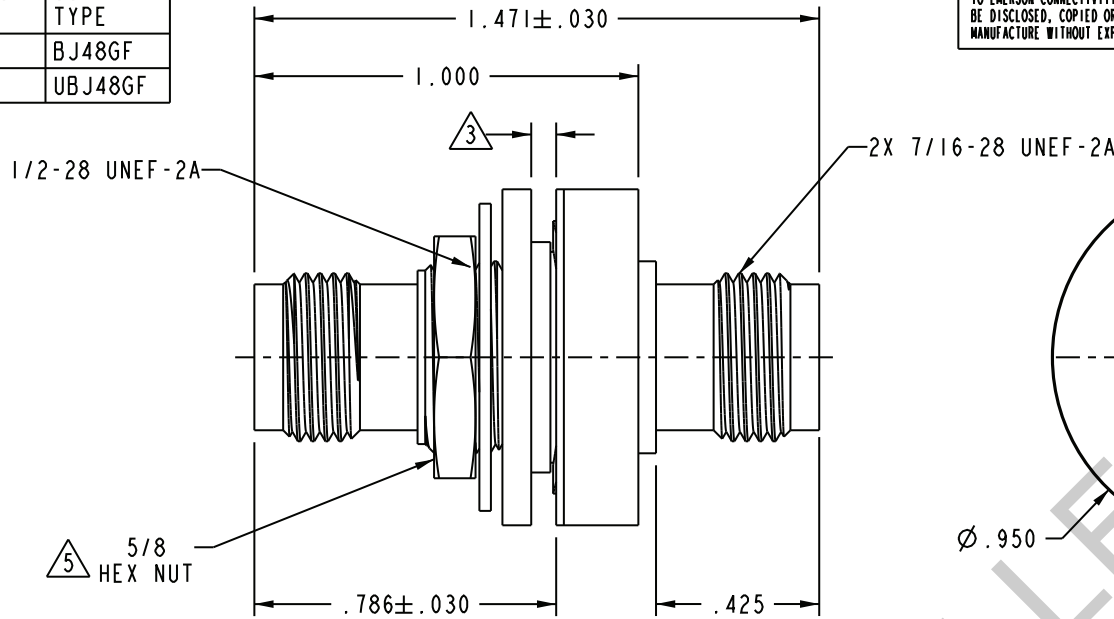
Address: A1208, Overseas Decoration Building, #122 Zhenhua RD., Futian, Shenzhen, China



DASH NO	CONN TYPE
-1	BJ48GF
-2	UBJ48GF

DATA CONTAINED IN THIS DOCUMENT IS PROPRIETARY TO EMERSON CONNECTIVITY SOLUTIONS AND SHALL NOT BE DISCLOSED, COPIED OR USED FOR PROCUREMENT OR MANUFACTURE WITHOUT EXPRESS WRITTEN PERMISSION

REVISIONS			
REV	DESCRIPTIONS	DATE	APPROVED
E	ECO 53753	10/19/11	CAA



5 TIGHTEN TO 25 INCH-POUNDS MAXIMUM INSTALLATION TORQUE

4. FILTER FUNCTION BETWEEN SHIELD AND CHASSIS:

- (A) VOLTAGE RATING: 200 VDC AT SEA LEVEL AND 25° C
- (B) CAPACITANCE: 4nFD MINIMUM 10nFD MAXIMUM AT 1KHz AND 25° C
- (C) DISSIPATION FACTOR: 5% MAXIMUM AT 1 KHz AND 25° C
- (D) DIELECTRIC WITHSTANDING VOLTAGE: 500 VDC AT SEA LEVEL AND 25° C FOR 1 MINUTE
- (E) INSULATION RESISTANCE: 1 G- OHM MINIMUM AT 200 VDC AND 25° C
- (F) RF INSERTION LOSS (FILTER PERFORMANCE) : WHEN MEASURED PER MIL-STD-220 ON A SWEEP FREQUENCY RESPONSE BASIS (WITH 1/2 AMP DRIVEN CURRENT IN 50 OR 75 OHM) INSERTION LOSS SHALL BE AS FOLLOWS:

FREQUENCY (MHZ)	(ATTENUATION MINIMUM dB AT 25° C)
1	1
3	2
10	8
30	16
100	30
300	30
1000	30

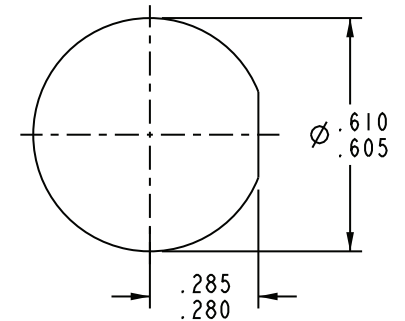
3 MAXIMUM PANEL THICKNESS .094

2. FINISH: TFS-1A (NICKEL)


1. 50 & 75 OHM BNC COAXIAL BULKHEAD MOUNT FEED THRU RECEPTACLE WITH GROUND FILTERING CAPACITOR

NOTES: UNLESS OTHERWISE SPECIFIED.

- 1 SHOWN



RECOMMENDED  
PANEL CUTOUT  
SCALE 2/1

INTERPRET DRAWING PER MIL-STD-100. DIMENSIONS ARE IN INCHES AND INCLUDE FINISH THICKNESS UNLESS OTHERWISE SPECIFIED.		TOL: UNLESS SPECIFIED. .XX ± .02 .XXX ± .010 ANGLE ± 1°		 Cinch Connectivity Solutions 299 Johnson Ave. Ste. 100 Waseca, MN 56093 1-800-247-8256	
DRW BPK 10/24/11	CHK CAA 10/19/11	MATERIAL:	TITLE:  U/B J48GF		
N/A		QUALITY	FINISH:		
BLANK LENGTH (REF. ONLY)		MANUF	SIZE A	CAGE CODE 14949	DRAWING NO. 1-0485
N/A		APPROVED	DATE 5/28/86		REV. E
SURFACE AREA		PROF TITLE NO. 1-0485	DO NOT SCALE DWG	SCALE 2/1	SHEET 1 OF 2