



Chipsmall Limited consists of a professional team with an average of over 10 year of expertise in the distribution of electronic components. Based in Hongkong, we have already established firm and mutual-benefit business relationships with customers from,Europe,America and south Asia,supplying obsolete and hard-to-find components to meet their specific needs.

With the principle of “Quality Parts,Customers Priority,Honest Operation,and Considerate Service”,our business mainly focus on the distribution of electronic components. Line cards we deal with include Microchip,ALPS,ROHM,Xilinx,Pulse,ON,Everlight and Freescale. Main products comprise IC,Modules,Potentiometer,IC Socket,Relay,Connector.Our parts cover such applications as commercial,industrial, and automotives areas.

We are looking forward to setting up business relationship with you and hope to provide you with the best service and solution. Let us make a better world for our industry!



Contact us

Tel: +86-755-8981 8866 Fax: +86-755-8427 6832

Email & Skype: info@chipsmall.com Web: www.chipsmall.com

Address: A1208, Overseas Decoration Building, #122 Zhenhua RD., Futian, Shenzhen, China



UBM (FIGURE 1)	*UBMC (FIGURE 2)	DIM. "A"
PART NO.	PART NO.	
UBM-12.3M-01	*UBMC-12.3M-01	.48 [12.3]
UBM-15.5M-01	*UBMC-15.5M-01	.61 [15.5]
UBM-22.0M-01	*UBMC-22.0M-01	.87 [22]

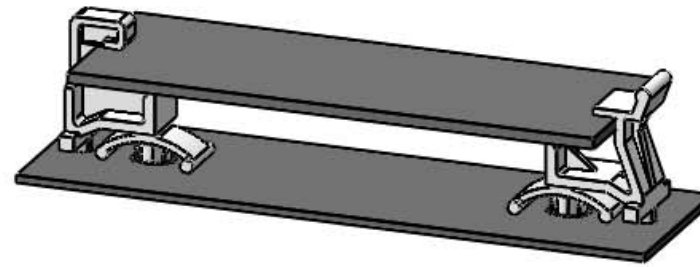
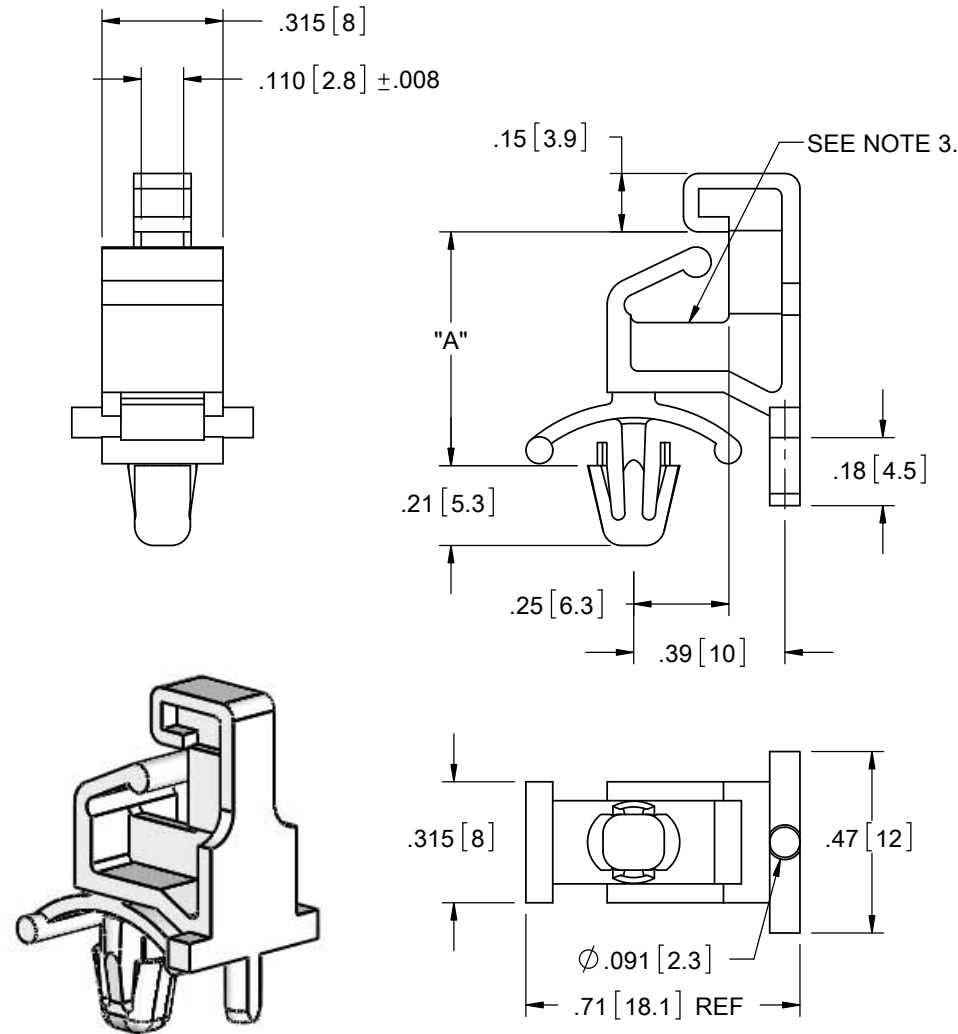


FIGURE 1



MOUNTING LAYOUT

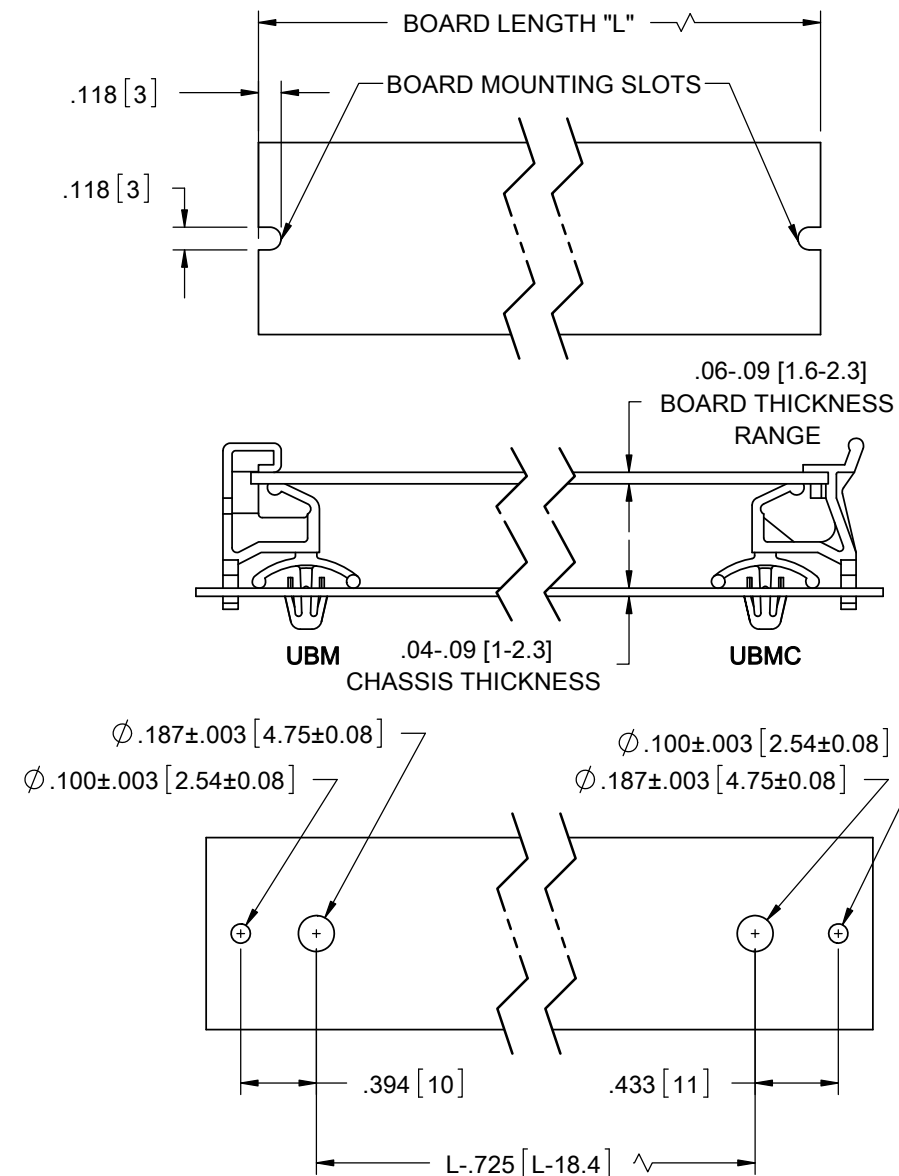
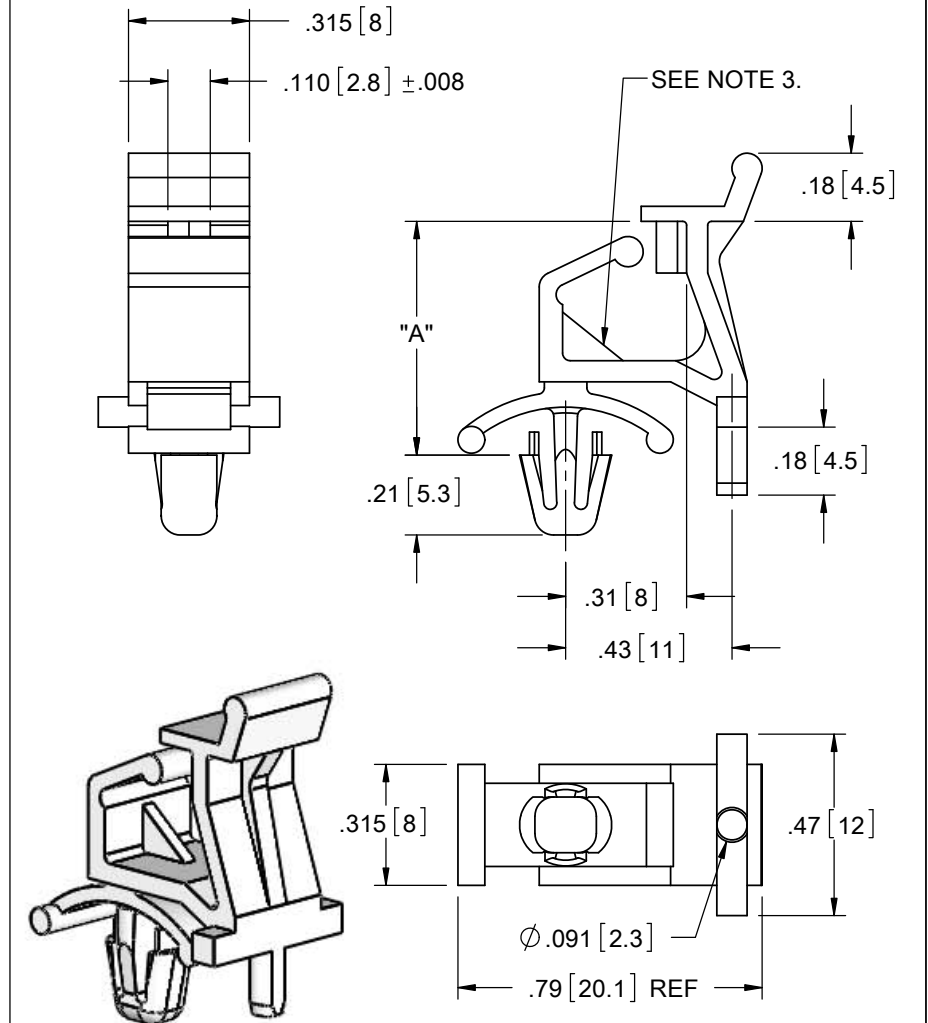


FIGURE 2



*PARTS AVAILABLE BY SPECIAL ORDER ONLY

- NOTES:
- STANDARD MATERIAL: NYLON 6/6 UL 94 V-2 (RMS-01), COLOR NATURAL.
 - ALTERNATE MATERIAL AVAILABLE BY SPECIAL ORDER: NYLON 6/6 UL94 V-0 (RMS-19) COLOR NATURAL. TO ORDER REPLACE "-01" WITH "-19NT"
 - RIB FEATURE NOT PRESENT ON "UBM/UBMC-12.3M" PARTS

REV.	DESCRIPTION	ENGR.	DATE
D	ADDED MATERIAL UL94 V-0, CO 200681	SK	06.10.2011
C	ADDED NOTE 3, CO 200675	SK	06.03.2011
B	SEE ECN #1277 FOR CHANGES	SK	01/23/07
A	NEW DRAWING, SEE ECN #1221 FOR CHANGES	SK	10/12/06
-	SEE ENGINEERING FOR REVISION HISTORY	--	---

TITLE: UNIVERSAL BOARD MOUNT (CLIP)				DWG IN IN [MM]		FINAL	
CREATED USING SOLIDWORKS	FILE #: UBM(C)	DWN: SK	APP: RT	PART #			
TOLERANCES UNLESS NOTED .XX=±.010 .XXX=±.005 FRAC.=±1/64 ANG.=±1°	SHEET: 1 OF 1	SHEET SIZE: B	DT: 10/11/06	CHKD: SJ	SEE TABLE		
RE: RICHCO, INC.	RICHCO, INC. ENG@RICHCO-INC.COM (773) 539-4060		PRINT TYPE		CA		