



Chipsmall Limited consists of a professional team with an average of over 10 year of expertise in the distribution of electronic components. Based in Hongkong, we have already established firm and mutual-benefit business relationships with customers from,Europe,America and south Asia,supplying obsolete and hard-to-find components to meet their specific needs.

With the principle of “Quality Parts,Customers Priority,Honest Operation,and Considerate Service”,our business mainly focus on the distribution of electronic components. Line cards we deal with include Microchip,ALPS,ROHM,Xilinx,Pulse,ON,Everlight and Freescale. Main products comprise IC,Modules,Potentiometer,IC Socket,Relay,Connector.Our parts cover such applications as commercial,industrial, and automotives areas.

We are looking forward to setting up business relationship with you and hope to provide you with the best service and solution. Let us make a better world for our industry!



Contact us

Tel: +86-755-8981 8866 Fax: +86-755-8427 6832

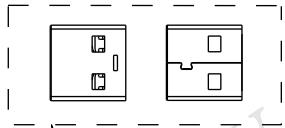
Email & Skype: info@chipsmall.com Web: www.chipsmall.com

Address: A1208, Overseas Decoration Building, #122 Zhenhua RD., Futian, Shenzhen, China

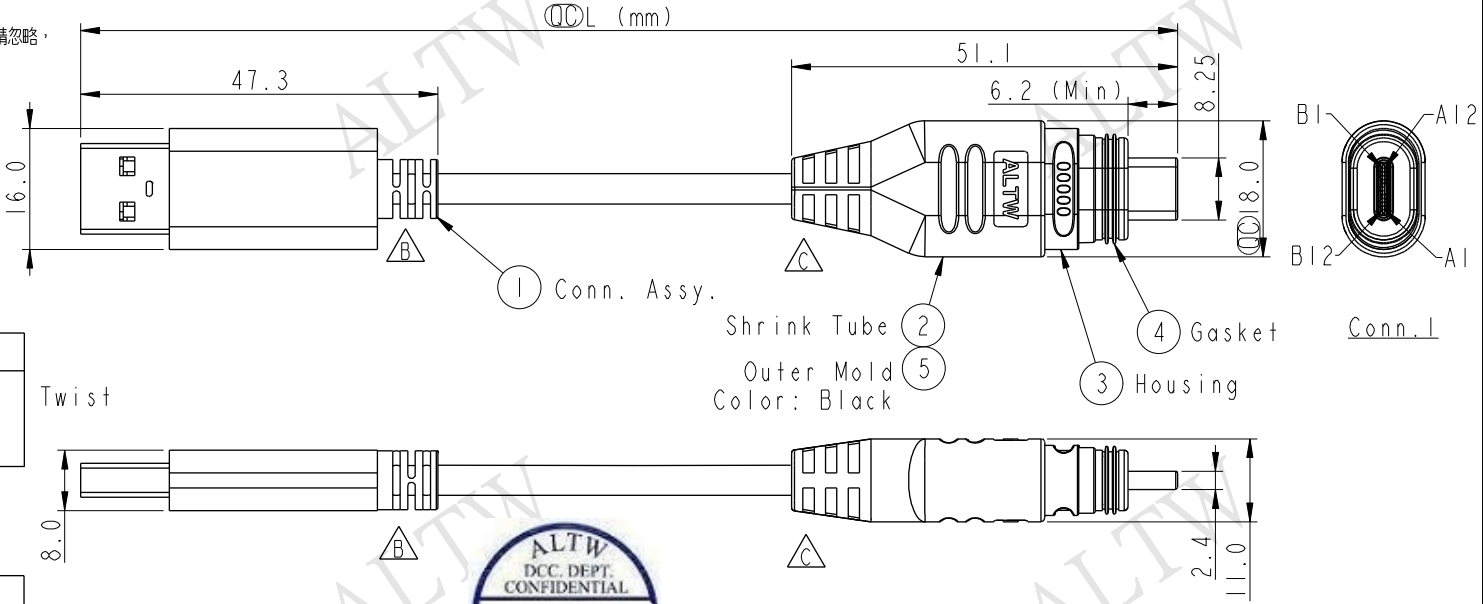
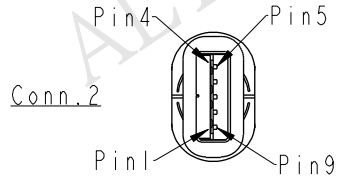


THIS DOCUMENT IS SUBJECT TO CHANGE WITHOUT NOTICE. IT IS CONFIDENTIAL AND A PROPERTY OF Amphenol LTW. DISCLOSURE TO THIRD PARTY HAS TO BE AUTHORIZED BY Amphenol LTW.

REV.	ECN NO.	DATE	SIGN	DESCRIPTION
A	Initial release	2016/05/18	Doreen	New item
B	LEN16B0032	2016/10/14	Cheng	Update SR of Conn.2 and note
C	LEN1781130	2017/08/15	Neo	Change Conn.1 SR

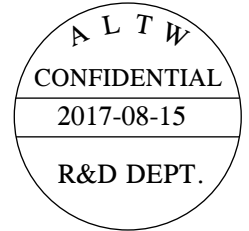


Ⓞ Type A 金屬外殼結合縫外觀樣式非QC重點，請忽略，
 △ Type A 除此部分，外觀尺寸大小皆須符合圖面



Shield	Braid	編織	Shield
9	Blue	藍	B11
8	White	白	B10
7	Drain	地線	B12
			B1
			A12
			A1
6	Drain	地線	B12
			B1
			A12
			A1
5	Blue	藍	A2
4	White	白	A3
4	Drain	地線	B12
			B1
			A12
3	Green	綠	A1
			A6
			A7
2	White	白	B9
			B4
			A9
			A4
1	Red	紅	
Conn.2	Wire Color		Conn.1
Pin Out			

Jump Wire



Part Number: UC-30AMM-QD8BXX
 Cable length--XX: 01~03 Meters
 01: 1 Meter
 02: 2 Meters
 03: 3 Meters
 Cable Length tolerance: 1~3M±50mm

- Note:
- * Ⓞ Important Dimension
 - * Conn.1: USB Type C, Plug
 - * Housing: PP, UL94 V-0, Black
 - * Gasket: Silicone, Black △
 - * Waterproof Rate: IP68(Mated)(under water ,1M 24H)
 - * Conn.2: USB Type A 3.0, Plug
 - * Non-waterproof.
 - * Cable: (USB3.0) (30AWG*2C+D+A1/My)*2+32AWG*IP +23AWG*1C+D+A1/My+B,PVC Jacket, OD=4.0mm, Black

A	UNIT:mm	TITLE USB TYPE C TO USB 3.0 TYPE A PLUG		ITEM NO	DRAWN BY Neo	DATE 2017/08/15
	TOLERANCE ±0.5	SCALE 1:1	SIZE A4	DWG NO UC-30AMM-QD8BXX	CHECKED BY Kris	DATE 2017/08/15
		REV. C	WC-REV. A.27	CUSTOMER ALTW	APPROVED BY Max	DATE 2017/08/15

Amphenol LTW
 安費諾亮泰企業股份有限公司