



Chipsmall Limited consists of a professional team with an average of over 10 year of expertise in the distribution of electronic components. Based in Hongkong, we have already established firm and mutual-benefit business relationships with customers from,Europe,America and south Asia,supplying obsolete and hard-to-find components to meet their specific needs.

With the principle of “Quality Parts,Customers Priority,Honest Operation,and Considerate Service”,our business mainly focus on the distribution of electronic components. Line cards we deal with include Microchip,ALPS,ROHM,Xilinx,Pulse,ON,Everlight and Freescale. Main products comprise IC,Modules,Potentiometer,IC Socket,Relay,Connector.Our parts cover such applications as commercial,industrial, and automotives areas.

We are looking forward to setting up business relationship with you and hope to provide you with the best service and solution. Let us make a better world for our industry!



## Contact us

Tel: +86-755-8981 8866 Fax: +86-755-8427 6832

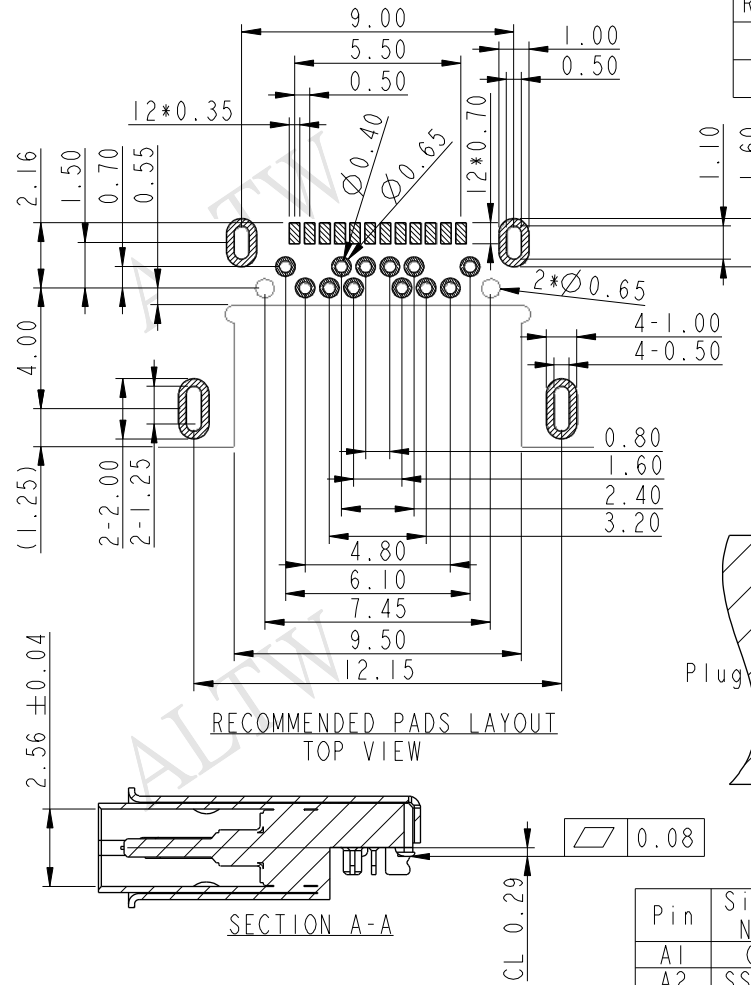
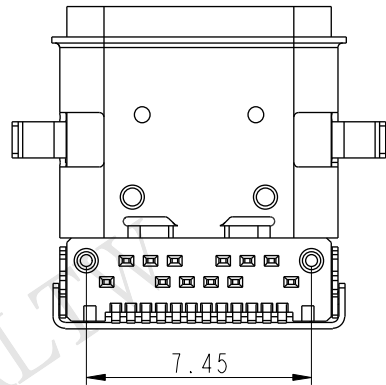
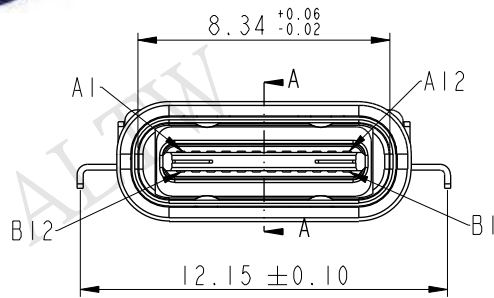
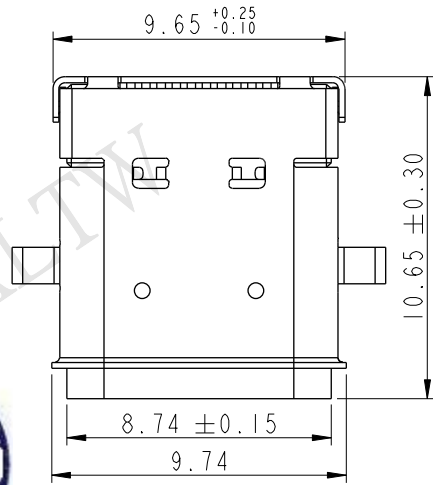
Email & Skype: info@chipsmall.com Web: www.chipsmall.com

Address: A1208, Overseas Decoration Building, #122 Zhenhua RD., Futian, Shenzhen, China

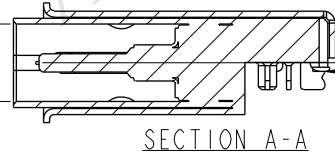


ALTW  
CONFIDENTIAL  
2018-05-07  
R&D DEPT.

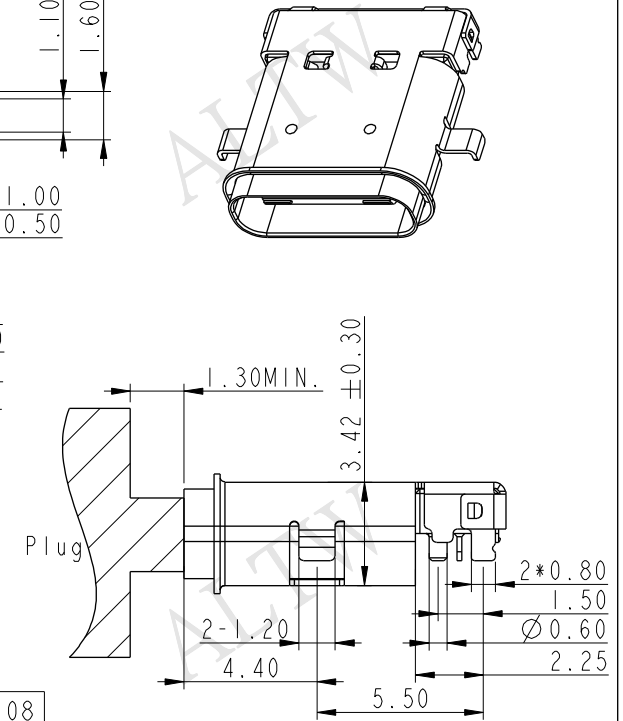
ALTW  
DCC. DEPT.  
CONFIDENTIAL  
2018.05.29  
ISSUED



RECOMMENDED PADS LAYOUT  
TOP VIEW



SECTION A-A



Pin	Signal Name	Mating Sequence	Pin	Signal Name	Mating Sequence
A1	GND	First	B12	GND	First
A2	SSTXp1	Second	B11	SSRXp1	Second
A3	SSTXn1	Second	B10	SSRXn1	Second
A4	Vbus	First	B9	Vbus	First
A5	CC1	Second	B8	SBU2	Second
A6	Dp1	Second	B7	Dn2	Second
A7	Dn1	Second	B6	Dp2	Second
A8	SBU1	Second	B5	CC2	Second
A9	Vbus	First	B4	Vbus	First
A10	SSRXn2	Second	B3	SSTXn2	Second
A11	SSRXp2	Second	B2	SSTXp2	Second
A12	GND	First	B1	GND	First
SHELL		GND	SHELL		GND

- Note:
- \* IP: IP67
  - \* Connecote: Thermoplastic
  - \* Pin: Copper Alloy, 30u" Gold
  - \* Shield: Stainless (Inner)  
Stainless & Nickel Plating (Out)
  - \* Operating Temperature: -40°C To +85°C

UNIT: mm  
TOLERANCE  
±0.5 mm

TITLE  
USB 3.1 C TYPE JACK  
SCALE 4:1  
SIZE A4  
SHEET 1 OF 3  
REV. B  
WC-REV. A.3  
QC: Inspection item

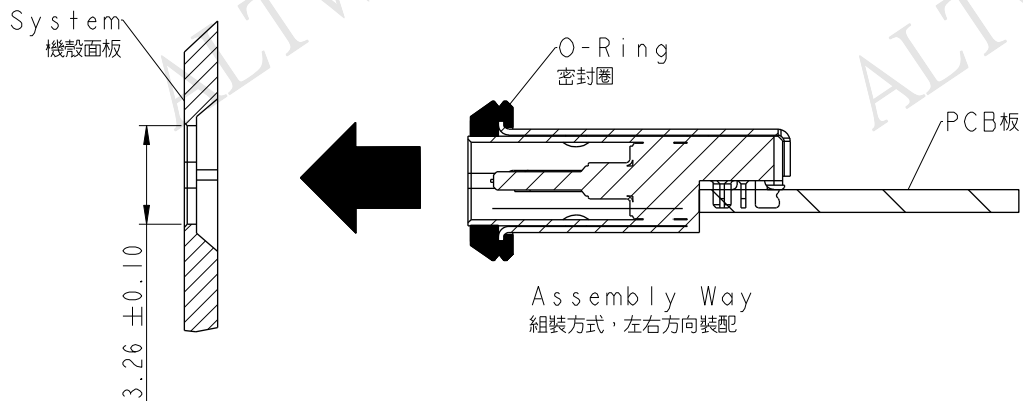
Amphenol LTW  
安費諾亮泰企業股份有限公司

ITEM NO. UC-31PFFH-QF7001  
DWG NO. UC-31PFFH-QF7001  
CUSTOMER ALTW

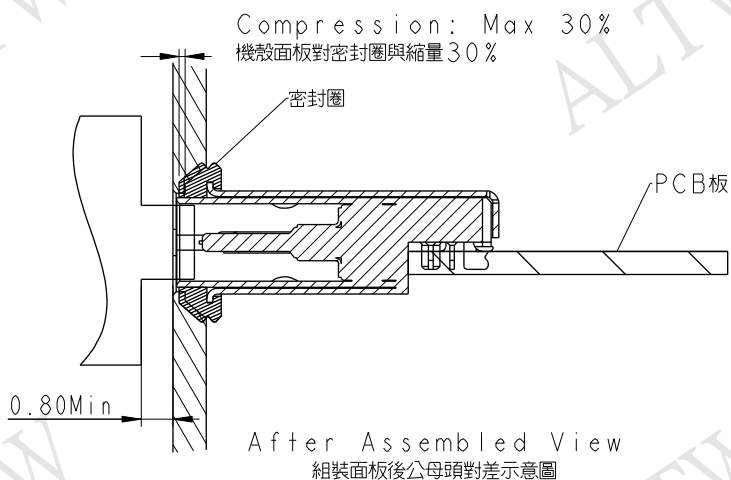
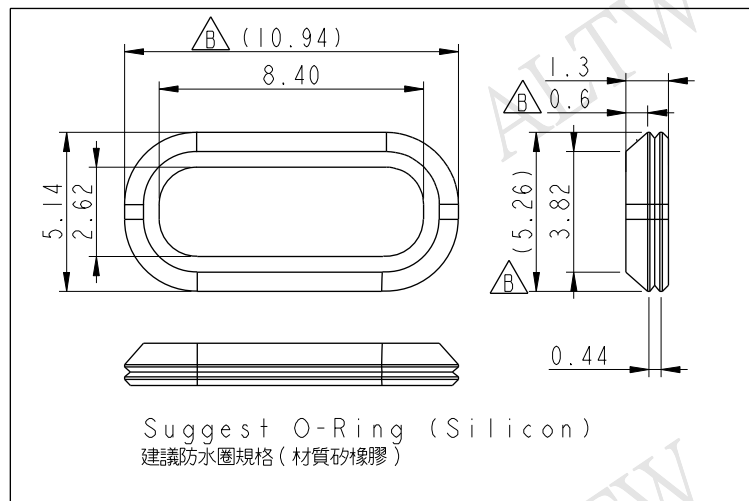
DRAWN BY Neo  
CHECKED BY Kelly  
APPROVED BY Max

DATE 2018/05/07  
DATE 2018/05/07  
DATE 2018/05/07

THIS DOCUMENT IS SUBJECT TO CHANGE WITHOUT NOTICE. IT IS CONFIDENTIAL AND A PROPERTY OF Amphenol LTW. DISCLOSURE TO THIRD PARTY HAS TO BE AUTHORIZED BY Amphenol LTW.



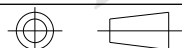
Assembly Way  
組裝方式，左右方向裝配



After Assembled View  
組裝面板後公母頭對差示意圖



UNIT: mm



TOLERANCE

±0.5 mm

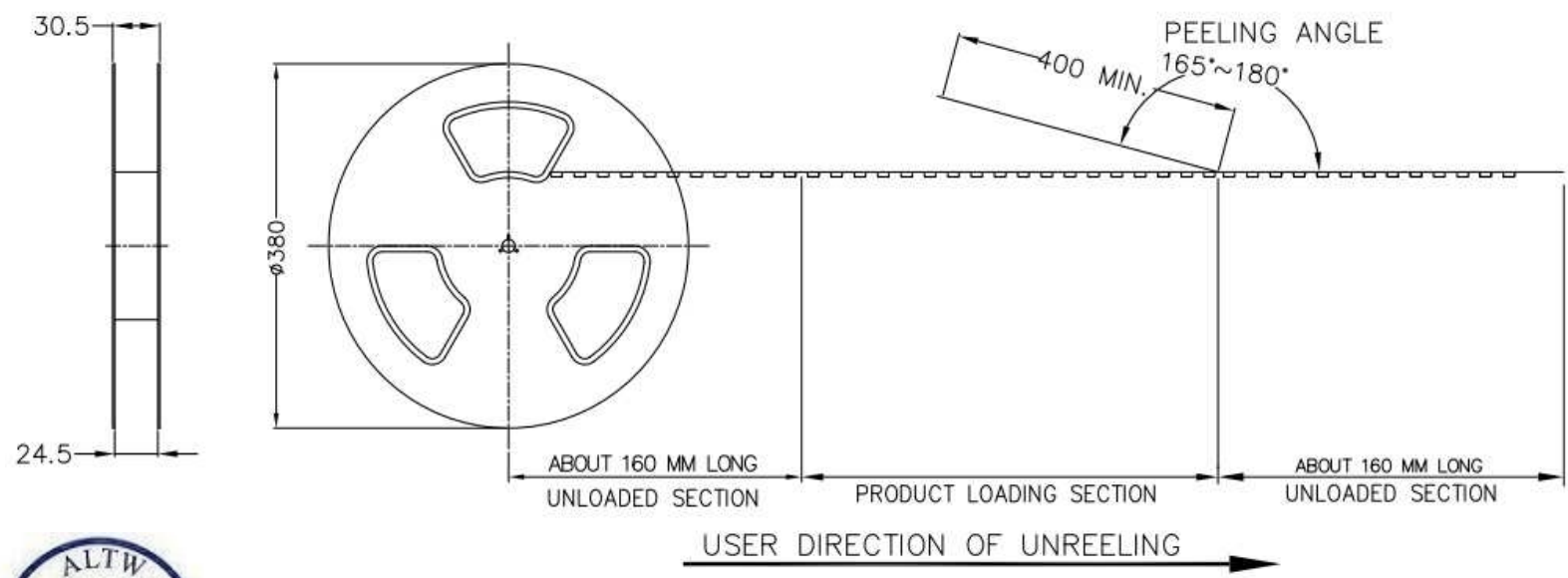
TITLE USB 3.1 C TYPE JACK			
SCALE 4:1	SIZE A4	SHEET 2 OF 3	
REV. B	WC-REV. A.3	QC: Inspection item	

**Amphenol LTW**  
安費諾亮泰企業股份有限公司

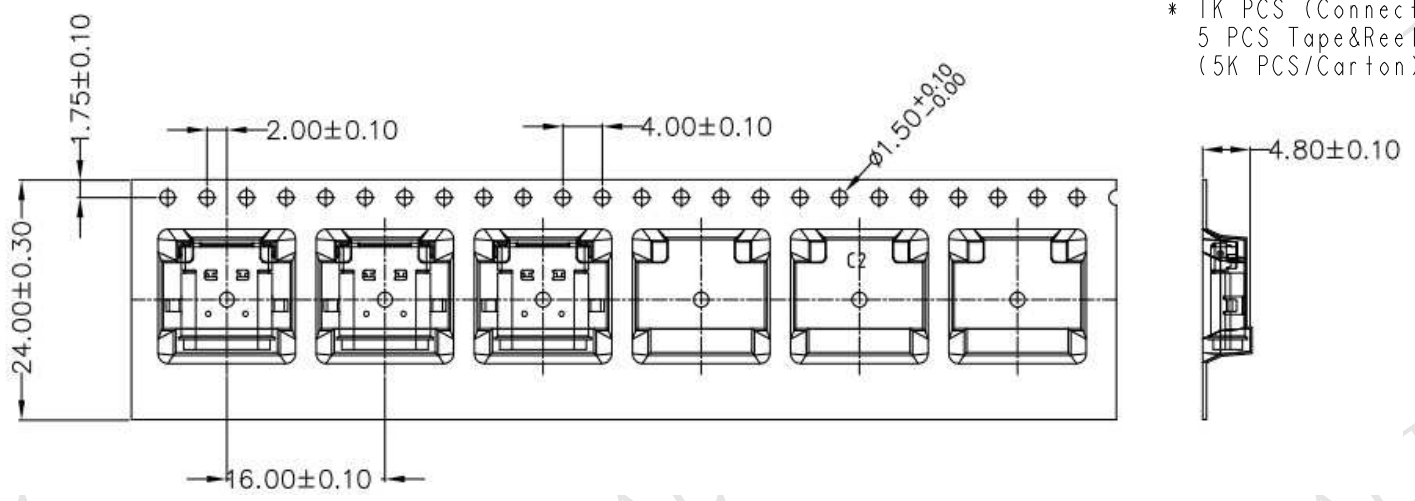
ITEM NO. UC-31PFFH-QF7001	DRAWN BY Neo	DATE 2018/05/07
DWG NO. UC-31PFFH-QF7001	CHECKED BY Kelly	DATE 2018/05/07
CUSTOMER ALTW	APPROVED BY Max	DATE 2018/05/07



THIS DOCUMENT IS SUBJECT TO CHANGE WITHOUT NOTICE. IT IS CONFIDENTIAL AND A PROPERTY OF Amphenol LTW. DISCLOSURE TO THIRD PARTY HAS TO BE AUTHORIZED BY Amphenol LTW.



\* 1K PCS (Connector) In A Tape&Reel  
 5 PCS Tape&Reel In A Carton  
 (5K PCS/Carton)



UNIT:mm   
 TOLERANCE  
 ±0.5

TITLE USB 3.1 C TYPE JACK			
SCALE 3:1	SIZE A4	SHEET 3 OF 3	
REV. B	WC-REV. A.3	QC: Inspection item	

**Amphenol LTW**  
 安費諾亮泰企業股份有限公司

ITEM NO UC-31PFFH-QF7001	DRAWN BY Neo	DATE 2018/05/07
DWG NO UC-31PFFH-QF7001	CHECKED BY Kelly	DATE 2018/05/07
CUSTOMER ALTW	APPROVED BY Max	DATE 2018/05/07