



Chipsmall Limited consists of a professional team with an average of over 10 year of expertise in the distribution of electronic components. Based in Hongkong, we have already established firm and mutual-benefit business relationships with customers from,Europe,America and south Asia,supplying obsolete and hard-to-find components to meet their specific needs.

With the principle of “Quality Parts,Customers Priority,Honest Operation,and Considerate Service”,our business mainly focus on the distribution of electronic components. Line cards we deal with include Microchip,ALPS,ROHM,Xilinx,Pulse,ON,Everlight and Freescale. Main products comprise IC,Modules,Potentiometer,IC Socket,Relay,Connector.Our parts cover such applications as commercial,industrial, and automotives areas.

We are looking forward to setting up business relationship with you and hope to provide you with the best service and solution. Let us make a better world for our industry!



Contact us

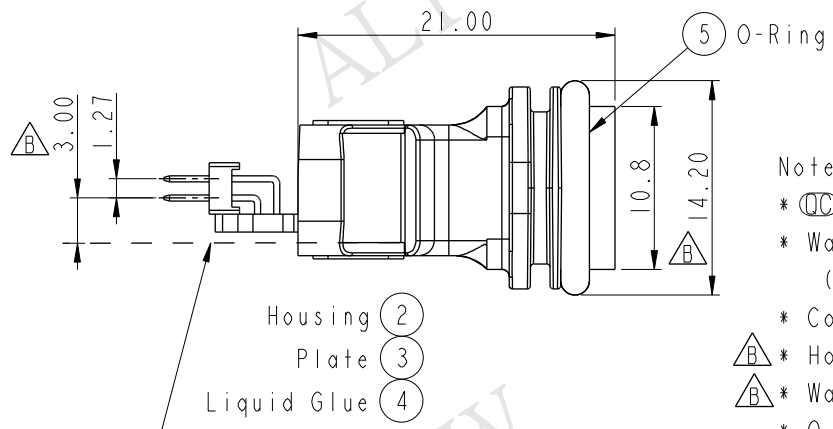
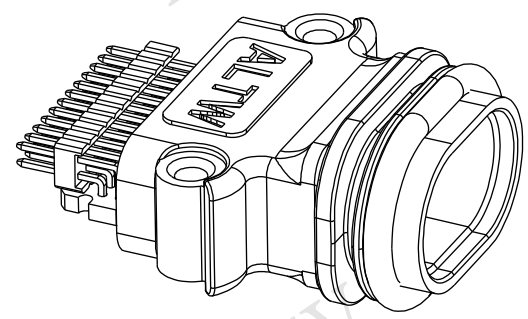
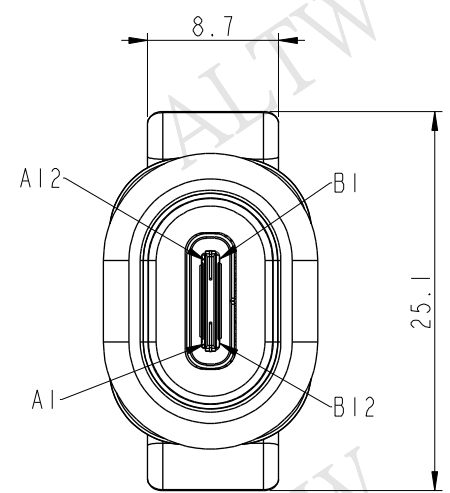
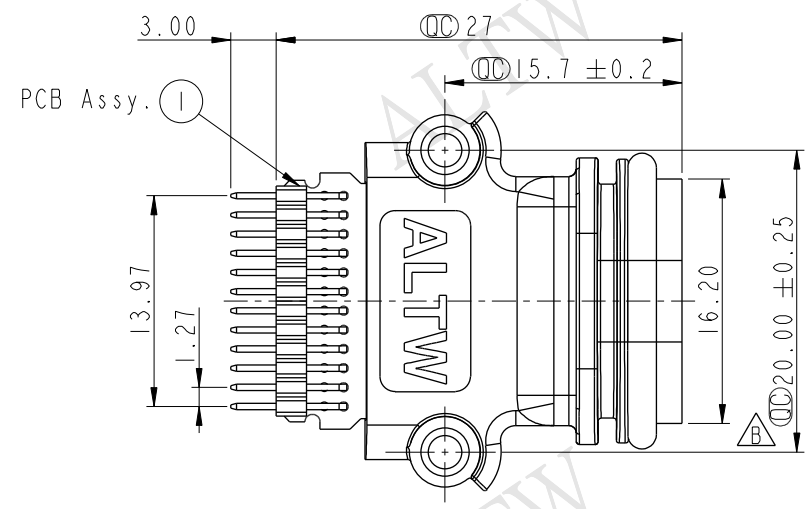
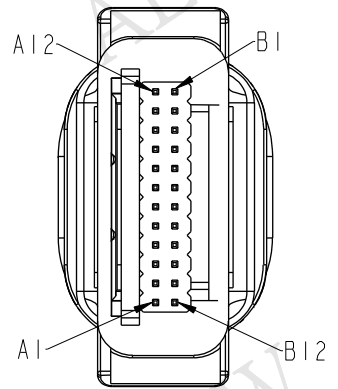
Tel: +86-755-8981 8866 Fax: +86-755-8427 6832

Email & Skype: info@chipsmall.com Web: www.chipsmall.com

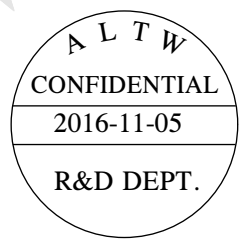
Address: A1208, Overseas Decoration Building, #122 Zhenhua RD., Futian, Shenzhen, China



| REV. | ECN NO. | DATE | SIGN | DESCRIPTION |
|------|-----------------|------------|--------|--------------------------------|
| A | Initial release | 2016/05/10 | Doreen | New ITEM. |
| B | LE316B0101 | 2016/10/21 | Cheng | Change Note, Change Dimensions |



△ Surface of Screw Post

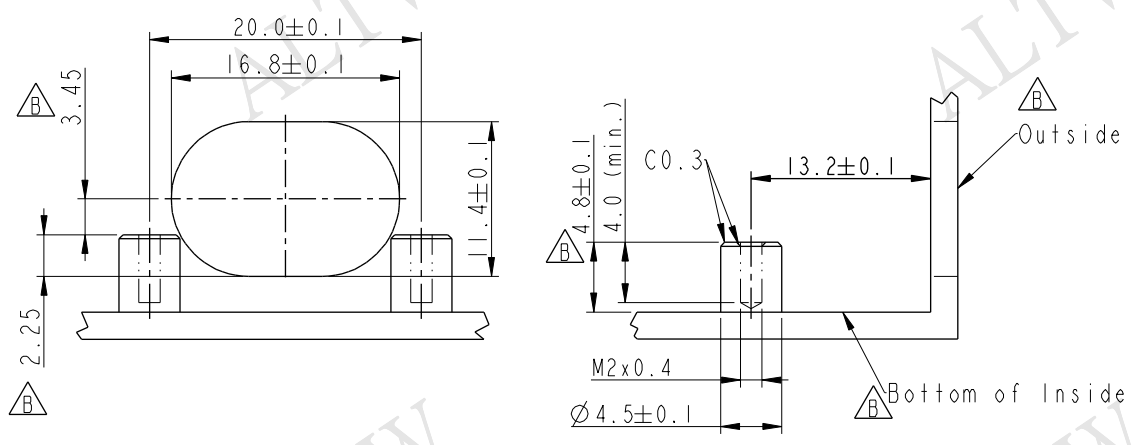


- Note:
- * ∅ Important Dimension
 - * Waterproof Rate: IP68(Unmated)
(Under water 1M, 24H)
 - * Connector: USB Type C Female
 - * △ Housing: Nylon+25%GF, UL94 V-0, F1, Black
 - * △ Wafer: 24Pin Header, Dual Row, Pitch=1.27mm
 - * O-Ring: Silicone, Gray
 - * Panel Thickness max: 4.0mm
 - * All Parts Are RoHS Compliant

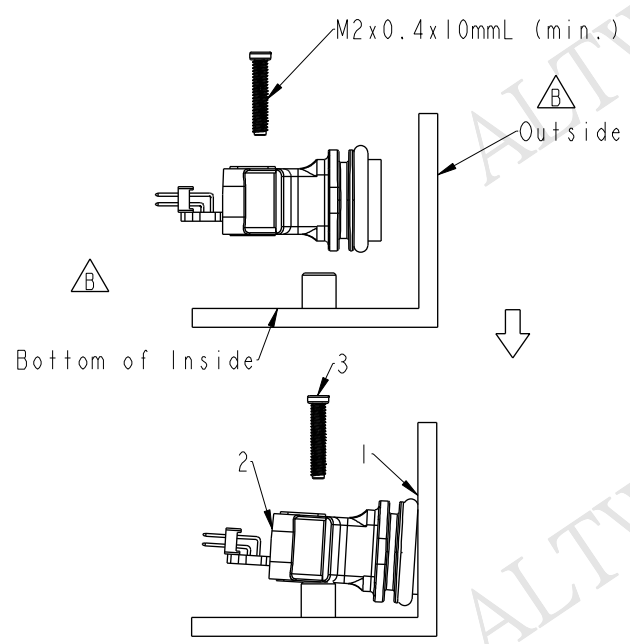
| | | | | | | | | |
|------------|--|---------------------|----------|--------------------|----|------------------|-------------|--------------------|
| UNIT: mm | | TITLE | | Amphenol LTW | | ITEM NO | DRAWN BY | DATE |
| | | USB 3.1 TYPE C JACK | | 安費諾亮泰企業股份有限公司 | | UC-31PFFP-QS8001 | Cheng | 2016/10/21 |
| TOLERANCE | | SCALE | SIZE | SHEET | OF | DWG NO | CHECKED BY | DATE |
| .X ±0.25 | | 2:1 | A4 | 1 | 2 | UC-31PFFP-QS8001 | Jush | 2016/10/21 |
| .XX ±0.1 | | REV. | INC-REV. | ∅: Inspection item | | CUSTOMER | APPROVED BY | DATE |
| .XXX ±0.05 | | B | A.28 | | | ALTW | Max | 2016/10/21 |
| ANGLES ±1° | | | | | | | | 8 FFW10702-01-02A1 |

THIS DOCUMENT IS SUBJECT TO CHANGE WITHOUT NOTICE. IT IS CONFIDENTIAL AND A PROPERTY OF Amphenol LTW. DISCLOSURE TO THIRD PARTY HAS TO BE AUTHORIZED BY Amphenol LTW.

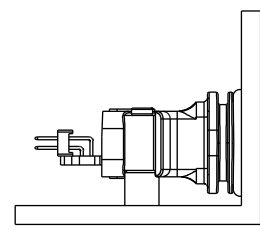
Recommended Panel Cut-Out



Installation.

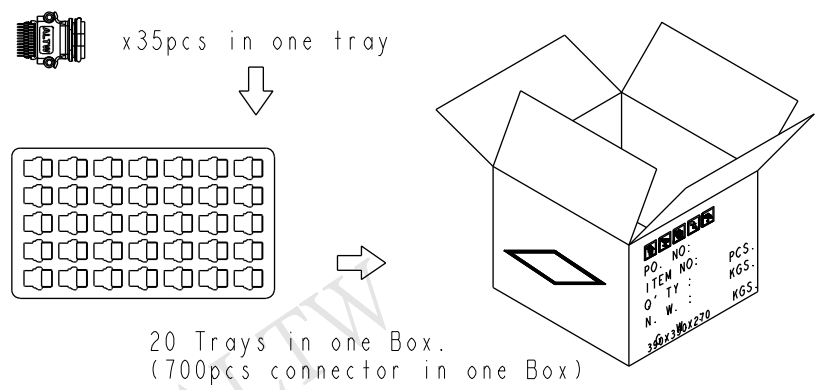


- Step 1. Insert the connector into panel-cut by slanted angle.
 Step 2. The connector incline downward and engage to screw post.
 Step 3. Fastening the screws to fix the connector.
- 第一步：連接器以傾斜角度插入內孔
 第二步：將連接器斜往下壓，與螺絲軸孔卡合
 第三步：鎖上螺絲固定



Finished 完成

Packing Instructions.



20 Trays in one Box.
 (700pcs connector in one Box)

| | |
|-----------|-------|
| UNIT: mm | |
| TOLERANCE | |
| .X | ±0.25 |
| .XX | ±0.1 |
| .XXX | ±0.05 |
| ANGLES | ±1° |

| | | | |
|-------------------------------------|-----------------|---------------------|--|
| TITLE USB USB 3.1 TYPE C JACK | | | |
| SCALE 2:1 | SIZE A4 | SHEET 2 OF 2 | |
| REV. B | MC-REV. A.28 | QC: Inspection item | |

Amphenol LTW
 安費諾亮泰企業股份有限公司

| | | |
|------------------------------|--------------------|--------------------|
| ITEM NO. UC-31PFFP-QS8001 | DRAWN BY Cheng | DATE 2016/10/21 |
| DWG NO. UC-31PFFP-QS8001 | CHECKED BY Jush | DATE 2016/10/21 |
| CUSTOMER ALTW | APPROVED BY Max | DATE 2016/10/21 |