



Chipsmall Limited consists of a professional team with an average of over 10 year of expertise in the distribution of electronic components. Based in Hongkong, we have already established firm and mutual-benefit business relationships with customers from,Europe,America and south Asia,supplying obsolete and hard-to-find components to meet their specific needs.

With the principle of “Quality Parts,Customers Priority,Honest Operation,and Considerate Service”,our business mainly focus on the distribution of electronic components. Line cards we deal with include Microchip,ALPS,ROHM,Xilinx,Pulse,ON,Everlight and Freescale. Main products comprise IC,Modules,Potentiometer,IC Socket,Relay,Connector.Our parts cover such applications as commercial,industrial, and automotives areas.

We are looking forward to setting up business relationship with you and hope to provide you with the best service and solution. Let us make a better world for our industry!



## Contact us

Tel: +86-755-8981 8866 Fax: +86-755-8427 6832

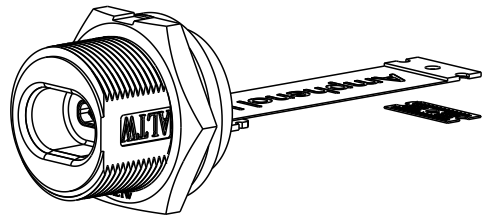
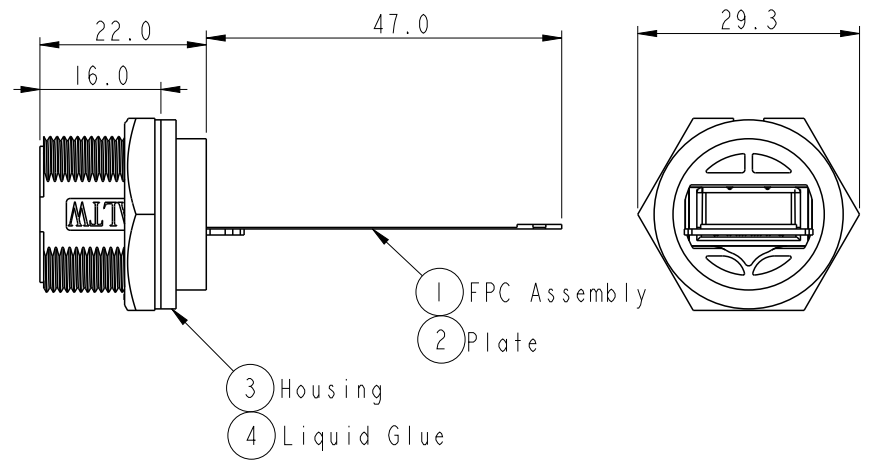
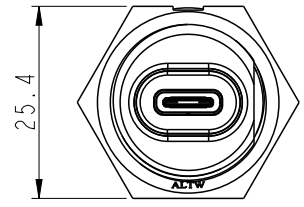
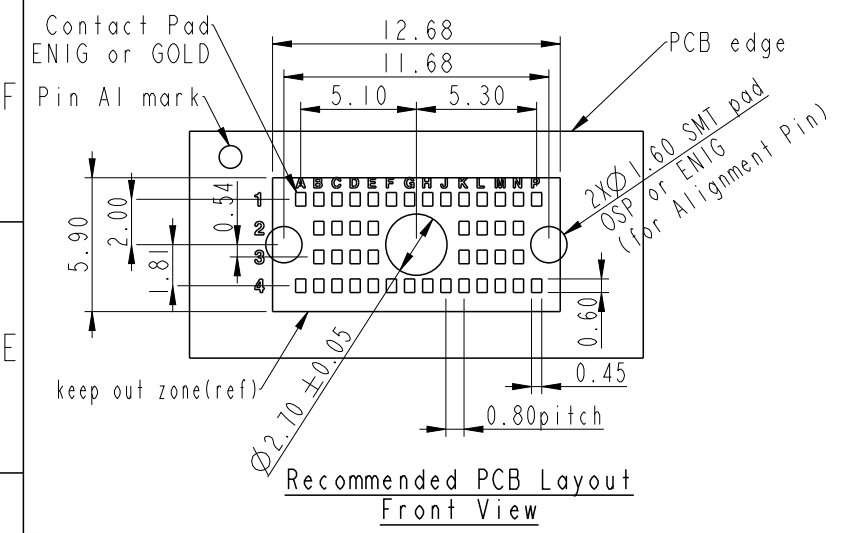
Email & Skype: info@chipsmall.com Web: www.chipsmall.com

Address: A1208, Overseas Decoration Building, #122 Zhenhua RD., Futian, Shenzhen, China

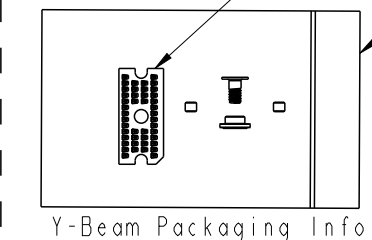


THIS DOCUMENT IS SUBJECT TO CHANGE WITHOUT NOTICE. IT IS CONFIDENTIAL AND A PROPERTY OF Amphenol LTW. DISCLOSURE TO THIRD PARTY HAS TO BE AUTHORIZED BY Amphenol LTW.

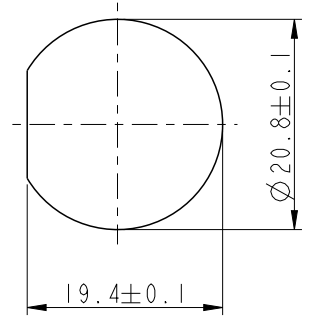
| REV. | DESCRIPTION     |
|------|-----------------|
| A    | Initial Release |



8 44-pin Y-Beam with Screw, Nut & alignment pin  
8 Zipper Bag



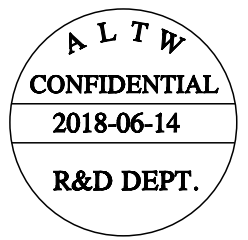
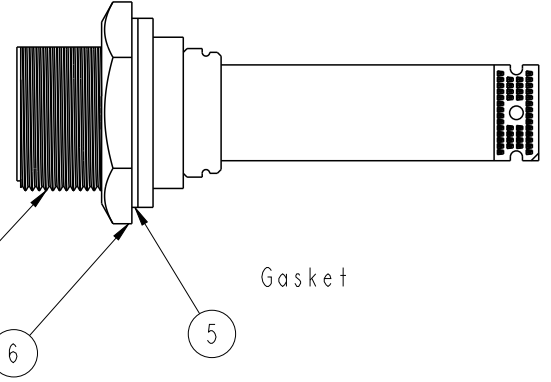
Y-Beam Packaging Info



Recommended Panel Cut-Out

|   | A      | B    | C    | D    | E    | F    | G    | H    | J    | K    | L    | M    | N    | P      |
|---|--------|------|------|------|------|------|------|------|------|------|------|------|------|--------|
| 1 | GND    | GND  | SBU1 | SBU2 | GND  | Vbus | Vbus | Vbus | Vbus | GND  | CC1  | CC2  | GND  | GND    |
| 2 |        | GND  | TX1+ | TX1- | Vbus |      |      |      |      | Vbus | RX2- | RX2+ | GND  |        |
| 3 |        | RX1+ | RX1- | GND  | Vbus |      |      |      |      | Vbus | GND  | TX2- | TX2+ |        |
| 4 | Shield | GND  | GND  | D+   | D-   | Vbus | Vbus | Vbus | Vbus | Vbus | GND  | GND  | GND  | Shield |

PCB Pin Assignment



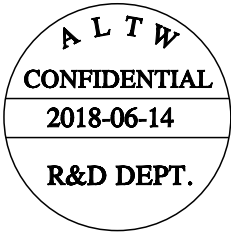
- Note:
- \* Ⓞ Important Dimension
  - \* Waterproof Rate: IP67(Unmated)
  - \* Connector: USB Type C Female
  - \* Housing: Thermoplastic, Black
  - \* O-Ring: Silicone, Gray
  - \* Panel Thickness max: 4.0mm

|           |       |  |
|-----------|-------|--|
| UNIT: mm  |       |  |
| TOLERANCE |       |  |
| .X        | ±0.25 |  |
| .XX       | ±0.1  |  |
| .XXX      | ±0.05 |  |
| ANGLES    | ±1°   |  |

|   |                |                    |  |
|---|----------------|--------------------|--|
| TITLE<br>USB 3.1 Type C<br>Panel Screw M Conn Jack with FPC |                |                    |  |
| SCALE<br>1:1  | SIZE<br>A4     | SHEET<br>1 OF 2    |  |
| REV.<br>A   | WC-REV.<br>A.1 | Ⓞ: Inspection item |  |

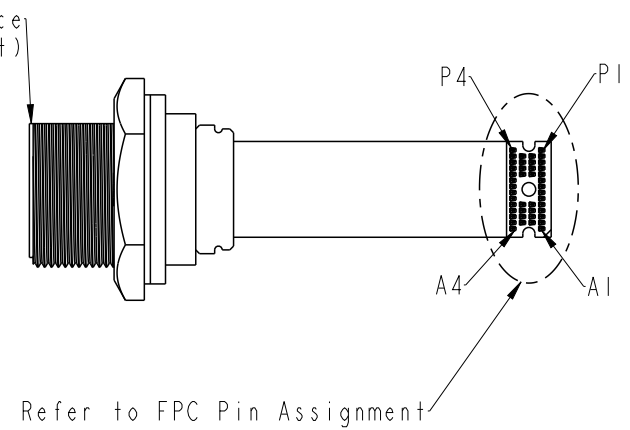
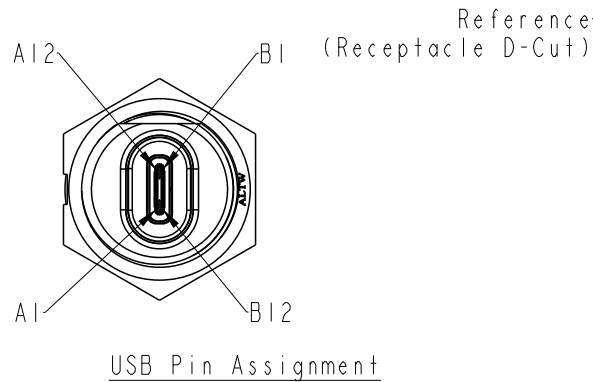
**Amphenol LTW**  
安費諾亮泰企業股份有限公司

|                             |                           |                    |
|-----------------------------|---------------------------|--------------------|
| ITEM NO<br>UC-31PMFY-SC7001 | DRAWN BY<br>Alan MJ Sundo | DATE<br>2018-06-14 |
| DWG NO<br>UC-31PMFY-SC7001  | CHECKED BY<br>Victor Hung | DATE<br>2018-06-14 |
| CUSTOMER<br>ALTW            | APPROVED BY<br>Kevin Hu   | DATE<br>2018-06-14 |



| REV. | ECN NO. | DATE | SIGN | DESCRIPTION |
|------|---------|------|------|-------------|
|      |         |      |      |             |
|      |         |      |      |             |
|      |         |      |      |             |

| Shell            | Ground (GND)      | P4, A4   |
|------------------|-------------------|--|
| A1, B1, A12, B12 | Ground (GND)      | P1, N1, K1, E1, B1, A1<br>N2, B2<br>L3, D3<br>N4, M4, L4, C4, B4 |
| A4, B4, A9, B9   | VBUS              | J1, H1, G1, F1<br>K2, E2<br>K3, E3<br>K4, J4, H4, G4, F4         |
| A2               | SSTXp1            | C2   |
| A3               | SSTXn1            | D2   |
| A5               | CC1               | L1   |
| A6               | Dp1               | D4   |
| A7               | Dn1               | E4   |
| A8               | SBU1              | C1   |
| A10              | SSRXn2            | L2   |
| A11              | SSRXp2            | M2   |
| B2               | SSTXp2            | N3   |
| B3               | SSTXn2            | M3   |
| B5               | CC2               | M1   |
| B6               | Dp2               | D4   |
| B7               | Dn2               | E4   |
| B8               | SBU2              | D1   |
| B10              | SSRXn1            | C3   |
| B11              | SSRXp1            | B3   |
| USB              | Signal Assignment | FPC  |
| Pin Map          |                   |  |



|   | P      | N    | M    | L    | K    | J    | H    | G    | F    | E    | D    | C    | B    | A      |
|---|--------|------|------|------|------|------|------|------|------|------|------|------|------|--------|
| 1 | GND    | GND  | CC2  | CC1  | GND  | Vbus | Vbus | Vbus | Vbus | GND  | SBU2 | SBU1 | GND  | GND    |
| 2 |        | GND  | RX2+ | RX2- | Vbus |      |      |      |      | Vbus | TX1- | TX1+ | GND  |        |
| 3 |        | TX2+ | TX2- | GND  | Vbus |      |      |      |      | Vbus | GND  | RX1- | RX1+ |        |
| 4 | Shield | GND  | GND  | GND  | Vbus | Vbus | Vbus | Vbus | Vbus | D-   | D+   | GND  | GND  | Shield |

FPC Pin Assignment

|              |  |                 |                |  |                           |                         |                  |
|--------------|--|-----------------|----------------|--|---------------------------|-------------------------|------------------|
| UNIT: mm<br> | TITLE: USB 3.1 Type C Panel Screw M Conn Jack with FPC |                 |                | <h1>Amphenol LTW</h1><br>安費諾亮泰企業股份有限公司 | ITEM NO: UC-31PMFY-SC7001 | DRAWN BY: Alan MJ Sundo | DATE: 2018-06-14 |
|              | SCALE: 1:1   | SIZE: A4        | SHEET: 2 OF 2  |  | DWG NO: UC-31PMFY-SC7001  | CHECKED BY: Victor Hung | DATE: 2018-06-14 |
| REV: A       | WC-REV: A.1  | Inspection item | CUSTOMER: ALTW | APPROVED BY: Kevin Hu                  | DATE: 2018-06-14          |                         |                  |

THIS DOCUMENT IS SUBJECT TO CHANGE WITHOUT NOTICE. IT IS CONFIDENTIAL AND A PROPERTY OF AMPHENOL LTW. DISCLOSURE TO THIRD PARTY HAS TO BE AUTHORIZED BY AMPHENOL LTW.