



Chipsmall Limited consists of a professional team with an average of over 10 year of expertise in the distribution of electronic components. Based in Hongkong, we have already established firm and mutual-benefit business relationships with customers from,Europe,America and south Asia,supplying obsolete and hard-to-find components to meet their specific needs.

With the principle of “Quality Parts,Customers Priority,Honest Operation,and Considerate Service”,our business mainly focus on the distribution of electronic components. Line cards we deal with include Microchip,ALPS,ROHM,Xilinx,Pulse,ON,Everlight and Freescale. Main products comprise IC,Modules,Potentiometer,IC Socket,Relay,Connector.Our parts cover such applications as commercial,industrial, and automotives areas.

We are looking forward to setting up business relationship with you and hope to provide you with the best service and solution. Let us make a better world for our industry!



## Contact us

Tel: +86-755-8981 8866 Fax: +86-755-8427 6832

Email & Skype: info@chipsmall.com Web: www.chipsmall.com

Address: A1208, Overseas Decoration Building, #122 Zhenhua RD., Futian, Shenzhen, China

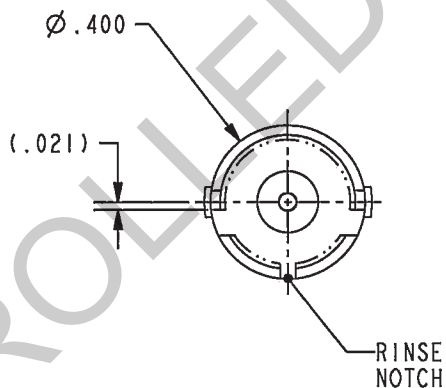
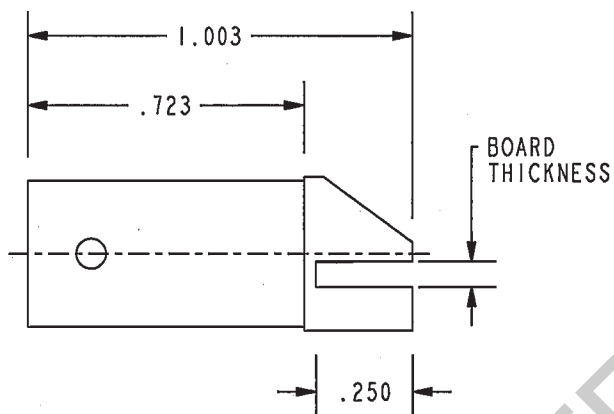
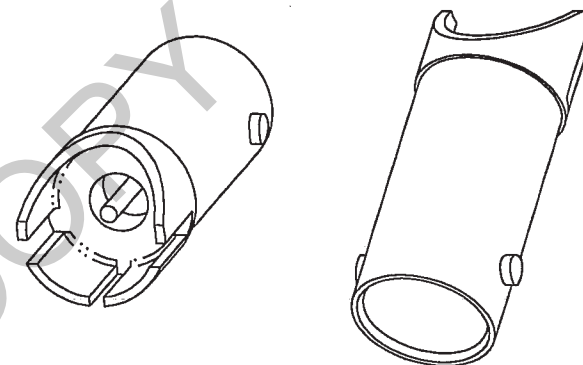


DASH NO	BOARD THICKNESS
-1	.060-.064
-2	.028-.033

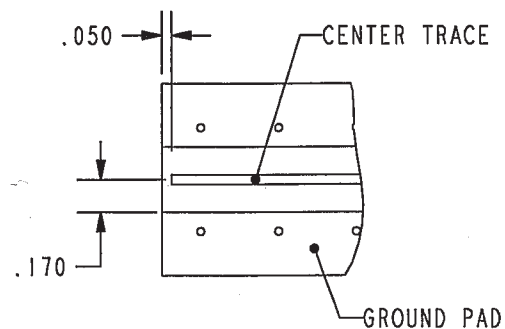
DATA CONTAINED IN THIS DOCUMENT IS PROPRIETARY TO TROMPETER ELECTRONICS INC. AND SHALL NOT BE DISCLOSED, COPIED OR USED FOR PROCUREMENT OR MANUFACTURE WITHOUT EXPRESS WRITTEN PERMISSION.

REVISIONS			
REV	DESCRIPTIONS	DATE	APPROVED
E	REVISED PER ECO 15761	2-3-05	WY

RED INDICATES ORIGINAL



SCALE 2/1



RECOMMENDED  
PCB LAYOUT  
SCALE 1/1


3. EXAMPLE OF COMPLETE MODEL NO.



2. FINISH: BODY: TFS-1B (GOLD, 1G)  
CONTACT: TFS-1B (GOLD, 5G)

1. 75Ω CIRCUIT BOARD EDGE MOUNT  
"BNC" STYLE RECEPTACLE

NOTES: UNLESS OTHERWISE SPECIFIED.

INTERPRET DRAWING PER MIL-STD-100. DIMENSIONS ARE IN INCHES AND INCLUDE FINISH THICKNESS UNLESS OTHERWISE SPECIFIED.		TOL: UNLESS SPECIFIED. .XX ± .02 .XXX ± .010 ANGLE ± 1°		 a cinch connectivity solutions brand	
DRN	AAH	2-1-05	MATERIAL:		
CHK	T.K.H.	2-1-05	FINISH:	UCBJE20	REV. E
QUALITY	M.S.	2/2/05			
MANUF	BP	2/2/05	SEE NOTE 2	SIZE	CAGE CODE
APPROVED	WY	2/1/05	DO NOT SCALE DWG	A	14949
PROJ	ECO NO.	1-0582		SCALE	2/1
NEXT ASSY			DATE	3-21-02	SHEET
			DATE	3-21-02	IC