



Chipsmall Limited consists of a professional team with an average of over 10 year of expertise in the distribution of electronic components. Based in Hongkong, we have already established firm and mutual-benefit business relationships with customers from,Europe,America and south Asia,supplying obsolete and hard-to-find components to meet their specific needs.

With the principle of “Quality Parts,Customers Priority,Honest Operation,and Considerate Service”,our business mainly focus on the distribution of electronic components. Line cards we deal with include Microchip,ALPS,ROHM,Xilinx,Pulse,ON,Everlight and Freescale. Main products comprise IC,Modules,Potentiometer,IC Socket,Relay,Connector.Our parts cover such applications as commercial,industrial, and automotives areas.

We are looking forward to setting up business relationship with you and hope to provide you with the best service and solution. Let us make a better world for our industry!



Contact us

Tel: +86-755-8981 8866 Fax: +86-755-8427 6832

Email & Skype: info@chipsmall.com Web: www.chipsmall.com

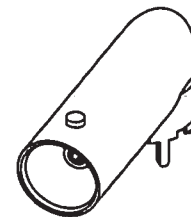
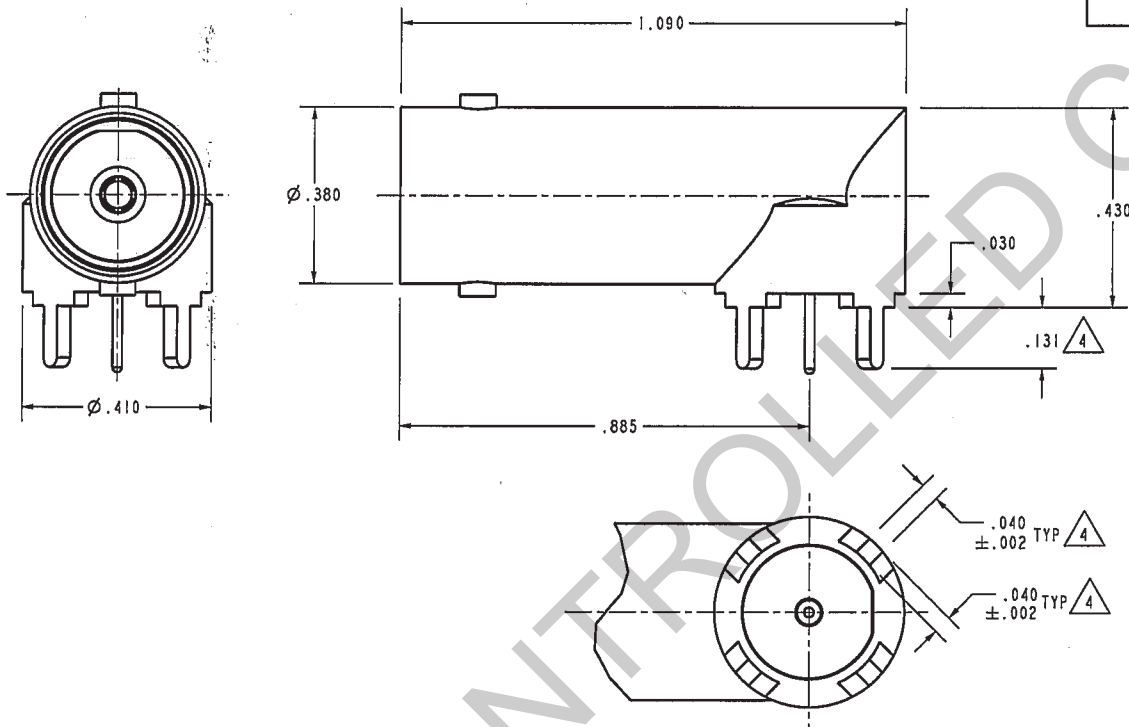
Address: A1208, Overseas Decoration Building, #122 Zhenhua RD., Futian, Shenzhen, China



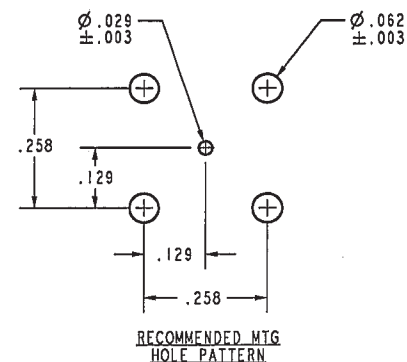
RED INDICATES ORIGINAL

DATA CONTAINED IN THIS DOCUMENT IS PROPRIETARY TO TROMPETER ELECTRONICS INC. AND SHALL NOT BE DISCLOSED, COPIED OR USED FOR PROCUREMENT OR MANUFACTURE WITHOUT EXPRESS WRITTEN PERMISSION

REVISIONS				1-0518	SH 1
REV	ECO NO.	DESCRIPTION	DWN	APPROVED	DATE
A	10700	Ø.410 WAS Ø.414; .040 WAS .050 & .047; .258 WAS .260; Ø.129 WAS Ø.130; Ø.029 WAS Ø.046; Ø.062 WAS Ø.083	AAH	<i>Em; (9/8)</i>	<i>1/22/94</i>



SCALE 2.000



- $\triangle 4$ DIMENSIONS INDICATED ARE BEFORE TINNING OF BODY LEGS WITH .0015 MAX THK, SN63 PER QQ-S-571 OR EQUIV TO WITHIN .060 OF SHOULDER
- 3. FINISH: TFS-1A (NICKEL)
- 2. 75Ω CIRCUIT BOARD MOUNTED RIGHT ANGLE BNC RECEPTACLE
- 1. ALL DIM ARE IN INCHES

QTY	DESCRIPTION		PART NUMBER		ITEM
TOL UNLESS SPECIFIED					
.XX	$\pm .005$		 <small>© cinch connectivity solutions brand</small>		UCBJR220
.XXX	$\pm .005$				
.XXX	$\pm .005$		DRAWING NO.		REV
ANGLE	$\pm .005$		14949		A
DWN	AAH	4-20-94	MATERIAL	DATE 4-15-94	SHEET 1 OF 2
CHK	<i>Buy</i>	<i>4-22-94</i>	-----	1-0518	
ENGR	<i>RJ</i>	<i>4-22-94</i>			
NEXT ASSY	APPR	<i>(Signature)</i>	SCALE 4/1		