



Chipsmall Limited consists of a professional team with an average of over 10 year of expertise in the distribution of electronic components. Based in Hongkong, we have already established firm and mutual-benefit business relationships with customers from,Europe,America and south Asia,supplying obsolete and hard-to-find components to meet their specific needs.

With the principle of “Quality Parts,Customers Priority,Honest Operation,and Considerate Service”,our business mainly focus on the distribution of electronic components. Line cards we deal with include Microchip,ALPS,ROHM,Xilinx,Pulse,ON,Everlight and Freescale. Main products comprise IC,Modules,Potentiometer,IC Socket,Relay,Connector.Our parts cover such applications as commercial,industrial, and automotives areas.

We are looking forward to setting up business relationship with you and hope to provide you with the best service and solution. Let us make a better world for our industry!



Contact us

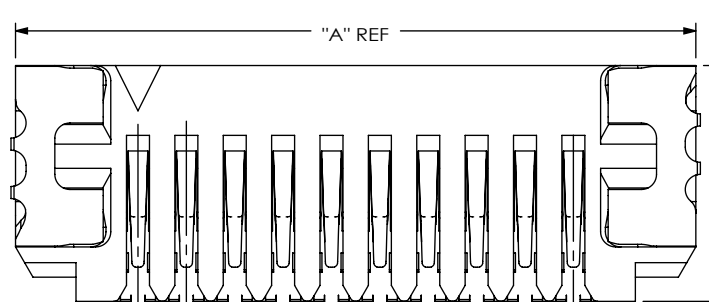
Tel: +86-755-8981 8866 Fax: +86-755-8427 6832

Email & Skype: info@chipsmall.com Web: www.chipsmall.com

Address: A1208, Overseas Decoration Building, #122 Zhenhua RD., Futian, Shenzhen, China



DO NOT SCALE FROM THIS PRINT



DESIGNED & DIMENSIONED IN MILLIMETERS [INCHES]

UCC8-XXX-X-X-X-A

No OF POSITIONS
-010, *-014,
*-020, *-028
(TOTAL)

LEAD STYLE
-1: -1.05 HEIGHT

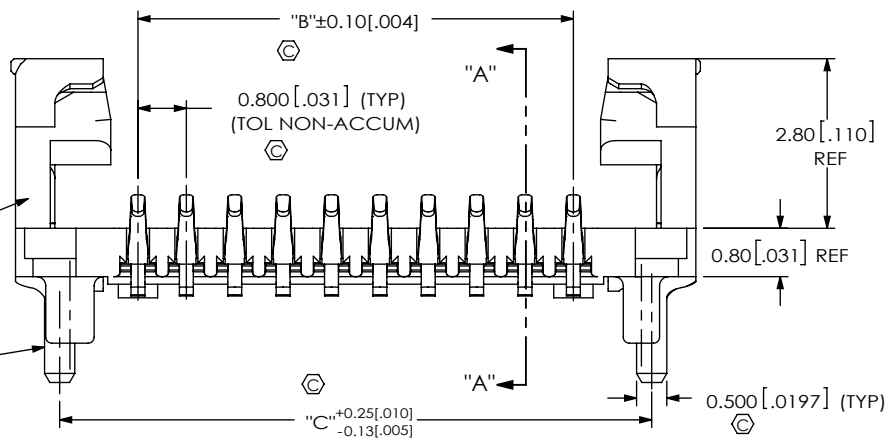
ALIGNMENT PIN
-A: ALIGNMENT PIN

WELD TAB
-1: THRU HOLE
**2: SURFACE MOUNT
(** = SEE NOTE 6)

PLATING SPECIFICATION
-H: 30µ" GOLD IN CONTACT AREA, GOLD FLASH ON TAIL (USE C-389-X.XX-H)

ROW SPECIFICATION
-S: SINGLE ROW

PIN 01
0.800[.031] (TYP)
(TOL NON-ACCUM)



UCC8-010-01-A

WT-90-01-1-X

(* = NOT TOOLED)

MULTIPLE PATENTS PENDING

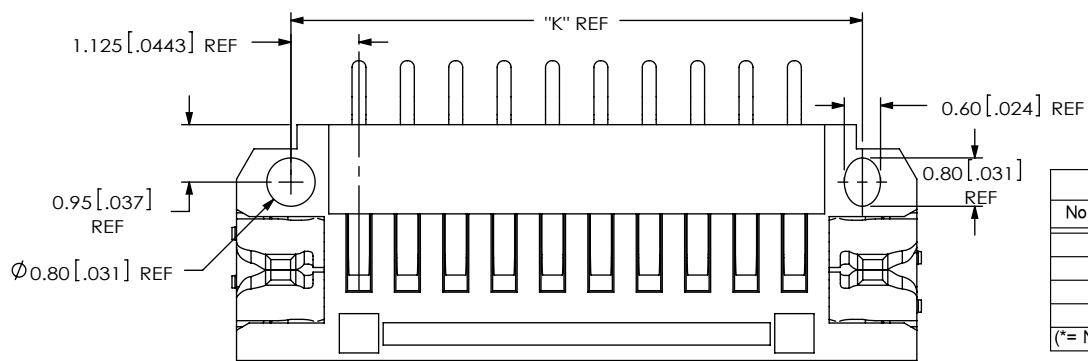
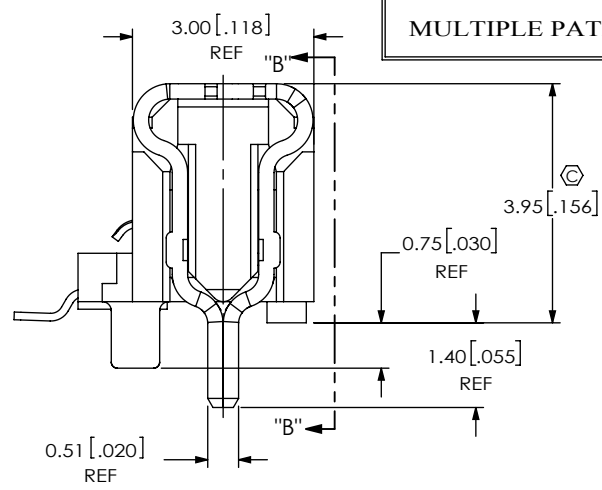


TABLE 1

No OF POS	"A"	"B"	"C"	"K"	"L"
-010	11.25 [0.443]	7.20 [0.283]	10.00 [0.394]	9.45 [0.372]	11.25 [0.443]
*-014	14.45 [0.569]	10.40 [0.409]	13.20 [0.520]	12.65 [0.498]	14.45 [0.569]
*-020	22.00 [0.866]	17.95 [0.707]	20.75 [0.817]	20.20 [0.795]	22.00 [0.866]
*-028	28.40 [1.118]	24.35 [0.959]	27.15 [1.069]	26.60 [1.047]	28.40 [1.118]

(* = NOT TOOLED)

THIS IS THE SECOND GENERATION DESIGN OF THE UCC8 (RUGGEDIZED). SEE DRAWING No ASP-180863-01 FOR THE ORIGINAL DESIGN (ONLY AVAILABLE TO EXISTING CUSTOMERS)

FIG 1
UCC8-010-1-X-S-1-A SHOWN (PPP NOT SHOWN FOR CLARITY)

- NOTES:
- ⊕ REPRESENTS A CRITICAL DIMENSION.
 - MINIMUM PUSHOUT FORCE: 1.6N[0.36 LB].
 - TAPE & REEL IS STANDARD PACKAGING.
 - FOR QUANTITIES UP TO 49 PIECES, NO LEADER, TRAILER, OR EIA-481 REEL WILL BE SUPPLIED.
 - FOR QUANTITIES 50-124, NO LEADER OR TRAILER WILL BE SUPPLIED.
 - MEASURE AT BEND TANGENCY.
 - AVAILABLE FOR EXISTING CUSTOMERS ONLY.

UNLESS OTHERWISE SPECIFIED, DIMENSIONS ARE IN MILLIMETERS. TOLERANCES ARE:
DECIMALS ANGLES
X.X: ±0.3 [0.1]
X.XX: ±0.13 [0.05]
X.XXX: ±0.051 [0.020]

PROPRIETARY NOTE
THIS DOCUMENT CONTAINS CONFIDENTIAL AND PROPRIETARY INFORMATION AND ALL DESIGN, MANUFACTURING, REPRODUCTION, USE, PATENT RIGHTS AND SALES RIGHTS ARE EXPRESSLY RESERVED BY SAMTEC, INC. THIS DOCUMENT SHALL NOT BE DISCLOSED, IN WHOLE OR PART, TO ANY UNAUTHORIZED PERSON OR ENTITY NOR REPRODUCED, TRANSFERRED OR INCORPORATED IN ANY OTHER PROJECT IN ANY MANNER WITHOUT THE EXPRESS WRITTEN CONSENT OF SAMTEC, INC.

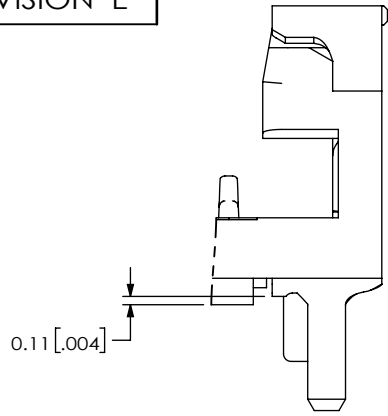
520 PARK EAST BLVD. NEW ALBANY, IN 47150
PHONE: 812-944-6733 FAX: 812-948-5047
e-Mail info@SAMTEC.com code 55322

MATERIAL: DO NOT SCALE DRAWING SHEET SCALE: 8:1
INSULATOR: LCP, COLOR: BLACK
CONTACT: BeCu
WELD TAB: COPPER ALLOY

DESCRIPTION:
0.8MM UCC8 SOCKET ASSEMBLY
DWG. NO.

UCC8-XXX-X-X-X-X-A
BY: R MUSSER 12/16/2013 SHEET 1 OF 5

REVISION E



SECTION "B"-"B"
SCALE 10 : 1

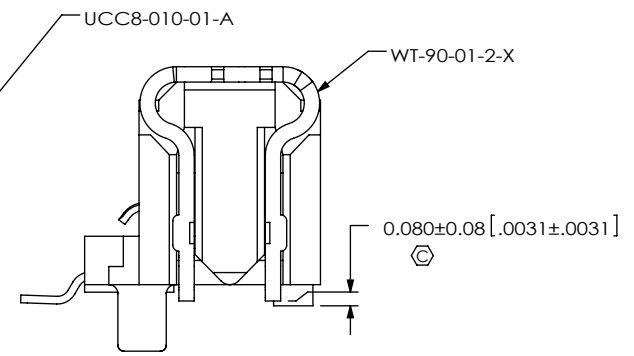
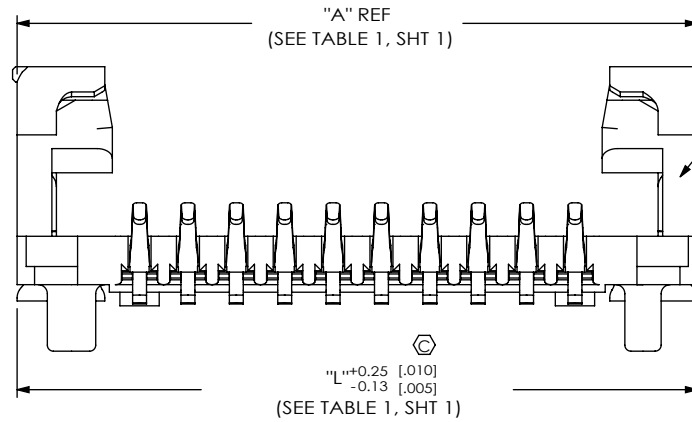
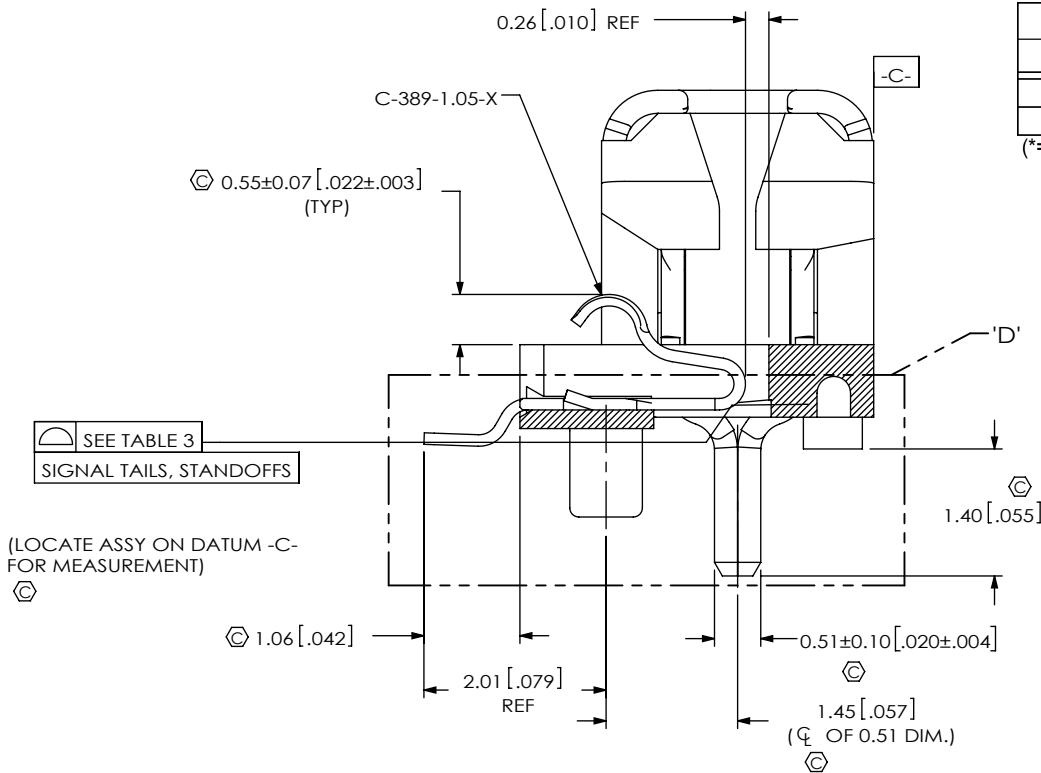


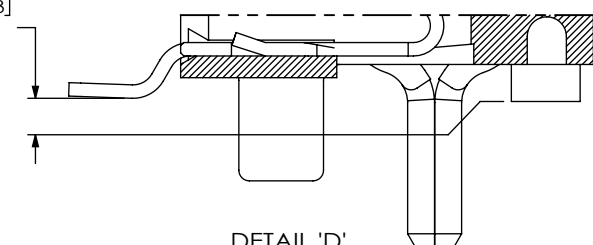
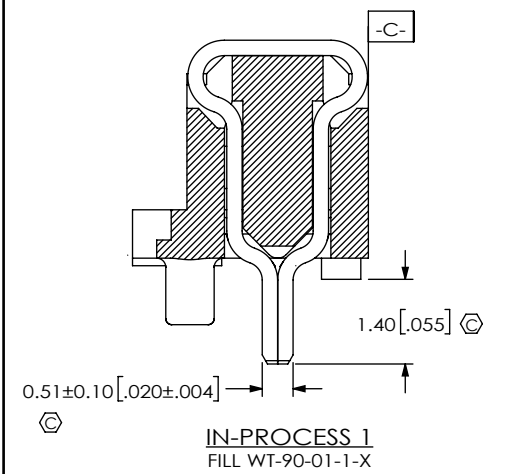
FIG 2
UCC8-010-1-X-S-2-A SHOWN
(DIFFERENT AS SHOWN, OTHERWISE SAME AS FIG 1)
(PPP NOT SHOWN FOR CLARITY)
(SEE NOTE 6)



SECTION "A"-"A"
SCALE 12 : 1

TABLE 3	
No OF POS	COPLANARITY
-010, *-014	0.10 [0.004]
*-020, *-028	0.13 [0.005]

(* = NOT TOOLED)



DETAIL "D"
SCALE 14 : 1

SEE TABLE 3
SIGNAL TAILS, STANDOFFS

(LOCATE ASSY ON DATUM -C-
FOR MEASUREMENT)

PROPRIETARY NOTE
THIS DOCUMENT CONTAINS CONFIDENTIAL AND PROPRIETARY INFORMATION AND ALL DESIGN, MANUFACTURING, REPRODUCTION, USE, PATENT RIGHTS AND SALES RIGHTS ARE EXPRESSLY RESERVED BY SAMTEC, INC. THIS DOCUMENT SHALL NOT BE DISCLOSED, IN WHOLE OR PART, TO ANY UNAUTHORIZED PERSON OR ENTITY NOR REPRODUCED, TRANSFERRED OR INCORPORATED IN ANY OTHER PROJECT IN ANY MANNER WITHOUT THE EXPRESS WRITTEN CONSENT OF SAMTEC, INC.

DO NOT SCALE DRAWING
SHEET SCALE: 8:1

samtec

520 PARK EAST BLVD, NEW ALBANY, IN 47150
PHONE: 812-944-6733 FAX: 812-948-5047
e-Mail info@SAMTEC.com code 55322

DESCRIPTION:
0.8MM UCC8 SOCKET ASSEMBLY

DWG. NO.
UCC8-XXX-X-X-X-X-A

BY: R MUSSER 12/16/2013 SHEET 2 OF 5

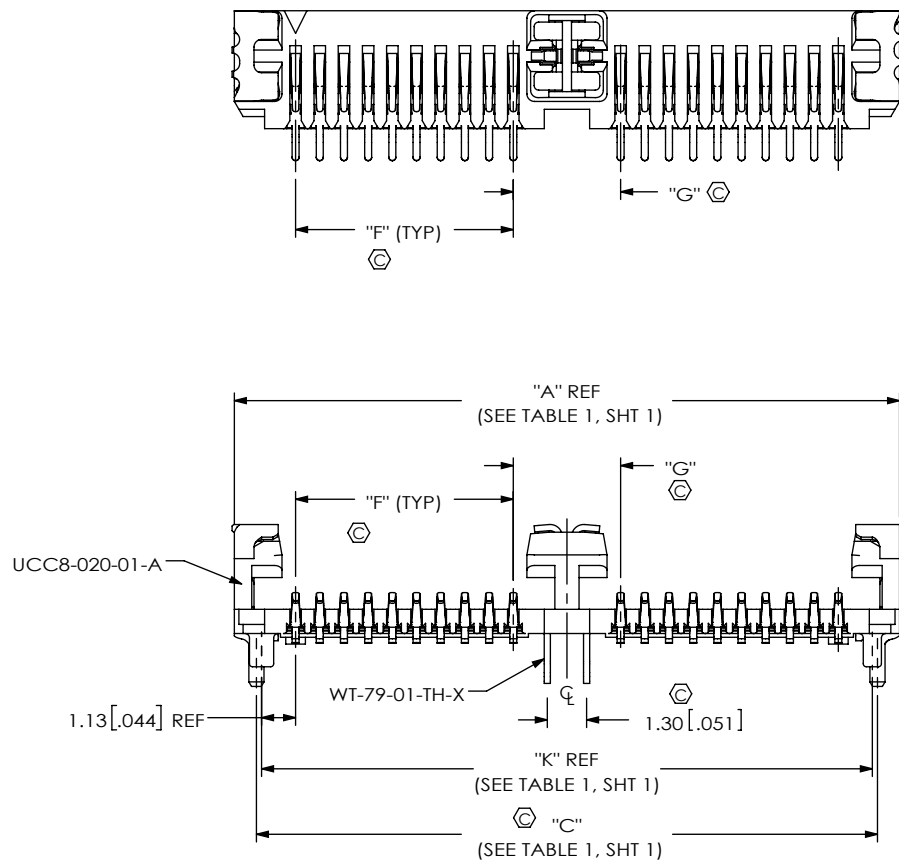


FIG 4
 UCC8-020-1-X-S-1-A SHOWN
 (DIFFERENT AS SHOWN, OTHERWISE SAME AS FIG 1)
 (PPP NOT SHOWN FOR CLARITY)
 (NOT TOOLED)

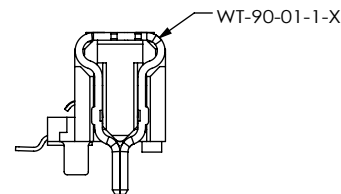


TABLE 4

No OF POS	"F"	"G"
*-020	7.20 [0.283]	3.55 [0.140]
*-028	10.20 [0.402]	3.35 [0.132]

(* = NOT TOOLED)

* PROPRIETARY NOTE *

THIS DOCUMENT CONTAINS CONFIDENTIAL AND PROPRIETARY INFORMATION AND ALL DESIGN, MANUFACTURING, REPRODUCTION, USE, PATENT RIGHTS AND SALES RIGHTS ARE EXPRESSLY RESERVED BY SAMTEC, INC. THIS DOCUMENT SHALL NOT BE DISCLOSED, IN WHOLE OR PART, TO ANY UNAUTHORIZED PERSON OR ENTITY NOR REPRODUCED, TRANSFERRED OR INCORPORATED IN ANY OTHER PROJECT IN ANY MANNER WITHOUT THE EXPRESS WRITTEN CONSENT OF SAMTEC, INC.

DO NOT SCALE DRAWING

SHEET SCALE: 8:1

samtec

520 PARK EAST BLVD, NEW ALBANY, IN 47150
 PHONE: 812-944-6733 FAX: 812-948-5047
 e-Mail info@SAMTEC.com code 55322

DESCRIPTION:
 0.8MM UCC8 SOCKET ASSEMBLY

DWG. NO.
 UCC8-XXX-X-X-X-A

BY: R MUSSER 12/16/2013 SHEET 3 OF 5

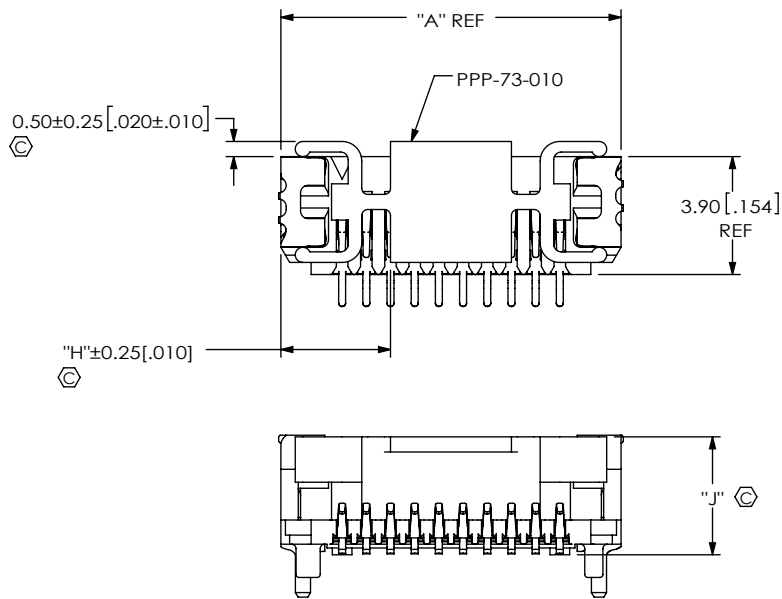


FIG 5
 PICK AND PLACE PAD
 UCC8-010-1-X-S-1-A SHOWN
 (DIFFERENT AS SHOWN, OTHERWISE SAME AS FIG 1;
 USE PPP-73-XXX FOR BOTH -1 & -2 WELD TAB LEAD
 STYLES)

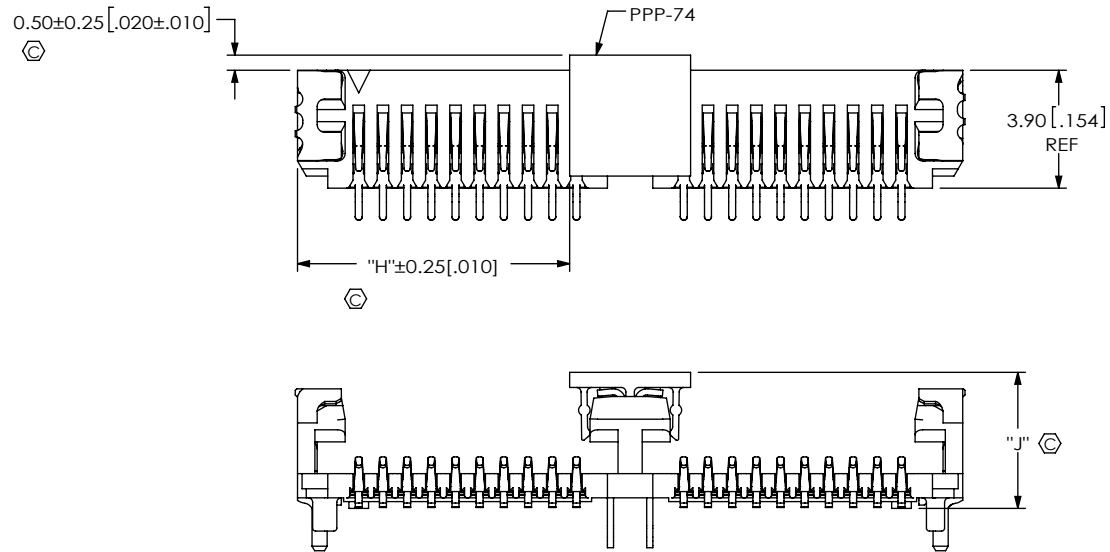


FIG 6
 PICK AND PLACE PAD
 UCC8-020-1-X-S-1-A SHOWN
 (DIFFERENT AS SHOWN, OTHERWISE SAME AS FIG 1)
 (NOT TOOLED)

	"H"	"J"
No OF POS	LEAD STYLE -1	LEAD STYLE -1
-010	3.63 [0.143]	3.90 [0.154]
*-014	5.13 [0.202]	
*-020	9.00 [0.354]	4.45 [0.175]
*-028	12.00 [0.472]	

(* = NOT TOOLED)

PROPRIETARY NOTE
 THIS DOCUMENT CONTAINS CONFIDENTIAL AND PROPRIETARY INFORMATION AND ALL DESIGN, MANUFACTURING, REPRODUCTION, USE, PATENT RIGHTS AND SALES RIGHTS ARE EXPRESSLY RESERVED BY SAMTEC, INC. THIS DOCUMENT SHALL NOT BE DISCLOSED, IN WHOLE OR PART, TO ANY UNAUTHORIZED PERSON OR ENTITY NOR REPRODUCED, TRANSFERRED OR INCORPORATED IN ANY OTHER PROJECT IN ANY MANNER WITHOUT THE EXPRESS WRITTEN CONSENT OF SAMTEC, INC.

DO NOT SCALE DRAWING

SHEET SCALE: 8:1

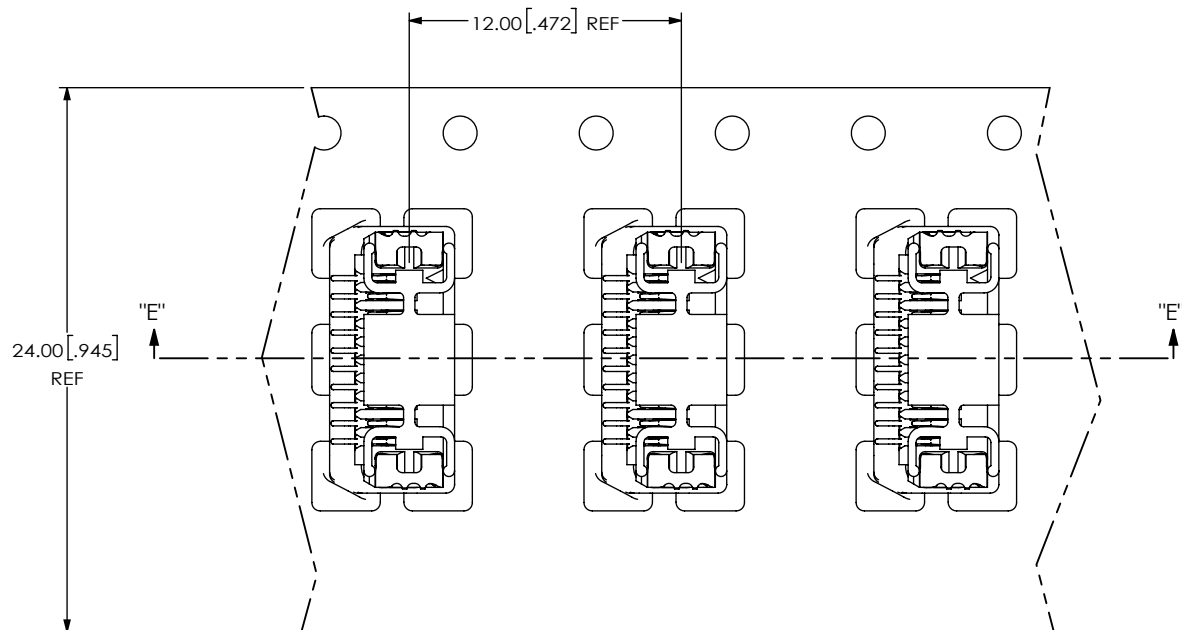


520 PARK EAST BLVD, NEW ALBANY, IN 47150
 PHONE: 812-944-6733 FAX: 812-948-5047
 e-Mail info@SAMTEC.com code 55322

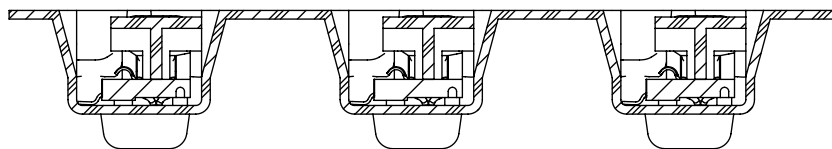
DESCRIPTION:
 0.8MM UCC8 SOCKET ASSEMBLY

DWG. NO.
 UCC8-XXX-X-X-X-X-A

BY: R MUSSER 12/16/2013 SHEET 4 OF 5



USER DIRECTION OF UN-REELING →
POCKET NOT DETAILED



SECTION "E"- "E"
SCALE 3 : 1

PACKAGING VIEW

<p>DO NOT SCALE DRAWING</p> <p>SHEET SCALE: 8:1</p>	<p>PROPRIETARY NOTE</p> <p>THIS DOCUMENT CONTAINS CONFIDENTIAL AND PROPRIETARY INFORMATION AND ALL DESIGN, MANUFACTURING, REPRODUCTION, USE, PATENT RIGHTS AND SALES RIGHTS ARE EXPRESSLY RESERVED BY SAMTEC, INC. THIS DOCUMENT SHALL NOT BE DISCLOSED, IN WHOLE OR PART, TO ANY UNAUTHORIZED PERSON OR ENTITY NOR REPRODUCED, TRANSFERRED OR INCORPORATED IN ANY OTHER PROJECT IN ANY MANNER WITHOUT THE EXPRESS WRITTEN CONSENT OF SAMTEC, INC.</p>		 <p>520 PARK EAST BLVD, NEW ALBANY, IN 47150 PHONE: 812-944-6733 FAX: 812-948-5047 e-Mail info@SAMTEC.com code 55322</p>
	<p>DESCRIPTION: 0.8MM UCC8 SOCKET ASSEMBLY</p>		
	<p>DWG. NO. UCC8-XXX-X-X-X-X-A</p>		
<p>BY: R MUSSER 12/16/2013</p>		<p>SHEET 5 OF 5</p>	