



Chipsmall Limited consists of a professional team with an average of over 10 year of expertise in the distribution of electronic components. Based in Hongkong, we have already established firm and mutual-benefit business relationships with customers from,Europe,America and south Asia,supplying obsolete and hard-to-find components to meet their specific needs.

With the principle of “Quality Parts,Customers Priority,Honest Operation,and Considerate Service”,our business mainly focus on the distribution of electronic components. Line cards we deal with include Microchip,ALPS,ROHM,Xilinx,Pulse,ON,Everlight and Freescale. Main products comprise IC,Modules,Potentiometer,IC Socket,Relay,Connector.Our parts cover such applications as commercial,industrial, and automotives areas.

We are looking forward to setting up business relationship with you and hope to provide you with the best service and solution. Let us make a better world for our industry!



Contact us

Tel: +86-755-8981 8866 Fax: +86-755-8427 6832

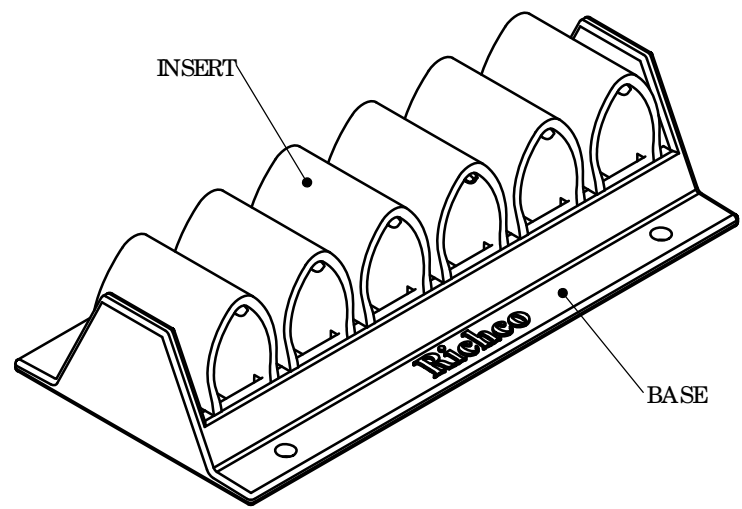
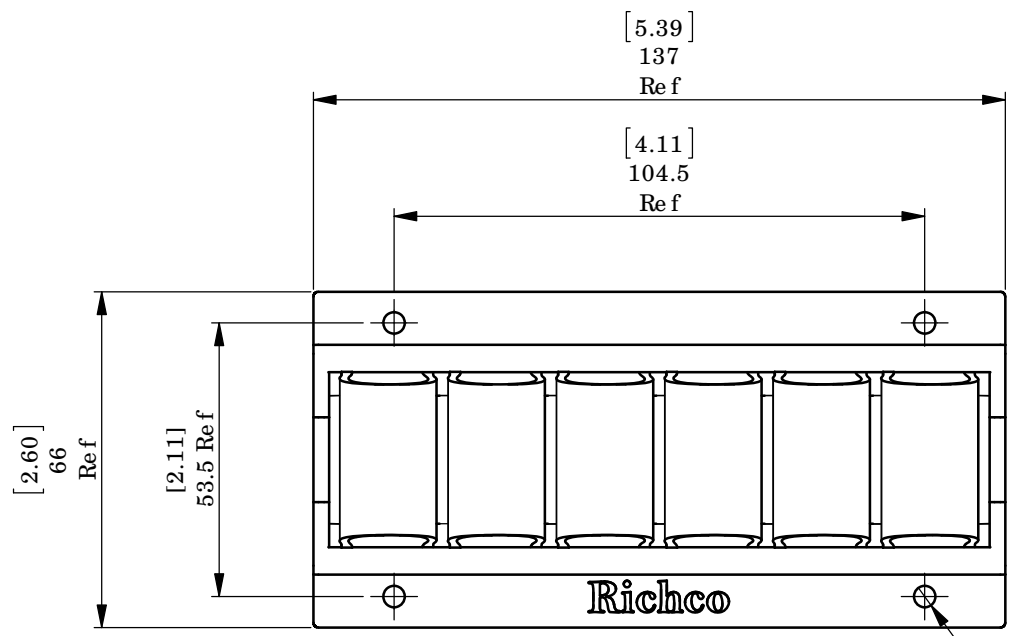
Email & Skype: info@chipsmall.com Web: www.chipsmall.com

Address: A1208, Overseas Decoration Building, #122 Zhenhua RD., Futian, Shenzhen, China

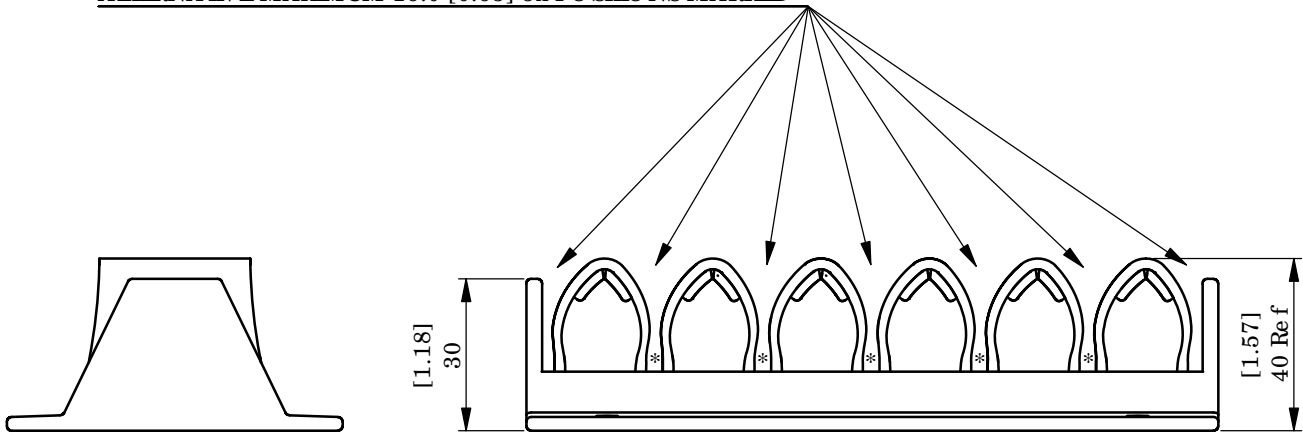


A B C D E F

REV.	MODIFICATION.	DATE	DRN
01	Catalogue Release	19/10/11	TC
02	CO2011225	05/01/12	SF
03	CO2011246	15/02/12	SF



TO GRIP BUNDLE DIAMETERS:
 MINIMUM 2.0 [0.08] 7x POSITIONS ARROWED
 MAXIMUM 12.0 [0.47] 7x POSITIONS ARROWED
 ALTERNATIVE MAXIMUM 16.0 [0.63] 5x POSITIONS MARKED *



NOTE:
 SUPPLIED ASSEMBLED WITH SIX REMOVABLE INSERTS

INFORMATION CONTAINED IN THIS DOCUMENT IS CONFIDENTIAL TO RICHCO INTERNATIONAL Co. Ltd. AND MAY NOT BE DISCLOSED OR REPRODUCED IN WHOLE OR PART WITHOUT THEIR WRITTEN CONSENT.					
RICHCO, INC. WWW.RICHCO-INC.COM			ALL DIMENSIONS IN mm GENERAL TOLERANCES ±0.25 UNLESS OTHERWISE STATED 1 DECIMAL PLACE ±0.25 2 DECIMAL PLACES ±0.10 ANGULAR ±1°		THIRD ANGLE
MATERIAL: BASE: HDPE (RMS-432) INSERT: TPE (RMS-433)			COLOUR: BLACK		
DESCRIPTION: CABLE GRIP			PART No: UCG-6BK		
DRG No: 011-101		PROJECT NUMBER: EU11-0010		Mass:(g) 70	SHEET SIZE A4
DRN SF	DATE 19/09/11	CHKD TC	DATE 19/10/11	SCALE NTS	SHEET No. 1 OF 1

A B C D E F