



Chipsmall Limited consists of a professional team with an average of over 10 year of expertise in the distribution of electronic components. Based in Hongkong, we have already established firm and mutual-benefit business relationships with customers from,Europe,America and south Asia,supplying obsolete and hard-to-find components to meet their specific needs.

With the principle of “Quality Parts,Customers Priority,Honest Operation,and Considerate Service”,our business mainly focus on the distribution of electronic components. Line cards we deal with include Microchip,ALPS,ROHM,Xilinx,Pulse,ON,Everlight and Freescale. Main products comprise IC,Modules,Potentiometer,IC Socket,Relay,Connector.Our parts cover such applications as commercial,industrial, and automotives areas.

We are looking forward to setting up business relationship with you and hope to provide you with the best service and solution. Let us make a better world for our industry!



## Contact us

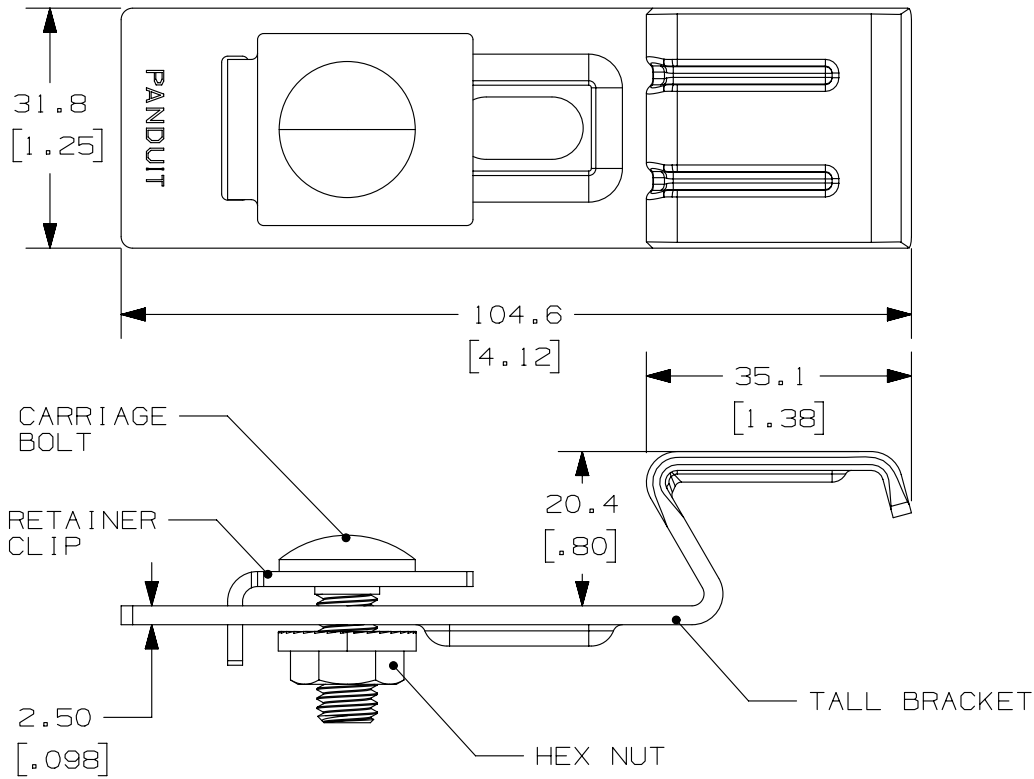
Tel: +86-755-8981 8866 Fax: +86-755-8427 6832

Email & Skype: info@chipsmall.com Web: www.chipsmall.com

Address: A1208, Overseas Decoration Building, #122 Zhenhua RD., Futian, Shenzhen, China



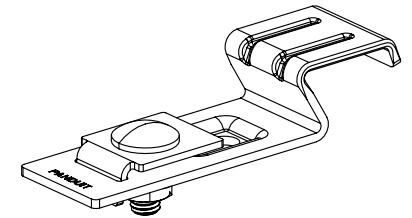
THIS COPY IS PROVIDED ON A RESTRICTED BASIS AND IS NOT TO BE USED IN ANY WAY DETRIMENTAL TO THE INTERESTS OF PANDUIT CORP.



PANDUIT P/N	MATERIAL	WEIGHT / PC
UCIB1-V316	316 STAINLESS STEEL	103.5 g [.228 lbs]
UCIB1-VC	COMMERCIAL STEEL / GALVANIZED	107.8 g [.238 lbs]

NOTES:

1. PRIMARY DIMENSIONS IN METRIC (mm). DIMENSIONS IN [ ] ARE ENGLISH (in).
2. THIS PRODUCT INTENDED FOR USE WITH I-BEAM STYLE LADDER RUNG IN GALVANIZED STEEL, STAINLESS STEEL, OR ALUMINUM CONSTRUCTIONS.
3. EACH ASSEMBLY INCLUDES:  
 (1) TALL BRACKET PIECE  
 (1) RETAINER CLIP  
 (1) M8 X 1.25 X 20mm CARRIAGE BOLT  
 (1) SERRATED-FLANGE HEX NUT



REV	DATE	BY	CHK	APR	DESCRIPTION	ECN
-	-----	----	----	----	RELEASED TO PRODUCTION	-----
1	06-12-14	RMHI	RMHI	RGRO	B. UPDATED WEIGHTS IN TABLE A. REVISED TITLE	12L025AW-DC
R	04-30-14	JBN	RMHI		DRAWING RELEASED	

TITLE		DRAWING NUMBER	
UNICLIP I-BEAM BRACKET UCIB1		12L025AW-DC	
CUSTOMER DRAWING			
ITEM REVISION NAME		12L025AW/04	
DATASET FILE NAME		12L025AW_DC/04B	
UNLESS OTHERWISE SPECIFIED, DIMENSIONAL TOLERANCES ARE: mm [IN]		MATERIAL:	
.x ± .3 [.01] .xxx ± .127 [.005]		SEE CHART	
.xx ± .25 [.010] ANGLES ± 5°		DRAWING NUMBER:	
THIRD ANGLE PROJECTION		12L025AW-DC	
DRAWN BY	DATE	CHK	SCALE
JBN	04-30-14	RMHI	N.T.S.
SHT 1 OF 1			SIZE
			A