



Chipsmall Limited consists of a professional team with an average of over 10 year of expertise in the distribution of electronic components. Based in Hongkong, we have already established firm and mutual-benefit business relationships with customers from,Europe,America and south Asia,supplying obsolete and hard-to-find components to meet their specific needs.

With the principle of “Quality Parts,Customers Priority,Honest Operation,and Considerate Service”,our business mainly focus on the distribution of electronic components. Line cards we deal with include Microchip,ALPS,ROHM,Xilinx,Pulse,ON,Everlight and Freescale. Main products comprise IC,Modules,Potentiometer,IC Socket,Relay,Connector.Our parts cover such applications as commercial,industrial, and automotives areas.

We are looking forward to setting up business relationship with you and hope to provide you with the best service and solution. Let us make a better world for our industry!



Contact us

Tel: +86-755-8981 8866 Fax: +86-755-8427 6832

Email & Skype: info@chipsmall.com Web: www.chipsmall.com

Address: A1208, Overseas Decoration Building, #122 Zhenhua RD., Futian, Shenzhen, China



μCom-10Gb +

Harsh Environment 10Gb
Ethernet Micro Connectors



μCom-Series is a new range of connectors designed to address the latest trends of the industry : **miniaturization** and **high speed**, with the highest resistance for use in the **harshesht environments**.

μCom-10Gb + is the first product of this new range.

MAIN FEATURES

- 10Gb+ exceeds 10Gb/s Ethernet following IEEE 802.3an-2006 : **10GBase-T**
- Cat.6A connector according to TIA568C.2 and ISO/IEC11801 standard
- Environmental testing based on **MIL-DTL-38999 series III** military specifications
- Miniature : **15 mm(.59") max** external diameter

FEATURES AND BENEFITS

- 4 pairs totally insulated throughout the connector
➔ minimum cross-talk between the four pairs
- Patent pending special interfacial shapes
➔ minimum perturbation at the interface of each pair
- Thread coupling mechanism
➔ 2000 mating cycles & high vibration resistance
- Machined Brass shells and RoHS compliant plating
➔ shell to shell continuity and 500h salt Spray resistance
- Machined & gold plated Solder and Crimp contacts
➔ design & performance according to the innercontact of M39029/77-429#16 M39029/76-425#16 38999 contact
- Solder contact : max AWG24
- Crimp contact : AWG 24 to 26
- IP68 sealing mated and unmated for receptacles
- 1500 Vrms Dielectric Withstanding voltage
- Temperature range : - 55°C / + 125°C

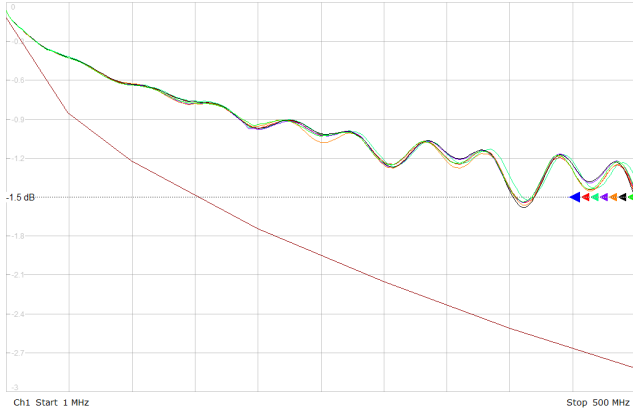
MARKETS & APPLICATIONS

- **DEFENSE** : C4ISR, Battlefield Communications, Shipboard, Ground Vehicles Vetronics.
- **AERONAUTICAL** : In Flight Entertainment, Avionics, Communication Systems.
- **RAIL MASS TRANSIT** : Passenger Information Systems, Communication Systems.

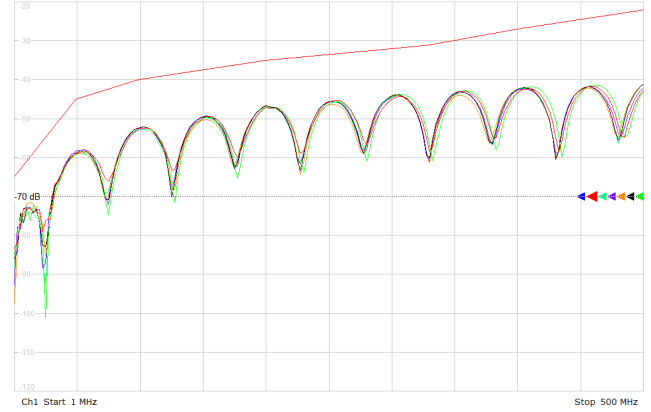


TRANSMISSION DATA

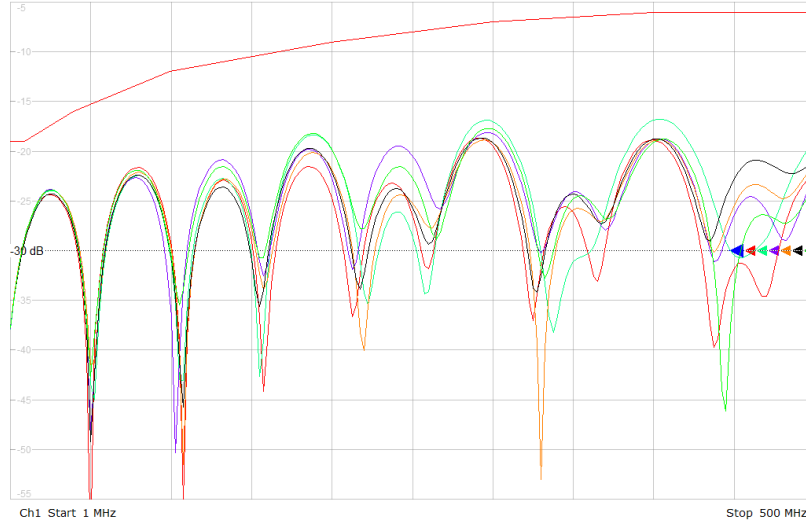
Insertion Loss



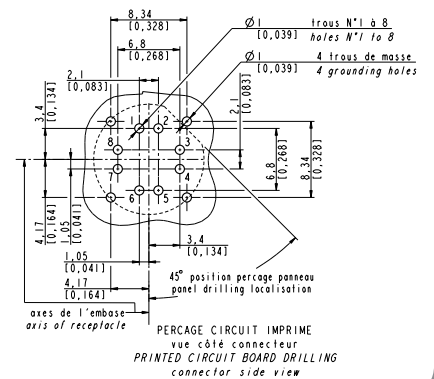
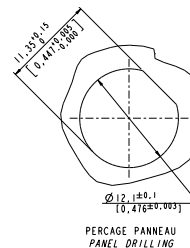
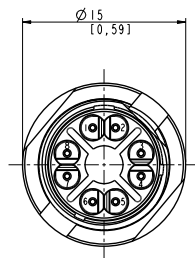
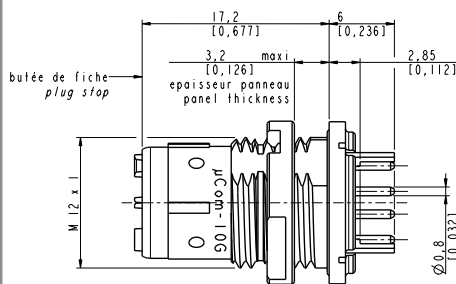
Next 1-2



Return Loss

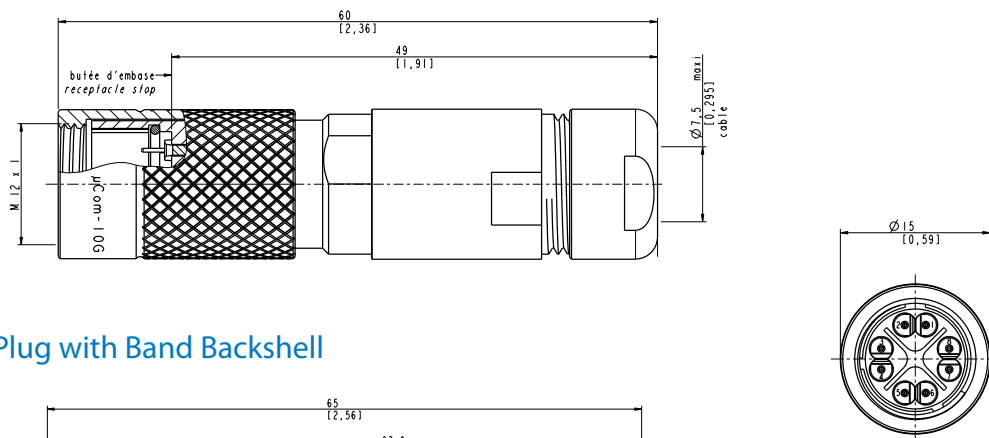


RECEPTACLE

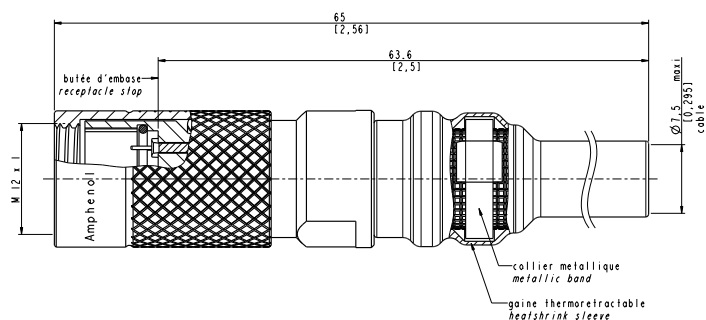


PLUGS & CORDSETS

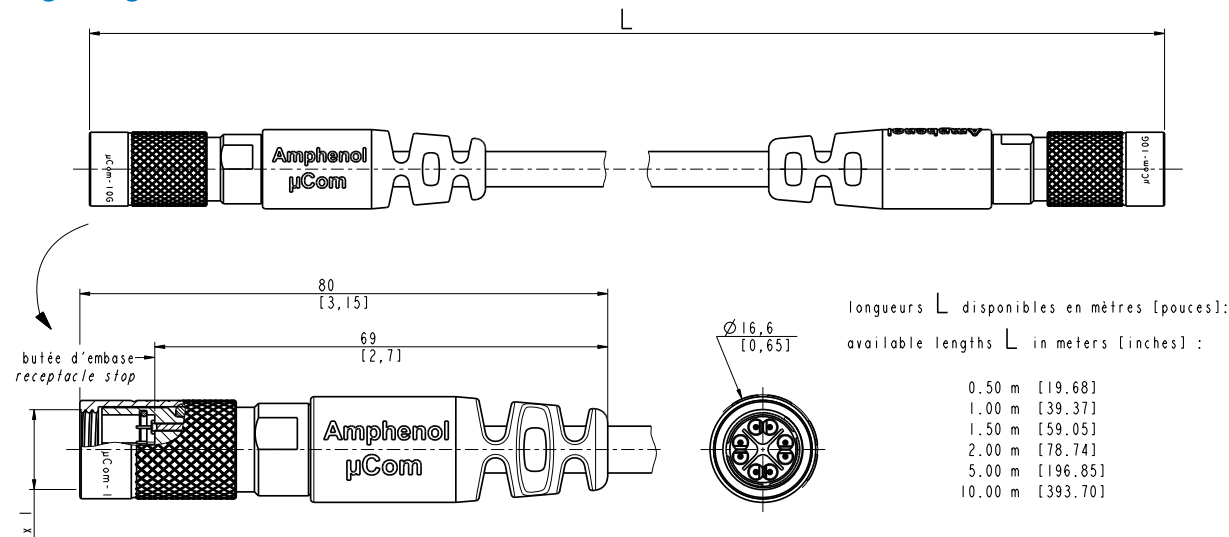
Plug with Gland Backshell



Plug with Band Backshell



Plug - Plug Cordsets



Type of Cable used : CAT 7 HFFR
According to EN 50288-4-2



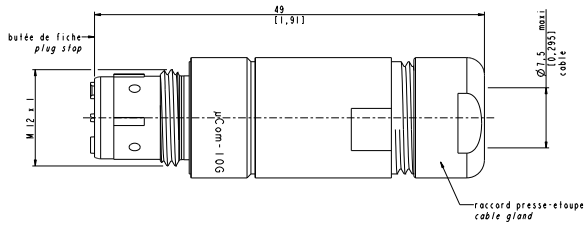
- Stranded bare copper wire (26 AWG)
- 4 Screened twisted pairs: 2 wires twisted to a pair, Alulaminat foil overlapped
- Shield braiding of tinned copper wires, about 80% coverage
- Strain member of Kevlar

- Jacket in black Polyurethane (PUR), glossy finish, acc to DIN VDE 0282
- External diameter 7.0 +/-0.3 mm
- UV & Hydrolysis resistant, Halogen free, RoHS compliant
- Max Pull force: 800 N, Weight : about 54 kg/km
- Temperature : - 40°C / + 85°C

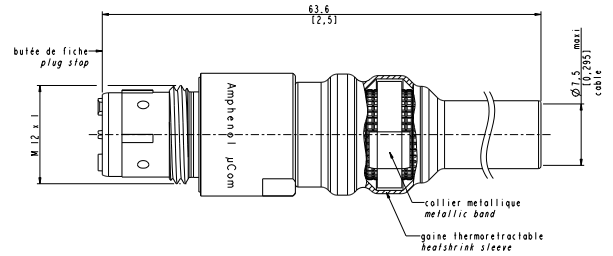
For full dimensions, please ask for Customer Drawing

IN LINE RECEPTACLES

In line receptacle with Gland Backshell



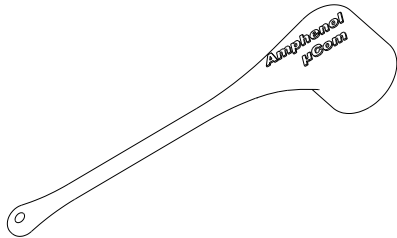
In line receptacle with Band Backshell



TOOLS AND ACCESSORIES

Receptacle Caps

Neoprene Version P/N : 31091



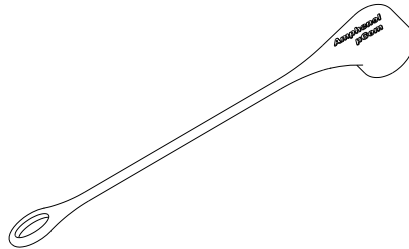
Nota : plan a type M3 hole on the panel

Metal Version P/N : 31057

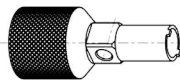


Plug Caps

Neoprene Version P/N : 31092



Receptacle Nut Clamping tool
P/N : 31055



Crimp Contact insertion tool

P/N : 31056



Contact positioner
For M22520/2-01 crimping tool
P/N : 31095



HOW TO ORDER

Receptacles

μCom - 10G + R P B

Shell
R Receptacle (push-pull or thread)
Contacts Termination
P PCB
S Solder
Shell Plating
B Black Nickel
G Olive drab Cadmium
U Unplated Brass

Plugs & In Line Receptacles

μCom - 10G + P T C B B A

Shell
L In Line Receptacle
P Plug
Mating (for plugs only)
T Thread
Contacts Termination
C Crimp
S Solder
Shell Plating
B Black Nickel
G Olive drab Cadmium
U Unplated Brass
Backshell Type
G Gland
B Band
Cable Diameter (For Gland Backshell Only)
A: for cable diam 7,5 mm
B: TBD

Plugs-Plugs Cordsets

with Cat7 HFFR Cable, Outdoor PUR jacket

μCom - 10G + C T C B 0 1 5

Shell
C Plug - Plug Cordset
F Plug Cordset-open
Mating (for plugs only)
T Thread
Contacts Termination
C Crimp
S Solder
Shell Plating
B Black Nickel
G Olive drab Cadmium
U Unplated Brass
Total Length
005 : 50 cm [19,68]
010 : 1,0 m [39,37]
015 : 1,5 m [59,05]
020 : 2,0 m [78,74]
050 : 5,0 m [196,85]
100 : 10,0 m [393,70]