



Chipsmall Limited consists of a professional team with an average of over 10 year of expertise in the distribution of electronic components. Based in Hongkong, we have already established firm and mutual-benefit business relationships with customers from,Europe,America and south Asia,supplying obsolete and hard-to-find components to meet their specific needs.

With the principle of “Quality Parts,Customers Priority,Honest Operation,and Considerate Service”,our business mainly focus on the distribution of electronic components. Line cards we deal with include Microchip,ALPS,ROHM,Xilinx,Pulse,ON,Everlight and Freescale. Main products comprise IC,Modules,Potentiometer,IC Socket,Relay,Connector.Our parts cover such applications as commercial,industrial, and automotives areas.

We are looking forward to setting up business relationship with you and hope to provide you with the best service and solution. Let us make a better world for our industry!



## Contact us

Tel: +86-755-8981 8866 Fax: +86-755-8427 6832

Email & Skype: info@chipsmall.com Web: www.chipsmall.com

Address: A1208, Overseas Decoration Building, #122 Zhenhua RD., Futian, Shenzhen, China





# USB Port Power Controller with Charger Emulation

## PRODUCT FEATURES

Datasheet

### General Description

The UCS1001 provides a USB port power switch for precise control of up to 2.5 amperes continuous current with over-current limit (OCL), dynamic thermal management, latch or auto-recovery (low test current) fault handling, selectable active low or high enable, under- and over-voltage lockout, back-drive protection, and back-voltage protection.

Split supply support for VS and VDD is an option for low power in system standby states. This gives battery operated applications, like notebook PCs, the ability to detect attachments from a sleep or off state. After the Attach Detection is flagged, the system can decide to wake up and/or provide charging.

In addition to power switching and current limiting modes, the UCS1001 will automatically charge a wide variety of portable devices, including USB-IF BC1.2, YD/T-1591 (2009), most Apple<sup>®</sup> and RIM<sup>®</sup>, and many others. Nine preloaded charger emulation profiles maximize compatibility coverage of peripheral devices.

The UCS1001 is available in a 20-pin QFN 4 mm x 4 mm package.

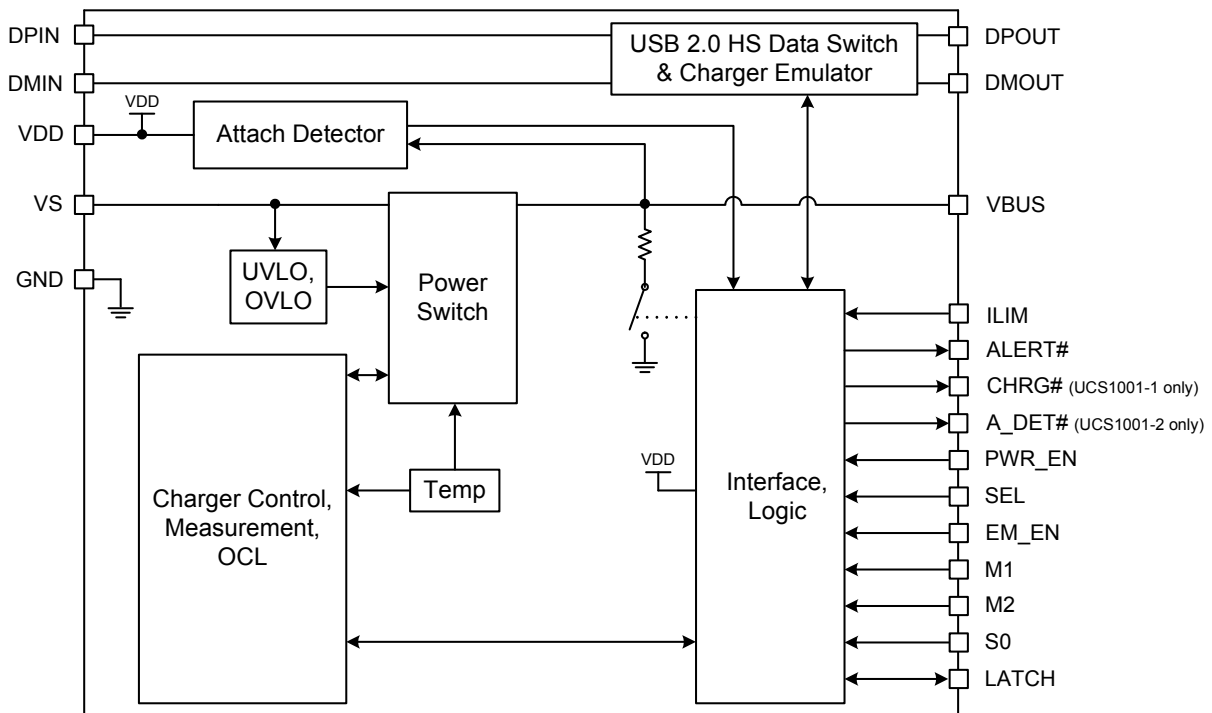
### Applications

- Notebook and Netbook Computers
- Tablets and E-book readers
- Desktops and Monitors
- Docking Stations and Printers
- AC-DC wall adapters

### Features

- Port power switch with two current limit behaviors
  - 2.9 V to 5.5 V source voltage range
  - Up to 2.5 A current with 55 mΩ On Resistance
  - Over-current trip or constant current limiting
  - Soft turn-on circuitry
  - Selectable current limit
  - Dynamic thermal management
  - Under- and over-voltage lockout
  - Back-drive, back-voltage protection
  - Latch or auto-recovery (low test current) fault handling
  - Selectable active high or low power switch enable
  - BC1.2 VBUS discharge port renegotiation function
- Selectable / automatic cycling of USB data line charger emulation profiles
  - USB-IF BC1.2 charging downstream port (CDP) & dedicated charging port (DCP) modes, YD/T-1591, and most Apple and RIM protocols standard
  - USB 2.0 compliant high-speed data switch (in Pass-through and CDP modes)
  - Nine preloaded charger emulation profiles for maximum compatibility coverage of peripheral devices
- Charging Active (UCS1001-1) or Attach Detection (UCS1001-2) open-drain output
- Fault Alert open-drain output
- Ultra low power Sleep state
- Optional split supply support for VBUS and VDD for low power in system standby states
- Wake on Attach USB (UCS1001-2)
- Wide operating temperature range: -40 °C to +85 °C
- IEC61000-4-2 8 / 15 kV ESD immunity
- UL recognized and EN/IEC 60950-1 (CB) certified

### Block Diagram





**ORDERING INFORMATION:**

ORDERING NUMBER	PACKAGE	FEATURES
UCS1001-1-BP-TR	20 pin QFN 4 mm x 4 mm (Lead Free RoHS compliant)	USB Port Power Controller with Charger Emulation and charging active output indicator
UCS1001-2-BP-TR	20 pin QFN 4 mm x 4 mm (Lead Free RoHS compliant)	USB Port Power Controller with Charger Emulation and portable device attachment detected output indicator

**REEL SIZE IS 4,000 PIECES**

**This product meets the halogen maximum concentration values per IEC61249-2-21**

**For RoHS compliance and environmental information, please visit [www.smSC.com/rohs](http://www.smSC.com/rohs)**

*Please contact your SMSC sales representative for additional documentation related to this product such as application notes, anomaly sheets, and design guidelines.*



Copyright © 2012 SMSC or its subsidiaries. All rights reserved.

Circuit diagrams and other information relating to SMSC products are included as a means of illustrating typical applications. Consequently, complete information sufficient for construction purposes is not necessarily given. Although the information has been checked and is believed to be accurate, no responsibility is assumed for inaccuracies. SMSC reserves the right to make changes to specifications and product descriptions at any time without notice. Contact your local SMSC sales office to obtain the latest specifications before placing your product order. The provision of this information does not convey to the purchaser of the described semiconductor devices any licenses under any patent rights or other intellectual property rights of SMSC or others. All sales are expressly conditional on your agreement to the terms and conditions of the most recently dated version of SMSC's standard Terms of Sale Agreement dated before the date of your order (the "Terms of Sale Agreement"). The product may contain design defects or errors known as anomalies which may cause the product's functions to deviate from published specifications. Anomaly sheets are available upon request. SMSC products are not designed, intended, authorized or warranted for use in any life support or other application where product failure could cause or contribute to personal injury or severe property damage. Any and all such uses without prior written approval of an Officer of SMSC and further testing and/or modification will be fully at the risk of the customer. Copies of this document or other SMSC literature, as well as the Terms of Sale Agreement, may be obtained by visiting SMSC's website at <http://www.smSC.com>. SMSC is a registered trademark of Standard Microsystems Corporation ("SMSC"). Product names and company names are the trademarks of their respective holders.

**SMSC DISCLAIMS AND EXCLUDES ANY AND ALL WARRANTIES, INCLUDING WITHOUT LIMITATION ANY AND ALL IMPLIED WARRANTIES OF MERCHANTABILITY, FITNESS FOR A PARTICULAR PURPOSE, TITLE, AND AGAINST INFRINGEMENT AND THE LIKE, AND ANY AND ALL WARRANTIES ARISING FROM ANY COURSE OF DEALING OR USAGE OF TRADE. IN NO EVENT SHALL SMSC BE LIABLE FOR ANY DIRECT, INCIDENTAL, INDIRECT, SPECIAL, PUNITIVE, OR CONSEQUENTIAL DAMAGES; OR FOR LOST DATA, PROFITS, SAVINGS OR REVENUES OF ANY KIND; REGARDLESS OF THE FORM OF ACTION, WHETHER BASED ON CONTRACT; TORT; NEGLIGENCE OF SMSC OR OTHERS; STRICT LIABILITY; BREACH OF WARRANTY; OR OTHERWISE; WHETHER OR NOT ANY REMEDY OF BUYER IS HELD TO HAVE FAILED OF ITS ESSENTIAL PURPOSE, AND WHETHER OR NOT SMSC HAS BEEN ADVISED OF THE POSSIBILITY OF SUCH DAMAGES.**

## Table of Contents

<b>Chapter 1 Terms and Abbreviations</b> .....	<b>8</b>
<b>Chapter 2 Pin Description</b> .....	<b>10</b>
<b>Chapter 3 Electrical Specifications</b> .....	<b>14</b>
3.1 ESD & Transient Performance .....	22
3.1.1 Human Body Model (HBM) Performance .....	22
3.1.2 Charged Device Model (CDM) Performance .....	22
3.1.3 IEC61000-4-2 Performance .....	22
<b>Chapter 4 General Description</b> .....	<b>23</b>
4.1 UCS1001 Power States .....	27
4.1.1 Off State Operation .....	29
4.1.2 Sleep State Operation .....	29
4.1.3 Detect State Operation .....	29
4.1.4 Active State Operation .....	30
4.1.5 Error State Operation .....	31
4.2 Supply Voltages .....	31
4.2.1 VDD Supply Voltage .....	31
4.2.2 VS Source Voltage .....	31
4.2.3 Back-voltage Detection .....	32
4.2.4 Back-drive Current Protection .....	32
4.2.5 Under-voltage Lockout on VS .....	32
4.2.6 Over-voltage Detection and Lockout on VS .....	32
4.3 Discrete Input Pins .....	32
4.3.1 ILIM Input .....	32
4.3.2 SEL Input .....	32
4.3.3 M1, M2, and EM_EN Inputs .....	33
4.3.4 PWR_EN Input .....	33
4.3.5 Latch Input .....	33
4.3.6 S0 Input .....	33
4.4 Discrete Output Pins .....	33
4.4.1 ALERT#, CHRG#, and A_DET# Output Pins .....	33
4.4.2 Interrupt Blanking .....	33
<b>Chapter 5 USB High-speed Data Switch</b> .....	<b>34</b>
5.1 USB High-speed Data Switch .....	34
5.1.1 USB-IF High-speed Compliance .....	34
<b>Chapter 6 USB Port Power Switch</b> .....	<b>35</b>
6.1 USB Port Power Switch .....	35
6.2 Current Limiting .....	35
6.2.1 Current Limit Setting .....	35
6.2.2 Short Circuit Output Current Limiting .....	35
6.2.3 Soft Start .....	36
6.2.4 Current Limiting Modes .....	36
6.3 Thermal Management and Voltage Protection .....	38
6.3.1 Thermal Management .....	38

6.4 VBUS Discharge . . . . .	40
6.5 Fault Handling Mechanism . . . . .	40
6.5.1 Auto-recovery Fault Handling . . . . .	40
6.5.2 Latched Fault Handling . . . . .	40
<hr/>	
<b>Chapter 7 Detect State . . . . .</b>	<b>41</b>
7.1 Device Attach / Removal Detection . . . . .	41
7.2 VBUS Bypass Switch . . . . .	41
7.3 Attach Detection . . . . .	41
7.4 Removal Detection . . . . .	41
<hr/>	
<b>Chapter 8 Active State . . . . .</b>	<b>42</b>
8.1 Active State Overview . . . . .	42
8.2 Active Mode Selection . . . . .	42
8.3 BC1.2 Detection Renegotiation . . . . .	42
8.4 Data Pass-through (No Charger Emulation) . . . . .	42
8.5 BC1.2 SDP (No Charger Emulation) . . . . .	43
8.6 BC1.2 CDP . . . . .	43
8.6.1 BC1.2 CDP Charger Emulation Profile . . . . .	43
8.7 BC1.2 DCP . . . . .	44
8.7.1 BC1.2 DCP Charger Emulation Profile . . . . .	44
8.8 Dedicated Charger . . . . .	44
8.8.1 Emulation Reset . . . . .	44
8.8.2 Emulation Cycling . . . . .	45
8.8.3 DCE Cycle Retry . . . . .	45
8.9 Current Limit Mode Associations . . . . .	45
8.10 Preloaded Charger Emulation Profiles . . . . .	46
8.10.1 BC1.2 DCP Charger Emulation Profile Within DCE Cycle . . . . .	46
8.10.2 Legacy 2 Charger Emulation Profile . . . . .	46
8.10.3 Legacy 1, 3, 4, and 6 Charger Emulation Profiles . . . . .	47
8.10.4 Legacy 5 Charger Emulation Profile . . . . .	47
8.10.5 Legacy 7 Charger Emulation Profile . . . . .	48
<hr/>	
<b>Chapter 9 Package Information . . . . .</b>	<b>49</b>
9.1 Package Markings . . . . .	52
<hr/>	
<b>Chapter 10 Typical Operating Curves . . . . .</b>	<b>53</b>
<hr/>	
<b>Chapter 11 Document Revision History . . . . .</b>	<b>57</b>

## List of Figures

Figure 2.1	UCS1001-1 Pin Diagram . . . . .	10
Figure 2.2	UCS1001-2 Pin Diagram . . . . .	11
Figure 3.1	USB Rise Time / Fall Time Measurement . . . . .	21
Figure 3.2	Description of DC Terms . . . . .	21
Figure 4.1	UCS1001-1 System Configuration (No Charger Emulation) . . . . .	23
Figure 4.2	UCS1001-2 System Configuration (No Charger Emulation) . . . . .	24
Figure 4.3	UCS1001-1 System Configuration (No USB Host, with Charger Emulation) . . . . .	25
Figure 4.4	UCS1001-2 System Configuration (No USB Host, with Charger Emulation) . . . . .	26
Figure 4.5	Wake Timing . . . . .	29
Figure 6.1	Trip Current Limiting Operation . . . . .	37
Figure 6.2	Constant Current Limiting (Variable Slope) Operation . . . . .	38
Figure 9.1	UCS1001 Package View . . . . .	49
Figure 9.2	UCS1001 Package Dimensions and Notes . . . . .	50
Figure 9.3	UCS1001 PCB Layout Notes . . . . .	51
Figure 9.4	Recommended Thermal Landing Solder Paste Pattern . . . . .	51
Figure 9.5	UCS1001 Package Markings . . . . .	52
Figure 10.1	USB-IF High-speed Eye Diagram (without data switch) . . . . .	53
Figure 10.2	USB-IF High-speed Eye Diagram (with data switch) . . . . .	53
Figure 10.3	Short Applied After Power Up . . . . .	53
Figure 10.4	Power Up Into A Short . . . . .	53
Figure 10.5	Internal Power Switch Short Response . . . . .	53
Figure 10.6	VBUS Discharge Behavior . . . . .	53
Figure 10.7	Data Switch Off Isolation vs. Frequency . . . . .	54
Figure 10.8	Data Switch Bandwidth vs. Frequency . . . . .	54
Figure 10.9	Data Switch On Resistance vs. Temp . . . . .	54
Figure 10.10	Power Switch On Resistance vs. Temp . . . . .	54
Figure 10.11	$R_{DCP\_RES}$ Resistance vs. Temp . . . . .	54
Figure 10.12	Power Switch On / Off Time vs. Temp . . . . .	54
Figure 10.13	VS Over-Voltage Threshold vs. Temp . . . . .	55
Figure 10.14	VS Under Voltage Threshold vs. Temp . . . . .	55
Figure 10.15	Detect State VBUS vs. IBUS . . . . .	55
Figure 10.16	Trip Current Limit Operation vs. Temp . . . . .	55
Figure 10.17	IBUS Measurement Accuracy . . . . .	55
Figure 10.18	Active State Current vs. Temp . . . . .	56
Figure 10.19	Detect State Current vs. Temp . . . . .	56
Figure 10.20	Sleep State Current vs. Temp . . . . .	56



## List of Tables

Table 1.1	Terms and Abbreviations . . . . .	8
Table 2.1	UCS1001 Pin Description . . . . .	11
Table 2.2	Pin Types . . . . .	13
Table 3.1	Absolute Maximum Ratings . . . . .	14
Table 3.2	Power Dissipation Summary . . . . .	14
Table 3.3	Electrical Specifications . . . . .	15
Table 3.4	ESD Ratings . . . . .	22
Table 4.1	Power States Control Settings . . . . .	28
Table 6.1	UCS1001 ILIM Selection . . . . .	35
Table 8.1	Active Mode Selection . . . . .	42
Table 8.2	Current Limit Mode Options . . . . .	45
Table 11.1	Customer Revision History . . . . .	57



## Chapter 1 Terms and Abbreviations

**APPLICATION NOTE:** The M1, M2, PWR\_EN, and EM\_EN pins are referenced in text as the <pin name> control.

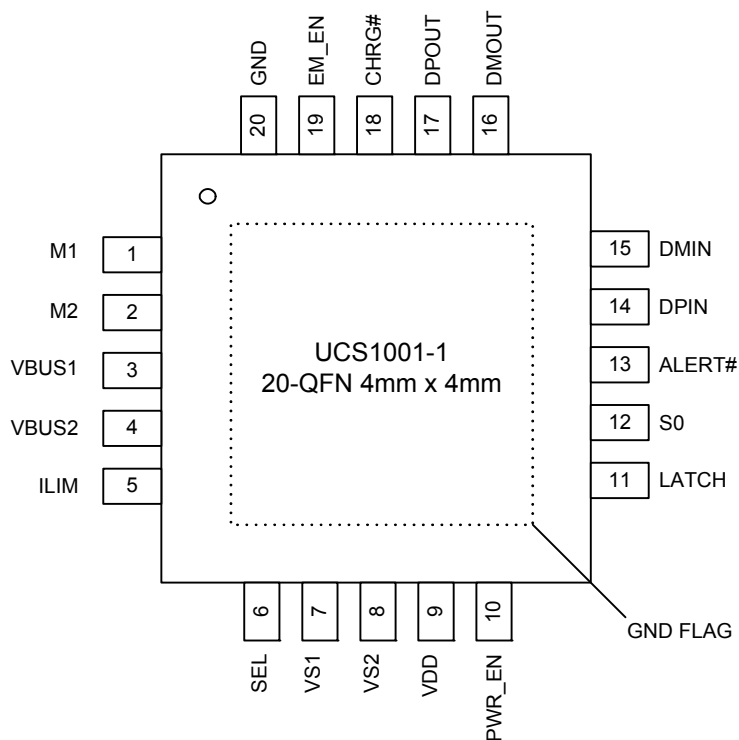
**Table 1.1 Terms and Abbreviations**

<b>TERM / ABBREVIATION</b>	<b>DESCRIPTION</b>
Active mode	Active power state operation mode: Data Pass-through, BC1.2 SDP, BC1.2 CDP, BC1.2 DCP, or Dedicated Charger Emulation Cycle.
attachment	The physical insertion of a portable device into a USB port that UCS1001 is controlling.
CC	Constant current
CDM	Charged Device Model. JEDEC model for characterizing susceptibility of a device to damage from ESD.
CDP or USB-IF BC1.2 CDP	Charging downstream port. The combination of the UCS1001 CDP handshake and an active standard USB host comprises a CDP. This enables a BC1.2 compliant portable device to simultaneously draw current up to 1.5 A while data communication is active. The USB high-speed data switch is closed in this mode.
charge enable	When a charger emulation profile has been accepted by a portable device and charging commences.
charger emulation profile	Representation of a charger comprised of DPOUT, DMOUT, and VBUS signalling which make up a defined set of signatures or handshaking protocols.
connection	USB-IF term which refers to establishing active USB communications between a USB host and a USB device.
current limiting mode	Determines the action that is performed when the IBUS current reaches the ILIM threshold. Trip opens the port power switch. Constant current (variable slope) allows VBUS to be dropped by the portable device.
DCE	Dedicated charger emulation. Charger emulation in which the UCS1001 can deliver power only. No active USB data communication is possible when charging in this mode.
DCP or USB-IF BC1.2 DCP	Dedicated Charging Port. This functions as a dedicated charger for a BC1.2 portable device. This allows the portable device to draw currents up to 1.5 A with constant current limiting (and beyond 1.5 A with trip current limiting). No USB communications are possible.
DC	Dedicated charger. A charger which inherently does not have USB communications, such as an A/C wall adapter.
disconnection	USB-IF term which refers to the loss of active USB communications between a USB host and a USB device.
dynamic thermal management	The UCS1001 automatically adjusts port power switch limits and modes to lower internal power dissipation when the thermal regulation temperature value is approached.
enumeration	A USB-specific term that indicates that a host is detecting and identifying USB devices.
handshake	Application of a charger emulation profile that requires a response. Two-way communication between the UCS1001 and the portable device.
HBM	Human Body Model.
HSW	High-speed switch.

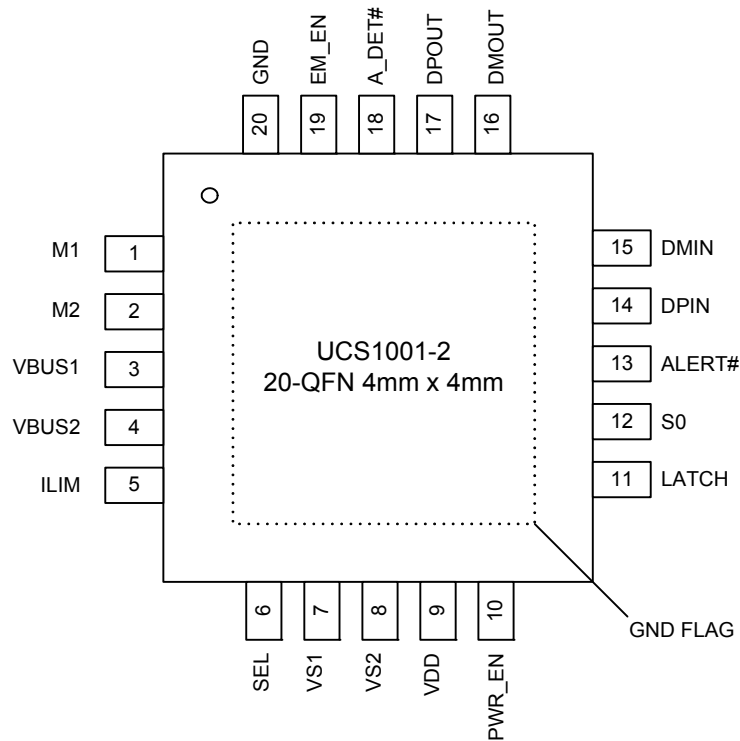
**Table 1.1 Terms and Abbreviations (continued)**

<b>TERM / ABBREVIATION</b>	<b>DESCRIPTION</b>
I <sub>BUS_R2MIN</sub>	Current limiter mode boundary.
ILIM	The IBUS current threshold used in current limiting. In trip mode, when ILIM is reached, the port power switch is opened. In constant current mode, when the current exceeds ILIM, operation continues at a reduced voltage and increased current; if VBUS voltage drops below V <sub>BUS_MIN</sub> , the port power switch is opened.
Legacy	USB devices that require non-BC1.2 signatures be applied on the DPOUT and DMOUT pins to enable charging.
OCL	Over-current limit.
portable device	USB device attached to the USB port.
power thief	A USB device that does not follow the handshaking conventions of a BC1.2 device or Legacy devices and draws current immediately upon receiving power (i.e., a USB book light, portable fan, etc).
removal	The physical removal of a portable device from a USB port that the UCS1001 is controlling.
SDP or USB-IF SDP	Standard downstream port. The combination of the UCS1001 high-speed switch being closed with an upstream USB host present comprises a BC1.2 SDP. This enables a BC1.2 compliant portable device to simultaneously draw current up to 0.5 A while data communication is active.
signature	Application of a charger emulation profile without waiting for a response. One-way communication from the UCS1001 to the portable device.

## Chapter 2 Pin Description



**Figure 2.1 UCS1001-1 Pin Diagram**



**Figure 2.2 UCS1001-2 Pin Diagram**

The pin types are described in [Table 2.2](#). All pins are 5 V tolerant.

**Table 2.1 UCS1001 Pin Description**

PIN NUMBER	PIN NAME	PIN FUNCTION	PIN TYPE	IF PIN NOT USED CONNECTION
1	M1	Active mode selector input #1	DI	Connect to ground or VDD (see <a href="#">Note 2.2</a> )
2	M2	Active mode selector input #2	DI	Connect to ground or VDD (see <a href="#">Note 2.2</a> )
3	VBUS1	Voltage output from Power Switch. These pins must be tied together.	Hi-Power, AIO <a href="#">Note 2.1</a>	Leave open
4	VBUS2			
5	ILIM	Selects the maximum current limit at power-up (see <a href="#">Table 6.1</a> , "UCS1001 ILIM Selection")	AIO	n/a
6	SEL	Selects polarity of PWR_EN control (see <a href="#">Section 4.3.2</a> , "SEL Input")	DI	n/a

**Table 2.1 UCS1001 Pin Description (continued)**

PIN NUMBER	PIN NAME	PIN FUNCTION	PIN TYPE	IF PIN NOT USED CONNECTION
7	VS1	Voltage input to Power Switch. These pins must be tied together.	Hi-Power, AIO	Connect to ground
8	VS2			
9	VDD	Main power supply input for chip functionality	Power	n/a
10	PWR_EN	Port power switch enable input. Polarity determined by SEL pin.	DI	Connect to ground or VDD (see <a href="#">Note 2.2</a> )
11	LATCH	Latch / Auto-recovery fault handling mechanism selection input (see <a href="#">Section 6.5, "Fault Handling Mechanism"</a> )	DI	n/a
12	S0	Enables Attach / Removal Detection feature (see <a href="#">Section 4.3.6, "S0 Input"</a> )	DI	n/a
13	ALERT#	Active low error event output flag (requires pull-up resistor)	OD	Connect to ground
14	DPIN	USB data input (plus)	AIO	Connect to ground or ground through a resistor
15	DMIN	USB data input (minus)	AIO	Connect to ground or ground through a resistor
16	DMOUT	USB data output (minus)	AIO	Connect to ground
17	DPOUT	USB data output (plus)	AIO	Connect to ground
18 (UCS1001-1)	CHRG#	Active low "Charging Active" output flag (requires pull-up resistor)	OD	Connect to ground
18 (UCS1001-2)	A_DET#	Active low Attach Detection output flag (requires pull-up resistor)	OD	Connect to ground
19	EM_EN	Active mode selector input	DI	Connect to ground or VDD (see <a href="#">Note 2.2</a> )
20	GND	Ground	Power	n/a
Bottom Pad	GND FLAG	Thermal connection to ground plane	Thermal Pad	n/a

**Note 2.1** Total leakage current from pins 3 and 4 (VBUS) to ground must be less than 100  $\mu$ A for proper attach / removal detection operation.

**Note 2.2** To ensure operation, the PWR\_EN pin must be enabled, as determined by the SEL pin decode, when it is not driven by an external device. Furthermore, one of the M1, M2, or EM\_EN pins must be connected to VDD if all three are not driven from an external device. If the PWR\_EN is disabled or all of the M1, M2, and EM\_EN are connected to ground, the UCS1001 will remain in the Sleep or Detect state indefinitely.



**Table 2.2 Pin Types**

<b>PIN TYPE</b>	<b>DESCRIPTION</b>
Power	This pin is used to supply power or ground to the device.
Hi-Power	This pin is a high current pin.
AIO	Analog Input / Output - this pin is used as an I/O for analog signals.
DI	Digital Input - this pin is used as a digital input.
OD	Open-drain Digital Output - used as a digital output. It is open-drain and requires a pull-up resistor.

## Chapter 3 Electrical Specifications

**Table 3.1 Absolute Maximum Ratings**

Voltage on VDD, VS, and VBUS pins	-0.3 to 6	V
Pullup voltage ( $V_{PULLUP}$ )	-0.3 to VDD + 0.3	
Data switch current ( $I_{HSW\_ON}$ ), switch on	±50	mA
Port power switch current	Internally limited	
Data switch pin voltage to ground (DPOUT, DPIN, DMOUT, DMIN); (VDD powered or unpowered)	-0.3 to VDD + 0.3	V
Differential voltage across open data switch (DPOUT - DPIN, DMOUT - DMIN, DPIN - DPOUT, DMIN - DMOUT)	VDD	V
Voltage on any other pin to ground	-0.3 to VDD + 0.3	V
Current on any other pin	±10	mA
Package power dissipation	See <a href="#">Table 3.2</a>	
Operating ambient temperature range	-40 to 125	°C
Storage temperature range	-55 to 150	°C

**Note:** Stresses above those listed could cause permanent damage to the UCS1001. This is a stress rating only and functional operation of the UCS1001 at any other condition above those indicated in the operation sections of this specification is not implied.

**Table 3.2 Power Dissipation Summary**

BOARD	PKG	$\theta_{JC}$	$\theta_{JA}$	DERATING FACTOR ABOVE 25 °C	TA < 25 °C POWER RATING	TA = 70 °C POWER RATING	TA = 85 °C POWER RATING
High K (see <a href="#">Note 3.1</a> )	20-pin QFN 4 mm x 4 mm	6 °C / W	41 °C / W	24.4 mW / °C	2193 mW	1095 mW	729 mW
Low K (see <a href="#">Note 3.1</a> )	20-pin QFN 4 mm x 4 mm	6 °C / W	60 °C / W	16.67 mW / °C	1498 mW	748 mW	498 mW

**Note 3.1** A High K board uses a thermal via design with the thermal landing soldered to the PCB ground plane with 0.3 mm (12 mil) diameter vias in a 3x3 matrix (9 total) at 0.5 mm (20 mil) pitch. The board is multi-layer with 1-ounce internal power and ground planes and 2-ounce copper traces on top and bottom. A Low K board is a two layer board without thermal via design with 2-ounce copper traces on the top and bottom.

**Table 3.3 Electrical Specifications**

VDD = 4.5 V to 5.5 V, VS = 2.9 V to 5.5 V, VPULLUP = 3 V to 5.5 V, TA = -40 °C to 85 °C all Typical values at VDD = VS = 5 V, TA = 27 °C unless otherwise noted.						
CHARACTERISTIC	SYMBOL	MIN	TYP	MAX	UNIT	CONDITIONS
Power and Interrupts - DC						
Supply Voltage	VDD	4.5	5	5.5	V	See <a href="#">Note 3.2</a>
Source Voltage	VS	2.9	5	5.5	V	See <a href="#">Note 3.2</a>
Supply Current in Active (IDD_ACTIVE + I <sub>VS_ACT</sub> )	I <sub>ACTIVE</sub>		650	750	μA	Average current IBUS = 0 mA
Supply Current in Sleep (IDD_SLEEP + I <sub>VS_SLEEP</sub> )	I <sub>SLEEP</sub>		5	8	μA	Average current VPULLUP ≤ VDD
Supply Current in Detect (IDD_DETECT + I <sub>VS_DETECT</sub> )	I <sub>DETECT</sub>		185	220	μA	Average current No portable device attached.
Power-on Reset						
VS Low Threshold	V <sub>S_UVLO</sub>		2.5	2.7	V	VS voltage increasing
VS Low Hysteresis	V <sub>S_UVLO_HYST</sub>		100		mV	VS voltage decreasing
VDD Low Threshold	V <sub>DD_TH</sub>		4	4.4	V	VDD voltage increasing
VDD Low Hysteresis	V <sub>DD_TH_HYST</sub>		500		mV	VDD voltage decreasing
I/O Pins - EM_EN, M1, M2, PWR_EN, S0, LATCH, ALERT#, CHRG# (UCS1001-1), A_DET# (UCS1001-2) - DC Parameters						
Output Low Voltage	V <sub>OL</sub>			0.4	V	I <sub>SINK_IO</sub> = 8 mA ALERT#, CHRG#, A_DET#
Input High Voltage	V <sub>IH</sub>	2.0			V	PWR_EN, EM_EN, M1, M2, LATCH, S0
Input Low Voltage	V <sub>IL</sub>			0.8	V	PWR_EN, EM_EN, M1, M2, EM_EN, LATCH, S0
Leakage Current	I <sub>LEAK</sub>			±5	μA	Powered or unpowered VPULLUP ≤ VDD TA < 85 °C
Interrupt Pins - AC Parameters						
ALERT#, A_DET# (UCS1001-2) Pin Blanking Time	t <sub>BLANK</sub>		25		ms	
ALERT# Pin Interrupt Masking Time	t <sub>MASK</sub>		5		ms	

**Table 3.3 Electrical Specifications (continued)**

VDD = 4.5 V to 5.5 V, VS = 2.9 V to 5.5 V, V <sub>PULLUP</sub> = 3 V to 5.5 V, T <sub>A</sub> = -40 °C to 85 °C all Typical values at VDD = VS = 5 V, T <sub>A</sub> = 27 °C unless otherwise noted.						
CHARACTERISTIC	SYMBOL	MIN	TYP	MAX	UNIT	CONDITIONS
<b>High-speed Data Switch</b>						
High-speed Data Switch - DC Parameters						
Switch Leakage Current	I <sub>HSW_OFF</sub>		±0.5		µA	Switch open - DPIN to DPOUT, DMIN to DMOUT, or all four pins to ground. VDD ≤ VS.
Charger Resistance	R <sub>CHG</sub>	2			MΩ	DPOUT or DMOUT to VBUS or ground, see <a href="#">Figure 3.2</a> BC1.2 DCP charger emulation active
On Resistance	R <sub>ON_HSW</sub>		2		Ω	Switch closed, VDD = 5 V test current = 8 mA, test voltage = 0.4 V, see <a href="#">Figure 3.2</a>
On Resistance	R <sub>ON_HSW_1</sub>		5		Ω	Switch closed, VDD = 5 V, test current = 8 mA, test voltage = 3.0 V, see <a href="#">Figure 3.2</a>
Delta On Resistance	ΔR <sub>ON_HSW</sub>		±0.3		Ω	Switch closed, VDD = 5 V I <sub>TST</sub> = 8 mA, V <sub>TST</sub> = 0 to 1.5 V, see <a href="#">Figure 3.2</a>
High-speed Data Switch - AC Parameters						
DP, DM Capacitance to Ground	C <sub>HSW_ON</sub>		4		pF	Switch closed VDD = 5 V
DP, DM Capacitance to Ground	C <sub>HSW_OFF</sub>		2		pF	Switch open VDD = 5 V
Turn Off Time	t <sub>HSW_OFF</sub>		400		µs	Time from state control (EM_EN, M1, M2) switch on to switch off, R <sub>TERM</sub> = 50 Ω, C <sub>LOAD</sub> = 5 pF
Turn On Time	t <sub>HSW_ON</sub>		400		µs	Time from state control (EM_EN, M1, M2) switch off to switch on, R <sub>TERM</sub> = 50 Ω, C <sub>LOAD</sub> = 5 pF
Propagation Delay	t <sub>PD</sub>		0.25		ns	R <sub>TERM</sub> = 50 Ω, C <sub>LOAD</sub> = 5 pF
Propagation Delay Skew	Δt <sub>PD</sub>		25		ps	R <sub>TERM</sub> = 50 Ω, C <sub>LOAD</sub> = 5 pF
Rise/Fall Time	t <sub>F/R</sub>		10		ns	R <sub>TERM</sub> = 50 Ω, C <sub>LOAD</sub> = 5 pF
DP - DM Crosstalk	X <sub>TALK</sub>		-40		dB	R <sub>TERM</sub> = 50 Ω, C <sub>LOAD</sub> = 5 pF
Off Isolation	O <sub>IRR</sub>		-30		dB	R <sub>TERM</sub> = 50 Ω, C <sub>LOAD</sub> = 5 pF f = 240 MHz

**Table 3.3 Electrical Specifications (continued)**

VDD = 4.5 V to 5.5 V, VS = 2.9 V to 5.5 V, V <sub>PULLUP</sub> = 3 V to 5.5 V, T <sub>A</sub> = -40 °C to 85 °C all Typical values at VDD = VS = 5 V, T <sub>A</sub> = 27 °C unless otherwise noted.						
CHARACTERISTIC	SYMBOL	MIN	TYP	MAX	UNIT	CONDITIONS
-3dB Bandwidth	BW		1100		MHz	R <sub>TERM</sub> = 50 Ω, C <sub>LOAD</sub> = 1.5 pF V <sub>DPOUT</sub> = V <sub>DMOUT</sub> = 350 mV DC
Total Jitter	t <sub>J</sub>		200		ps	R <sub>TERM</sub> = 50 Ω, C <sub>LOAD</sub> = 5 pF, rise time = fall time = 500 ps at 480 Mbps (PRBS = 2 <sup>15</sup> - 1)
Skew of Opposite Transitions of the Same Output	t <sub>SK(P)</sub>		20		ps	R <sub>TERM</sub> = 50 Ω, C <sub>LOAD</sub> = 5 pF
<b>Port Power Switch</b>						
Port Power Switch - DC Parameter						
Over-voltage Lockout	V <sub>S_OV</sub>		6		V	
On Resistance	R <sub>ON_PSW</sub>		55	65	mΩ	4.75 V < VS < 5.25 V
VS Leakage Current	I <sub>LEAK_VS</sub>		2.2	5	μA	Sleep state into VS pin
Back-voltage Protection Threshold	V <sub>BV_TH</sub>		150		mV	VBUS > VS VS > V <sub>S_UVLO</sub>
Back-drive Current	I <sub>BD_1</sub>		0	3	μA	VDD < V <sub>DD_TH</sub> , Any powered power pin to any unpowered power pin. Current out of unpowered pin.
	I <sub>BD_2</sub>		0	2	μA	VDD > V <sub>DD_TH</sub> , Any powered power pin to any unpowered power pin, except for VDD to VBUS in Detect power state and VS to VBUS in Active power state. Current out of unpowered pin.



**Table 3.3 Electrical Specifications (continued)**

VDD = 4.5 V to 5.5 V, VS = 2.9 V to 5.5 V, V <sub>PULLUP</sub> = 3 V to 5.5 V, T <sub>A</sub> = -40 °C to 85 °C all Typical values at VDD = VS = 5 V, T <sub>A</sub> = 27 °C unless otherwise noted.						
CHARACTERISTIC	SYMBOL	MIN	TYP	MAX	UNIT	CONDITIONS
Selectable Current Limits	I <sub>LIM1</sub>	450	467	500	mA	ILIM Resistor = 47 kΩ (500 mA setting)
	I <sub>LIM2</sub>	810	839	900	mA	ILIM Resistor = 56 kΩ (900 mA setting)
	I <sub>LIM3</sub>	900	932	1000	mA	ILIM Resistor = 68 kΩ (1000 mA setting)
	I <sub>LIM4</sub>	1080	1112	1200	mA	ILIM Resistor = 82 kΩ (1200 mA setting)
	I <sub>LIM5</sub>	1350	1385	1500	mA	ILIM Resistor = 100 kΩ (1500 mA setting)
	I <sub>LIM6</sub>	1620	1702	1800	mA	ILIM Resistor = 120 kΩ (1800 mA setting)
	I <sub>LIM7</sub>	1800	1892	2000	mA	ILIM Resistor = 150 kΩ (2000 mA setting)
	I <sub>LIM8</sub>	2250	2355	2500	mA	ILIM Resistor = VDD (2500 mA setting)
Thermal Regulation Limit	T <sub>REG</sub>		110		°C	Die Temperature at which current limit will be reduced
Thermal Regulation Hysteresis	T <sub>REG_HYST</sub>		10		°C	Hysteresis for t <sub>REG</sub> functionality. Temperature must drop by this value before ILIM value restored to normal operation
Thermal Shutdown Threshold	T <sub>TSD</sub>		135		°C	Die Temperature at which port power switch will turn off
Thermal Shutdown Hysteresis	T <sub>TSD_HYST</sub>		35		°C	After shutdown due to T <sub>TSD</sub> being reached, die temperature drop required before port power switch can be turned on again
Auto-recovery Test Current	I <sub>TEST</sub>		190		mA	Portable device attached, VBUS = 0 V, Die temp < T <sub>TSD</sub>
Auto-recovery Test Voltage	V <sub>TEST</sub>		750		mV	Portable device attached, VBUS = 0 V before application, Die temp < T <sub>TSD</sub>
Discharge Impedance	R <sub>DISCHARGE</sub>	100			Ω	

**Table 3.3 Electrical Specifications (continued)**

VDD = 4.5 V to 5.5 V, VS = 2.9 V to 5.5 V, VPULLUP = 3 V to 5.5 V, TA = -40 °C to 85 °C all Typical values at VDD = VS = 5 V, TA = 27 °C unless otherwise noted.						
CHARACTERISTIC	SYMBOL	MIN	TYP	MAX	UNIT	CONDITIONS
Port Power Switch - AC Parameters						
Turn On Delay	t <sub>ON_PSW</sub>		0.75		ms	PWR_EN active toggle to switch on time, VBUS discharge not active
Turn Off Time	t <sub>OFF_PSW_INA</sub>		0.75		ms	PWR_EN inactive toggle to switch off time C <sub>BUS</sub> = 120 μF
Turn Off Time	t <sub>OFF_PSW_ERR</sub>		1		ms	Over-current Error, VBUS Min Error, or Discharge Error to switch off C <sub>BUS</sub> = 120 μF
Turn Off Time	t <sub>OFF_PSW_ERR</sub>		100		ns	TSD or Back-drive Error to switch off C <sub>BUS</sub> = 120 μF
VBUS Output Rise Time	t <sub>R_BUS</sub>		1.1		ms	Measured from 10% to 90% of VBUS, C <sub>LOAD</sub> = 220 μF ILIM = 1.0 A
Soft Turn on Rate	ΔI <sub>BUS</sub> / Δt		100		mA / μs	
Temperature Update Time	t <sub>DC_TEMP</sub>		200		ms	
Short Circuit Response Time	t <sub>SHORT_LIM</sub>		1.5		μs	Time from detection of short to current limit applied. No C <sub>BUS</sub> applied
Short Circuit Detection Time	t <sub>SHORT</sub>		6		ms	Time from detection of short to port power switch disconnect and ALERT# pin assertion.
Latched Mode Cycle Time	t <sub>UL</sub>		7		ms	From PWR_EN edge transition from inactive to active to begin error recovery
Auto-recovery Mode Cycle Time	t <sub>CYCLE</sub>		25		ms	Time delay before error condition check
Auto-recovery Delay	t <sub>RST</sub>		20		ms	Portable device attached, VBUS must be ≥ V <sub>TEST</sub> after this time
Discharge Time	t <sub>DISCHARGE</sub>		200		ms	Amount of time discharge resistor applied

**Table 3.3 Electrical Specifications (continued)**

VDD = 4.5 V to 5.5 V, VS = 2.9 V to 5.5 V, V <sub>PULLUP</sub> = 3 V to 5.5 V, T <sub>A</sub> = -40 °C to 85 °C all Typical values at VDD = VS = 5 V, T <sub>A</sub> = 27 °C unless otherwise noted.						
CHARACTERISTIC	SYMBOL	MIN	TYP	MAX	UNIT	CONDITIONS
Port Power Switch Operation With Trip Mode Current Limiting						
Region 2 Current Keep-out	I <sub>BUS_R2MIN</sub>			0.1	A	
Minimum VBUS Allowed at Output	V <sub>BUS_MIN</sub>	2.0			V	
Port Power Switch Operation With Constant Current Limiting (Variable Slope)						
Region 2 Current Keep-out	I <sub>BUS_R2MIN</sub>			1.5	A	
Minimum VBUS Allowed at Output	V <sub>BUS_MIN</sub>	2.0			V	
VBUS Bypass - DC						
On Resistance	R <sub>ON_BYP</sub>		50		Ω	
Leakage Current	I <sub>LEAK_BYP</sub>			3	μA	Switch off
Current Limit	I <sub>DET_CHG</sub> / I <sub>BUS_BYP</sub>		2		mA	VDD = 5 V and VBUS > 4.75 V
Allowed Charge Time	t <sub>DET_CHARGE</sub>		800		ms	C <sub>BUS</sub> = 500 μF max
<b>Charger Emulation Profile</b>						
General Emulation - DC						
DP-DM Shunt Resistor Value	R <sub>DCP_RES</sub>			200	Ω	Connected between DPOUT and DMOUT 0 V < DPOUT = DMOUT ≤ 3 V
Voltage Output	SX_RXMAG_VOLT_BC	0.5			V	DMOUT 250 μA load
Pull-down Current	SX_PUPD_ACC_BC	50			μA	DPOUT or DMOUT = 0.15 V Compliance voltage
General Emulation - AC						
Emulation Reset Time	t <sub>EM_RESET</sub>		50		ms	

**Note 3.2** For split supply systems using the Attach Detection feature, VS must not exceed VDD + 150 mV.

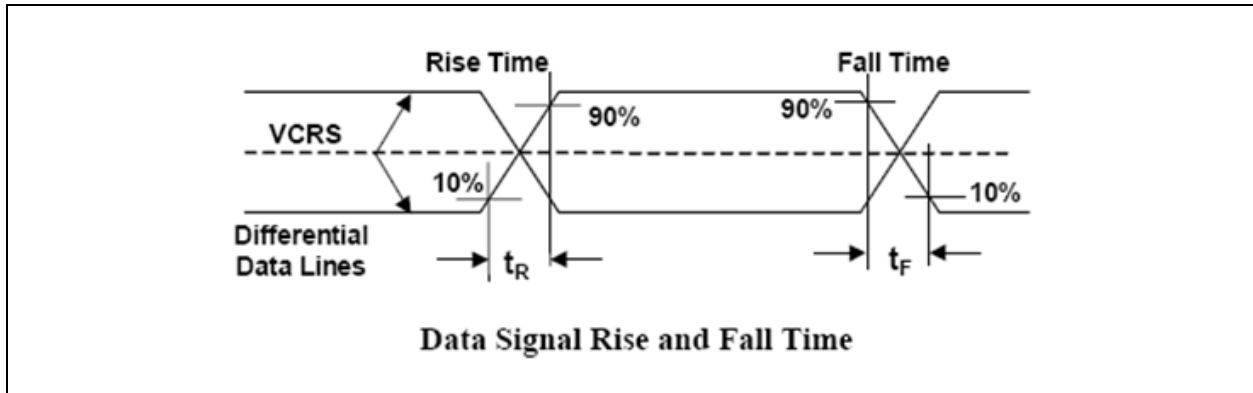


Figure 3.1 USB Rise Time / Fall Time Measurement

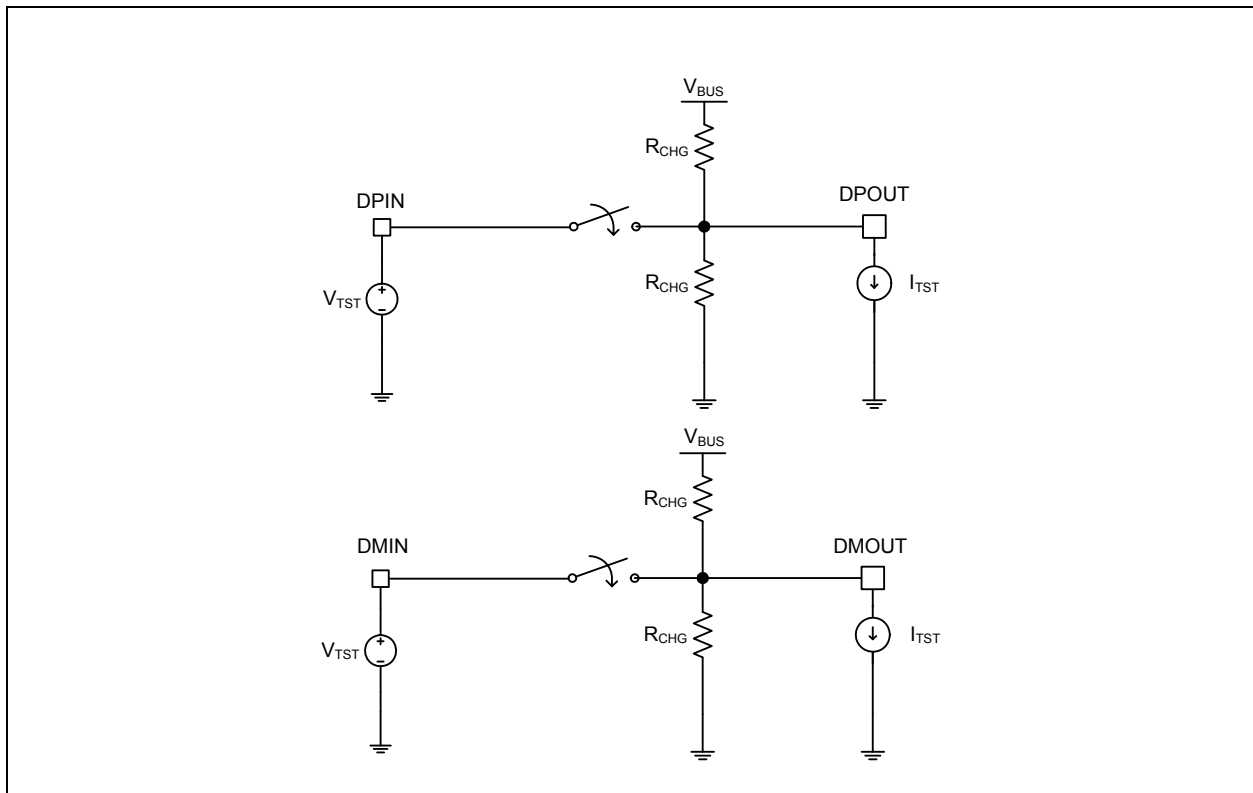


Figure 3.2 Description of DC Terms

## 3.1 ESD & Transient Performance

**APPLICATION NOTE:** Depending on the level of ESD protection required by the application, external protection devices may be required. The datasheet ESD levels were reached using external devices and standard USB-A connectors; refer to the EVB schematic and reference design for details.

**Table 3.4 ESD Ratings**

ESD SPEC	RATING OR VALUE
EN / IEC61000-4-2 (DPOUT, DMOUT pins) air gap, Operational Classification B (see <a href="#">Note 3.3</a> )	Level 4 (15 kV)
EN / IEC61000-4-2 (DPOUT, DMOUT pins) direct contact, Operational Classification B (see <a href="#">Note 3.3</a> )	Level 4 (8 kV)
EN / IEC61000-4-2 (VBUS, GND pins) air gap, Operational Classification A (see <a href="#">Note 3.4</a> )	Level 4 (15 kV)
EN / IEC61000-4-2 (VBUS, GND pins) direct contact, Operational Classification A (see <a href="#">Note 3.4</a> )	Level 4 (8 kV)
Human Body Model (JEDEC JESD22-A114) - All pins	8 kV
Charged Device Model (JEDEC JESD22-C101) - All pins	500 V

**Note 3.3** Operational Classification B indicates that during and immediately after an ESD event, anomalous behavior may occur; however, it is non-damaging and the device is self-recovering. All IEC testing is performed using an SMSC evaluation board.

**Note 3.4** Operational Classification A indicates that during and immediately after an ESD event no anomalous behavior will occur. All IEC testing is performed using an SMSC evaluation board.

### 3.1.1 Human Body Model (HBM) Performance

HBM testing verifies the ability to withstand ESD strikes like those that occur during handling and manufacturing and is done without power applied to the IC. To pass the test, the device must have no change in operation or performance due to the event.

### 3.1.2 Charged Device Model (CDM) Performance

CDM testing verifies the ability to withstand ESD strikes like those that occur during handling and assembly with pick and place style machinery and is done without power applied to the IC. To pass the test, the device must have no change in operation or performance due to the event.

### 3.1.3 IEC61000-4-2 Performance

The IEC61000-4-2 ESD specification is an international standard that addresses system-level immunity to ESD strikes while the end equipment is operational. These tests are performed while the device is powered.



## Chapter 4 General Description

The UCS1001 provides a single USB port power switch for precise control of up to 2.5 amperes continuous current with over-current limit (OCL), dynamic thermal management, latch or auto-recovery fault handling, selectable active low or high enable, under- and over-voltage lockout, and back-voltage protection.

Split supply support for VBUS and VDD is an option for low power in system standby states.

In addition to power switching and current limiting, the UCS1001 provides charger emulation profiles to charge a wide variety of portable devices, including USB-IF BC1.2 (CDP or DCP modes), YD/T-1591 (2009), most Apple and RIM portable devices, and many others.

Figure 4.1 shows a system configuration in which the UCS1001-1 provides a port power switch, low power Attach Detection, and charging active signaling. Figure 4.2 shows a system configuration in which the UCS1001-2 provides a port power switch, low power Attach Detection, and portable device Attach Detection signaling. These configurations are useful for applications that already provide USB BC1.2 and/or legacy data line handshaking on the USB data lines, but still require port power switching.

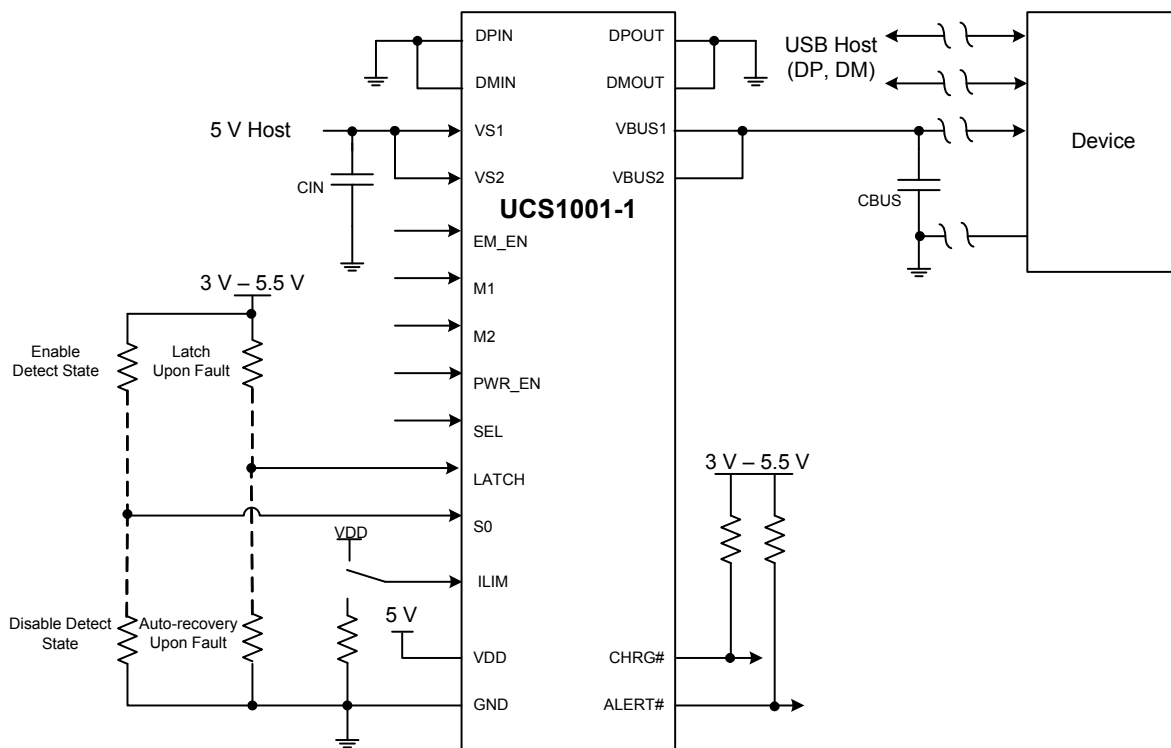
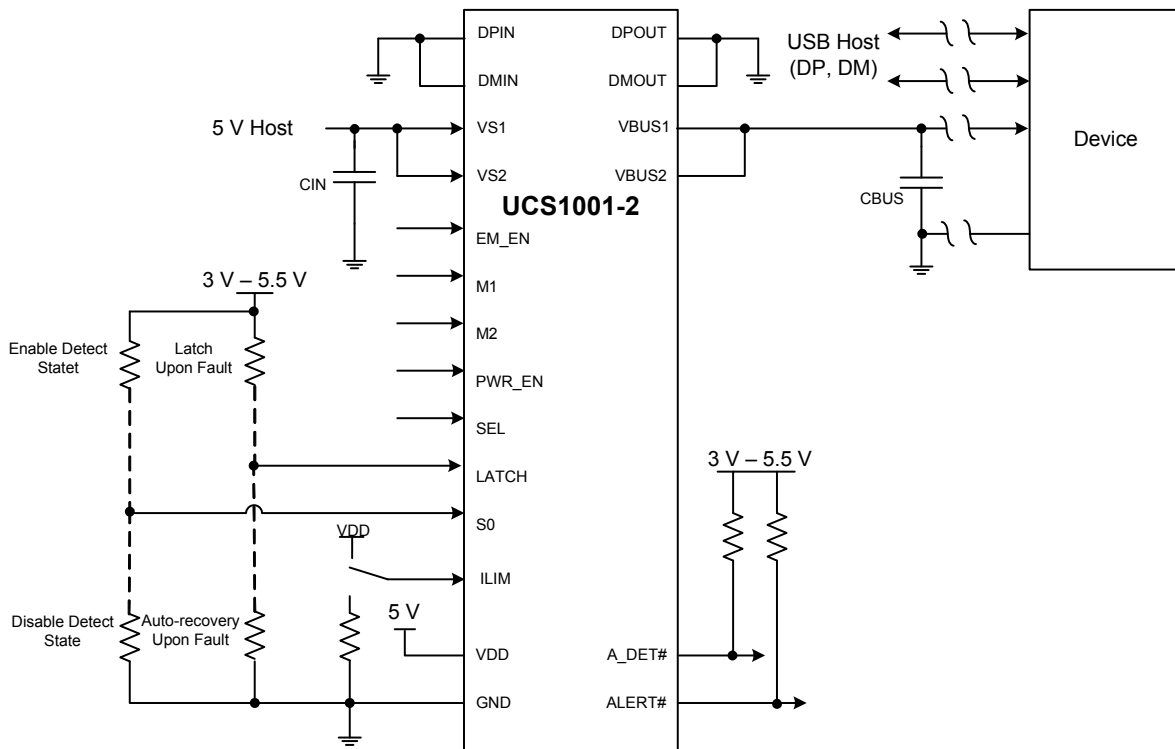
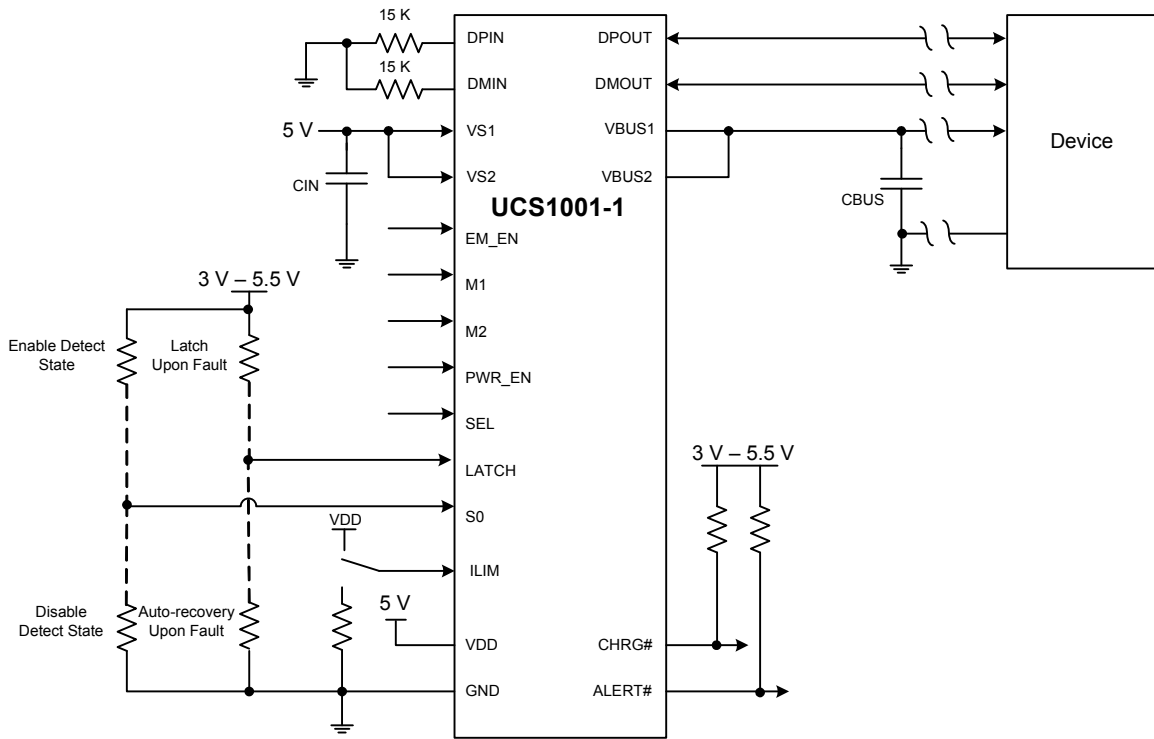


Figure 4.1 UCS1001-1 System Configuration (No Charger Emulation)



**Figure 4.2 UCS1001-2 System Configuration (No Charger Emulation)**

Figure 4.3 shows a system configuration in which the UCS1001-1 provides a port power switch, low power Attach Detection, charger emulation (with no USB host), and charging active signaling. Figure 4.4 shows a system configuration in which the UCS1001-2 provides a port power switch, low power Attach Detection, charger emulation (with no USB host), and portable device Attach Detection signaling. These configurations are useful for wall adapter type applications.



**Figure 4.3 UCS1001-1 System Configuration (No USB Host, with Charger Emulation)**