



Chipsmall Limited consists of a professional team with an average of over 10 year of expertise in the distribution of electronic components. Based in Hongkong, we have already established firm and mutual-benefit business relationships with customers from,Europe,America and south Asia,supplying obsolete and hard-to-find components to meet their specific needs.

With the principle of “Quality Parts,Customers Priority,Honest Operation,and Considerate Service”,our business mainly focus on the distribution of electronic components. Line cards we deal with include Microchip,ALPS,ROHM,Xilinx,Pulse,ON,Everlight and Freescale. Main products comprise IC,Modules,Potentiometer,IC Socket,Relay,Connector.Our parts cover such applications as commercial,industrial, and automotives areas.

We are looking forward to setting up business relationship with you and hope to provide you with the best service and solution. Let us make a better world for our industry!



Contact us

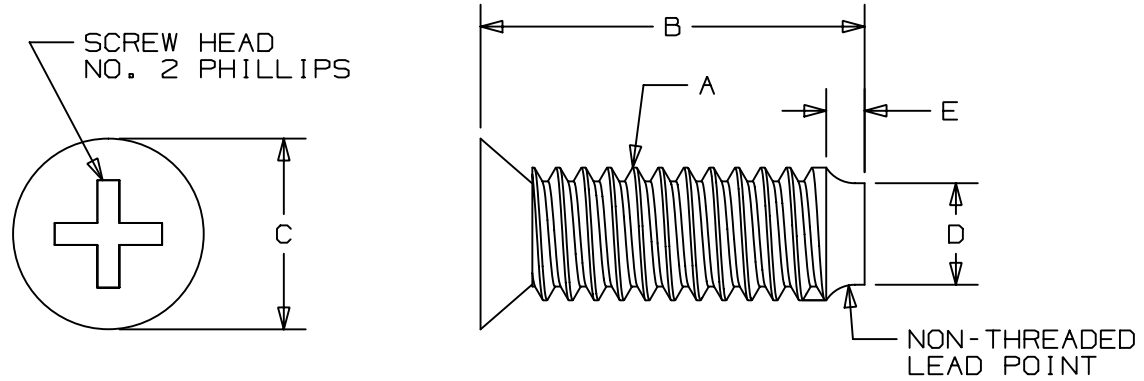
Tel: +86-755-8981 8866 Fax: +86-755-8427 6832

Email & Skype: info@chipsmall.com Web: www.chipsmall.com

Address: A1208, Overseas Decoration Building, #122 Zhenhua RD., Futian, Shenzhen, China



THIS COPY IS PROVIDED ON A RESTRICTED BASIS AND IS NOT TO BE USED IN ANY WAY DETRIMENTAL TO THE INTERESTS OF PANDUIT CORP.



PANDUIT PART NO.	A	B in (mm)	C in (mm)	D in (mm)	E in (mm)	APPROX. WEIGHT 10 PCS. lbs. (g)	FOR USE WITH THESE CINCH TIES
UCTGS1224	#12-24	0.625 (15.875)	0.310 (7.87)	0.146 (3.71)	0.063 (1.60)	.046 (21)	UGCTC3S, UGCTC5S, UGCTE3S, UGCTE5S,
UCTGSM5	M5	0.630 (16.00)	0.310 (7.87)	0.165 (4.20)	0.059 (1.50)	.042 (19)	GCTC3S, GCTC5S, GCTE2S, GCTE4S
UCTGSM6	M6	0.630 (16.00)	0.310 (7.87)	0.165 (4.20)	0.059 (1.50)	.055 (25)	

NOTES:
 1) SEE CURRENT PRICE SHEET FOR PART NUMBER SUFFIX DESIGNATION FOR PACKAGE SIZE.
 2) FINISH: BLACK ZINC.

										DIMENSIONS IN PARENTHESES ARE IN METRIC UNITS					
										SS-27409_00					
										PANDUIT CORP. TINLEY PARK, ILLINOIS					
										UCT MOUNTING SCREWS					
										UNLESS OTHERWISE SPECIFIED, DIMENSIONAL TOLERANCES ARE: (.X)± (.XXX)± .040 (.XX)± ANGLES°		UNLESS OTHERWISE SPECIFIED, ALL DIMENSIONS ARE GIVEN IN INCHES, THIRD ANGLE PROJECTION.			
										DRAWN BY TJ		MAT'L; STEEL		SCALE 5X	
										DATE 9/20/03		DRAWING NO. SS-27409		DWG A	
										CHK'D				SIZE	
R	10/20/03	TJ		DRAWING RELEASED	27409	R									
REV	DATE	BY	CHK	DESCRIPTION	ECN	- R	CUST	SUP							