



Chipsmall Limited consists of a professional team with an average of over 10 year of expertise in the distribution of electronic components. Based in Hongkong, we have already established firm and mutual-benefit business relationships with customers from,Europe,America and south Asia,supplying obsolete and hard-to-find components to meet their specific needs.

With the principle of "Quality Parts,Customers Priority,Honest Operation,and Considerate Service",our business mainly focus on the distribution of electronic components. Line cards we deal with include Microchip,ALPS,ROHM,Xilinx,Pulse,ON,Everlight and Freescale. Main products comprise IC,Modules,Potentiometer,IC Socket,Relay,Connector.Our parts cover such applications as commercial,industrial, and automotives areas.

We are looking forward to setting up business relationship with you and hope to provide you with the best service and solution. Let us make a better world for our industry!



Contact us

Tel: +86-755-8981 8866 Fax: +86-755-8427 6832

Email & Skype: info@chipsmall.com Web: www.chipsmall.com

Address: A1208, Overseas Decoration Building, #122 Zhenhua RD., Futian, Shenzhen, China



● Carrier tape

(mm)

Fig.1 For $\phi 3$ to $\phi 10$

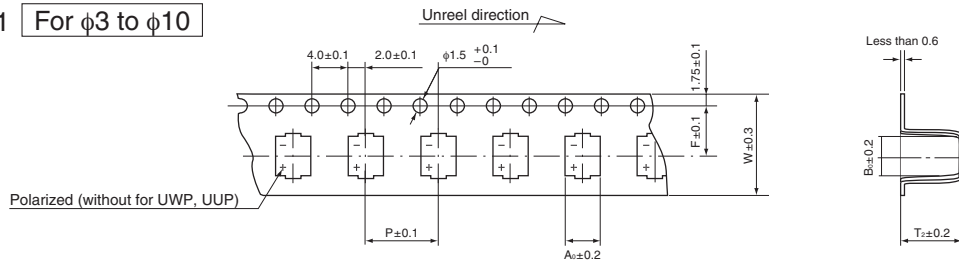
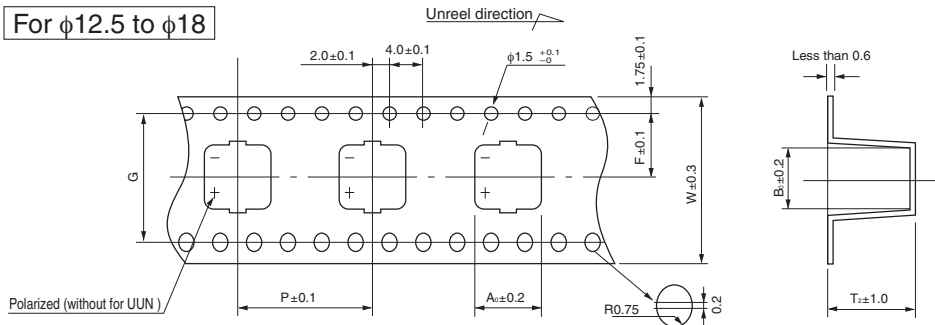


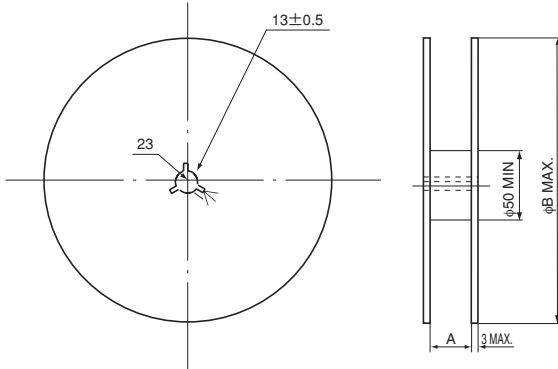
Fig.2 For $\phi 12.5$ to $\phi 18$



Size	Item							fig.	Type - Series			
	W	P	F	A ₀	B ₀	T ₂	G					
$\phi 4 \times 5.5$ L	12.0	8.0	5.5	4.7	4.7	5.7	—	1	PCF, PCJ, PCK, PCG, PCS, PCV, PCX, PCR (Conductive Polymer Aluminum Solid Electrolytic Capacitors)			
$\phi 5 \times 6$ L	12.0	12.0	5.5	5.7	5.7	6.3						
$\phi 6.3 \times 5.5$ L	16.0	12.0	7.5	7.0	7.0	5.7						
$\phi 6.3 \times 6$ L	16.0	12.0	7.5	7.0	7.0	6.3						
$\phi 6.3 \times 8$ L	16.0	12.0	7.5	7.0	7.0	8.2						
$\phi 8 \times 7$ L	24.0	12.0	11.5	8.7	8.7	7.3						
$\phi 8 \times 8$ L	24.0	12.0	11.5	8.7	8.7	8.3						
$\phi 8 \times 10$ L	24.0	16.0	11.5	8.7	8.7	11.0						
$\phi 8 \times 10.5$ L	24.0	16.0	11.5	8.7	8.7	11.0						
$\phi 8 \times 12$ L	24.0	16.0	11.5	8.7	8.7	12.3						
$\phi 10 \times 8$ L	24.0	16.0	11.5	10.7	10.7	8.3						
$\phi 10 \times 10$ L	24.0	16.0	11.5	10.7	10.7	11.0						
$\phi 10 \times 10.5$ L	24.0	16.0	11.5	10.7	10.7	11.0						
$\phi 10 \times 12.7$ L	24.0	16.0	11.5	10.7	10.7	12.8						
$\phi 6.3 \times 5.8$ L	16.0	12.0	7.5	7.0	7.0	6.3						
$\phi 6.3 \times 7.7$ L	16.0	12.0	7.5	7.0	7.0	8.0						
$\phi 8 \times 10$ L	24.0	16.0	11.5	8.7	8.7	11.0						
$\phi 10 \times 10$ L	24.0	16.0	11.5	10.7	10.7	11.0						
$\phi 4 \times 3.9$ L	12.0	8.0	5.5	4.7	4.7	4.3	—	1	GYA (Conductive Polymer Hybrid Aluminum Electrolytic Capacitors)			
$\phi 5 \times 3.9$ L	12.0	12.0	5.5	5.7	5.7	4.3						
$\phi 6.3 \times 3.9$ L	16.0	12.0	7.5	7.0	7.0	4.4						
$\phi 4 \times 4.5$ L	12.0	8.0	5.5	4.7	4.7	4.9	—	1	UZR, UZG			
$\phi 5 \times 4.5$ L	12.0	12.0	5.5	5.7	5.7	4.9						
$\phi 6.3 \times 4.5$ L	16.0	12.0	7.5	7.0	7.0	5.0						
$\phi 3 \times 5.4$ L	12.0	8.0	5.5	3.6	3.6	5.8	—	1	UZS, UZT			
$\phi 4 \times 5.4$ L	12.0	8.0	5.5	4.7	4.7	5.8						
$\phi 5 \times 5.4$ L	12.0	12.0	5.5	5.7	5.7	5.8						
$\phi 6.3 \times 5.4$ L	16.0	12.0	7.5	7.0	7.0	5.8	—	1	UWX, UWR, UWJ, UWP, UWT, UWZ, UWF, UWG, UUQ			
$\phi 8 \times 5.4$ L	16.0	12.0	7.5	8.7	8.7	5.8						
$\phi 4 \times 5.8$ L	12.0	8.0	5.5	4.7	4.7	6.3						
$\phi 5 \times 5.8$ L	12.0	12.0	5.5	5.7	5.7	6.3	—	1	UWT, UWZ, UUT, UUP, UCD, UCL, UCM, UUD, UWD, UUR, UWS, UUA, UUL			
$\phi 6.3 \times 5.8$ L	16.0	12.0	7.5	7.0	7.0	6.3						
$\phi 4 \times 7$ L	12.0	8.0	5.5	4.7	4.7	7.5						
$\phi 5 \times 7$ L	16.0	12.0	7.5	5.7	5.7	7.5	—	1	UWT, UWZ, UWF, UWG, UUA, UUL, UCB, UCW, UCD, UCL, UCM, UCY, UUD, UWD, UUB, UWH, ULT, ULH, UCJ, UCZ, UCH, UCX, UUR, UUX, ULR, ULV, UUQ, UUE, UBC			
$\phi 6.3 \times 7$ L	16.0	12.0	7.5	7.0	7.0	7.5						
$\phi 6.3 \times 7.7$ L	16.0	12.0	7.5	7.0	7.0	8.0						
$\phi 6.3 \times 8.7$ L	16.0	12.0	7.5	7.0	7.0	9.1						
$\phi 6.3 \times 10$ L	16.0	12.0	7.5	7.0	7.0	11.4						
$\phi 8 \times 6.2$ L	16.0	12.0	7.5	8.7	8.7	6.8						
$\phi 8 \times 10$ L	24.0	16.0	11.5	8.7	8.7	11.0						
$\phi 10 \times 7.7$ L	24.0	16.0	11.5	10.7	10.7	8.4						
$\phi 10 \times 10$ L	24.0	16.0	11.5	10.7	10.7	11.0						
$\phi 10 \times 13.5$ L	24.0	16.0	11.5	10.7	10.7	14.1						
$\phi 12.5 \times 13.5$ L	32.0	24.0	14.2	14.0	14.0	14.0				28.4	2	UCD, UCX, UCZ, UUG, UUU, UUN, UUE, UBC
$\phi 12.5 \times 16$ L	32.0	24.0	14.2	14.0	14.0	16.3				28.4		
$\phi 12.5 \times 21$ L	32.0	24.0	14.2	14.0	14.0	21.3	28.4					
$\phi 16 \times 16.5$ L	44.0	28.0	20.2	17.5	17.5	16.8	40.4					
$\phi 16 \times 21.5$ L	44.0	28.0	20.2	17.5	17.5	21.8	40.4					
$\phi 18 \times 16.5$ L	44.0	32.0	20.2	19.5	19.5	16.8	40.4					
$\phi 18 \times 21.5$ L	44.0	32.0	20.2	19.5	19.5	21.8	40.4					

● Reel ※ Please refer to page 28 about the FPCAP product spec.

(mm)



Conductive Polymer Aluminum Solid Electrolytic Capacitors

φD	4	5	6.3	8	10
A	14		18		26
B	382				

Conductive Polymer Hybrid Aluminum Electrolytic Capacitors

φD	6.3	8	10
A	18		26
B	382		

Aluminum Electrolytic Capacitors

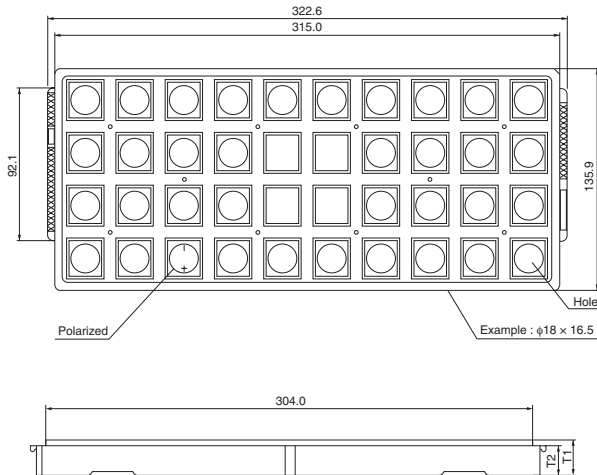
φD	3, 4	5×3, 5×3.9, 5×4.5, 5×5.4, 5×5.8	5×7	6.3	8×5.4, 8×6.2	8×7, 8×10, 10×7.7, 10×8, 10×10, 10×13.5	12.5	16, 18
A	14	14	18	18	18	26	34	46
B	382	382	382	382	382	382	332	332

Package quantity

φD, φD × L	Q'ty / reel
3, 4	2,000pcs.
4 × 7	1,500pcs.
5, 6.3	1,000pcs.
6.3 × 7.7, 6.3 × 8, 8 × 8	900pcs.
6.3 × 8.7	800pcs.
6.3 × 10	600pcs.
8 × 5.4, 8 × 6.2, 8 × 7	1,000pcs.
8 × 10, 8 × 10.5, 10 × 7.7, 10 × 8, 10 × 10, 10 × 10.5	500pcs.
8 × 12, 10 × 12.7, 10 × 13.5	400pcs.
12.5 × 13.5	200pcs.
12.5 × 16	150pcs.
12.5 × 21, 16 × 16.5, 18 × 16.5	125pcs.
16 × 21.5, 18 × 21.5	75pcs.

■ Chip tray (for UCD, UCX, UCZ, UUG, UUG, UUN, UUE & UBC)

(mm)



Size (φD × L)	T ₁	T ₂
12.5 × 13.5, 12.5 × 16	22	18
16 × 16.5, 18 × 16.5	22.5	18.5
12.5 × 21	28	23
16 × 21.5, 18 × 21.5	28.5	23.5

Package quantity

φD	Q'ty / tray
12.5	70pcs.
16	60pcs.
18	40pcs.

FPCAP Packing Unit Quantity for Reel (SMD Type)

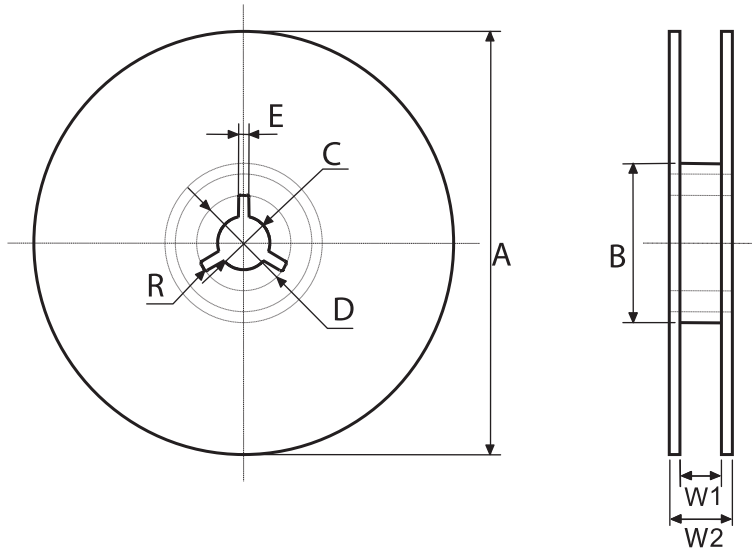
RPS, RPA, RHS, RHA, RSS, RSA, RSB, RFS, RFA, RSL

Components are packaged as per following packing unit.

● Packing Quantity (Reel)

Case Size φD×L (mm)	Packing Unit (pcs)
φ4×5.2	2,000
φ5×5.7	1,000
φ6.3×4.2	1,000
φ6.3×5.7	1,000
φ6.3×7.7	900
φ8×6.7	1,000
φ8×7.7	900
φ8×8.7	500
φ8×11.7	500
φ10×7.7	500
φ10×12.4	400

Note : Please inquire for FPCAP by Packing Unit as above.



[Unit : mm]

Size (dia)	A ± 2.0	B ± 1.0	C ± 0.5	D ± 1.0	E ± 0.5	W1 ± 1.0	W2 ± 1.0	R
φ4, φ5	380	80	13.0	21	2.0	13.4	17.4	1.0
φ6.3	380	80	13.0	21	2.0	17.4	21.4	1.0
φ8, φ10	380	80	13.0	21	2.0	25.4	29.4	1.0