



Chipsmall Limited consists of a professional team with an average of over 10 year of expertise in the distribution of electronic components. Based in Hongkong, we have already established firm and mutual-benefit business relationships with customers from,Europe,America and south Asia,supplying obsolete and hard-to-find components to meet their specific needs.

With the principle of "Quality Parts,Customers Priority,Honest Operation,and Considerate Service",our business mainly focus on the distribution of electronic components. Line cards we deal with include Microchip,ALPS,ROHM,Xilinx,Pulse,ON,Everlight and Freescale. Main products comprise IC,Modules,Potentiometer,IC Socket,Relay,Connector.Our parts cover such applications as commercial,industrial, and automotives areas.

We are looking forward to setting up business relationship with you and hope to provide you with the best service and solution. Let us make a better world for our industry!



## Contact us

Tel: +86-755-8981 8866 Fax: +86-755-8427 6832

Email & Skype: info@chipsmall.com Web: www.chipsmall.com

Address: A1208, Overseas Decoration Building, #122 Zhenhua RD., Futian, Shenzhen, China



## UDB

Bi-Polarized, For Speaker Network

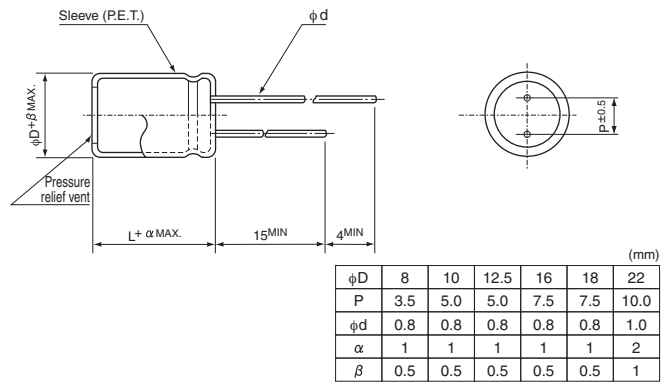


- Bi-polarized series.
- Designed specifically for crossover networks in Hi-Fi sound systems.
- Compliant to the RoHS directive (2011/65/EU).

### Specifications

Item	Performance Characteristics
Category Temperature Range	-40 to +85°C
Rated Voltage Range	50V
Rated Capacitance Tolerance	±20% at 1kHz
Leakage Current (After 5 minutes' application of rated voltage at 20°C)	Leakage current is not more than 0.03CV or 3 (µA), whichever is greater.
Tangent of loss angle (tan δ) (1 kHz) (5 kHz)	0.10 or less 0.15 or less
Allowable Continuous Current (8Ω - fc)	Value in table or less
Marking	Printed with white color letter on black sleeve.

### Radial Lead Type



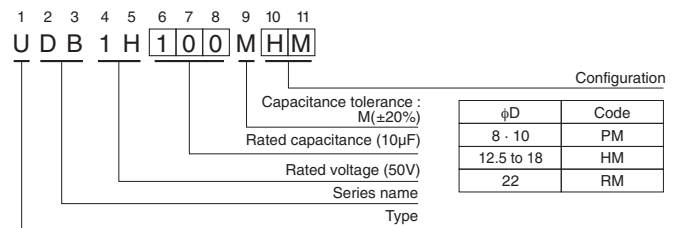
### Dimensions

φD × L (mm)

Cap. (µF)	Code	1H (50V)	Allowable Continuous Current (8Ω - fc)	
			Frequency (Hz)	Rated ripple (mA <sub>rms</sub> )
1	010	8 × 11.5	20k	205
1.5	1R5	8 × 11.5	13k	245
2.2	2R2	10 × 12.5	9k	320
3.3	3R3	10 × 16	6k	400
4.7	4R7	10 × 20	4.2k	480
6.8	6R8	12.5 × 20	2.9k	540
10	100	12.5 × 25	2k	600
15	150	12.5 × 25	1.3k	660
22	220	16 × 25	900	740
33	330	16 × 31.5	600	800
47	470	18 × 35.5	420	1020
68	680	22 × 40	290	1200

• Please refer to page 20 about the end seal configuration.

Type numbering system (Example : UDB 50V 10µF)



Please refer to page 20, 21, 22 about the formed or taped product spec.  
Please refer to page 4 for the minimum order quantity.