



Chipsmall Limited consists of a professional team with an average of over 10 year of expertise in the distribution of electronic components. Based in Hongkong, we have already established firm and mutual-benefit business relationships with customers from,Europe,America and south Asia,supplying obsolete and hard-to-find components to meet their specific needs.

With the principle of "Quality Parts,Customers Priority,Honest Operation,and Considerate Service",our business mainly focus on the distribution of electronic components. Line cards we deal with include Microchip,ALPS,ROHM,Xilinx,Pulse,ON,Everlight and Freescale. Main products comprise IC,Modules,Potentiometer,IC Socket,Relay,Connector.Our parts cover such applications as commercial,industrial, and automotives areas.

We are looking forward to setting up business relationship with you and hope to provide you with the best service and solution. Let us make a better world for our industry!



Contact us

Tel: +86-755-8981 8866 Fax: +86-755-8427 6832

Email & Skype: info@chipsmall.com Web: www.chipsmall.com

Address: A1208, Overseas Decoration Building, #122 Zhenhua RD., Futian, Shenzhen, China





UE10-4XT2D2

UE10-4XT

SAFETY RELAYS

SICK
Sensor Intelligence.



Illustration may differ



Ordering information

| Type | Part no. |
|-------------|----------|
| UE10-4XT2D2 | 6024919 |

Other models and accessories → www.sick.com/UE10-4XT

Detailed technical data

Safety-related parameters

| | |
|---|--|
| Safety integrity level | SIL3 (IEC 61508) ¹⁾ SILCL3 (EN 62061) ¹⁾ |
| Category | Category 4 (EN ISO 13849) ¹⁾ |
| Performance level | PL e (EN ISO 13849) ¹⁾ |
| B_{10d} parameter | 2.5 x 10 ⁶ switching cycles (AC-15, 230 V, I = 1.5 A) 6 x 10 ⁶ switching cycles (AC-15, 230 V, I = 0.75 A) 2 x 10 ⁶ switching cycles (DC-13, 24 V, I = 2.5 A) 10 x 10 ⁶ switching cycles (DC-13, 24 V, I = 0.6 A) |
| PFH_D (mean probability of a dangerous failure per hour) | 2.47 x 10 ⁻⁸ (EN ISO 13849) |
| T_M (mission time) | 20 years (EN ISO 13849) |

¹⁾ If the feedback current path Y1 - Y2 (external device monitoring) is monitored using an appropriate main unit.

Interfaces

| | |
|--|------------------------|
| Connection type | Fixed screw terminals |
| Number of enable current (N/O) contacts | 4, relevant for safety |

Electrical data

Operating data

| | |
|-------------------------------------|--|
| Voltage supply | A1, A2 |
| Output circuit > 25 V AC / 60 V DC | PELV |
| Output circuit ≤ 25 V AC / 60 V DC | PELV or SELV |
| Supply voltage V_S | A1, A2 |
| | 24 V AC/DC (20.4 V AC/DC ... 26.4 V AC/DC) |
| Residual ripple | (≤ 2.4 V _{pp}) ¹⁾ |

¹⁾ In DC operation, within the limits of V_S.

| | |
|---|----------------------------------|
| Power consumption | 2.7 VA (AC) 1.5 W |
| Overvoltage category | III (see operating instructions) |
| Rated insulation voltage U_i | 300 V AC |
| Rated impulse withstand voltage U_{imp} | 4 kV |
| Test voltage | 2 kV (50 Hz) (EN 60439-1) |

¹⁾ In DC operation, within the limits of V_S .

Electrical output circuits: 13/14, 23/24, 33/34, 43/44, 51/52, 61/62, Y1/Y2

| | |
|--|---|
| Response time | (≤ 40 ms) ¹⁾ |
| Number of enable current (N/O) contacts | 4, relevant for safety |
| Contactor monitoring contact | 10 V DC ... 24 V DC |
| Number of signalling current (N/C) contacts | 2, not safety-relevant |
| Number of contactor monitoring (N/C) contacts | 1, external device monitoring (EDM) |
| Contact type | Positively driven |
| Contact material | Silver alloy, gold flashed |
| Switching voltage | |
| Enable current contact | 10 V AC ... 230 V AC 10 V DC ... 300 V DC |
| Signalling current contact | 10 V DC, 10 V DC ... 230 V AC, 300 V DC |
| Current-carrying capacity per OSSD | |
| Enable current contact | 10 mA ... 6 A |
| Signalling current contact | 10 mA ... 2 A |
| Contactor monitoring contact | 10 mA ... 100 mA |
| Total current | ≤ 12 A |
| Usage category | AC-15/DC-13 (EN 60947-5-1) |
| Rated operating current (voltage) | 3 A (230 V AC) 3600 switching cycles/h 4 A (24 V DC) 360 switching cycles/h 2.5 A (24 V DC) 3600 switching cycles/h |
| Switching frequency | ≤ 3600 /h |
| Mechanical life (relay contacts) | 1×10^7 switching cycles |
| Electrical life (relay contacts) | 2×10^6 switching cycles |

¹⁾ K1/K2.

Mechanical data

| | |
|-------------------------------|----------------------------|
| Dimensions (W x H x D) | 22.5 mm x 114 mm x 96.5 mm |
| Weight | 0.2 kg |

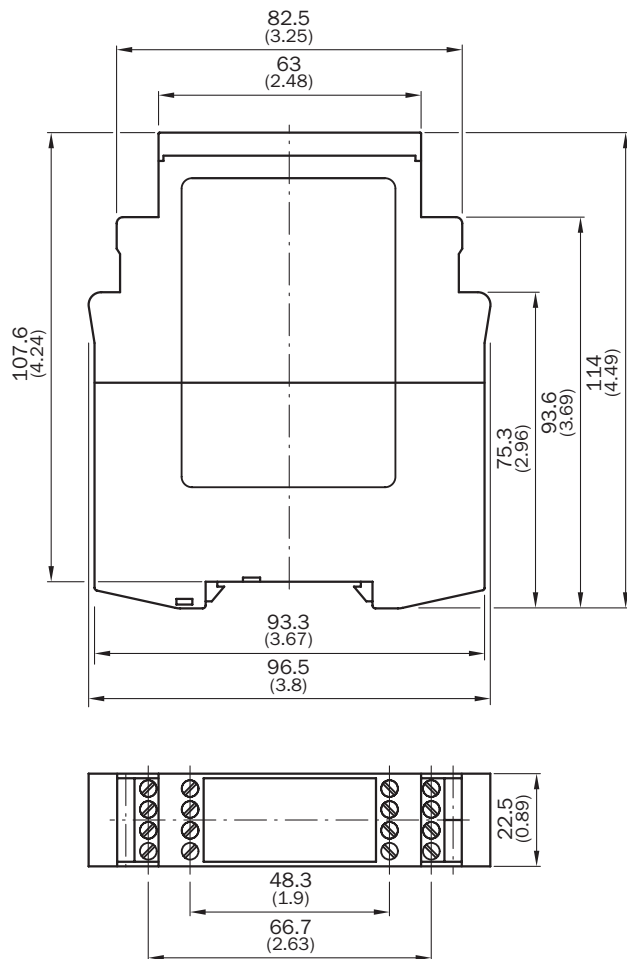
Classifications

| | |
|---------------------|----------|
| ECl@ss 5.0 | 27371990 |
| ECl@ss 5.1.4 | 27371990 |
| ECl@ss 6.0 | 27371819 |
| ECl@ss 6.2 | 27371819 |
| ECl@ss 7.0 | 27371819 |

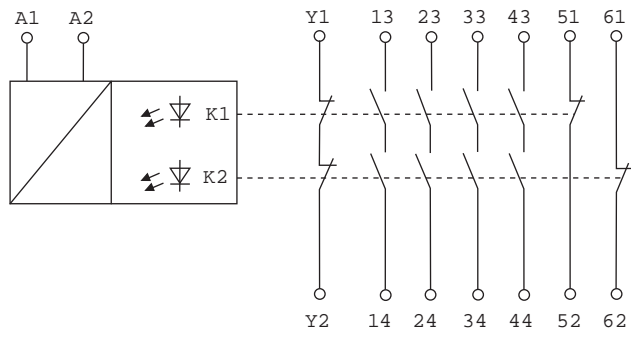
| | |
|-----------------------|----------|
| ECl@ss 8.0 | 27371819 |
| ECl@ss 8.1 | 27371819 |
| ECl@ss 9.0 | 27371819 |
| ETIM 5.0 | EC001449 |
| ETIM 6.0 | EC001449 |
| UNSPSC 16.0901 | 41113704 |

Dimensional drawing (Dimensions in mm (inch))

Safety relay



Connection diagram



SICK AT A GLANCE

SICK is one of the leading manufacturers of intelligent sensors and sensor solutions for industrial applications. A unique range of products and services creates the perfect basis for controlling processes securely and efficiently, protecting individuals from accidents and preventing damage to the environment.

We have extensive experience in a wide range of industries and understand their processes and requirements. With intelligent sensors, we can deliver exactly what our customers need. In application centers in Europe, Asia and North America, system solutions are tested and optimized in accordance with customer specifications. All this makes us a reliable supplier and development partner.

Comprehensive services complete our offering: SICK LifeTime Services provide support throughout the machine life cycle and ensure safety and productivity.

For us, that is “Sensor Intelligence.”

WORLDWIDE PRESENCE:

Contacts and other locations www.sick.com