



Chipsmall Limited consists of a professional team with an average of over 10 year of expertise in the distribution of electronic components. Based in Hongkong, we have already established firm and mutual-benefit business relationships with customers from,Europe,America and south Asia,supplying obsolete and hard-to-find components to meet their specific needs.

With the principle of “Quality Parts,Customers Priority,Honest Operation,and Considerate Service”,our business mainly focus on the distribution of electronic components. Line cards we deal with include Microchip,ALPS,ROHM,Xilinx,Pulse,ON,Everlight and Freescale. Main products comprise IC,Modules,Potentiometer,IC Socket,Relay,Connector.Our parts cover such applications as commercial,industrial, and automotives areas.

We are looking forward to setting up business relationship with you and hope to provide you with the best service and solution. Let us make a better world for our industry!



Contact us

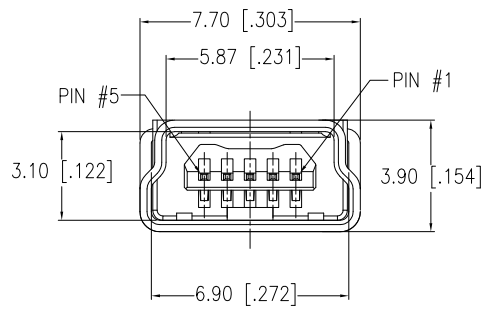
Tel: +86-755-8981 8866 Fax: +86-755-8427 6832

Email & Skype: info@chipsmall.com Web: www.chipsmall.com

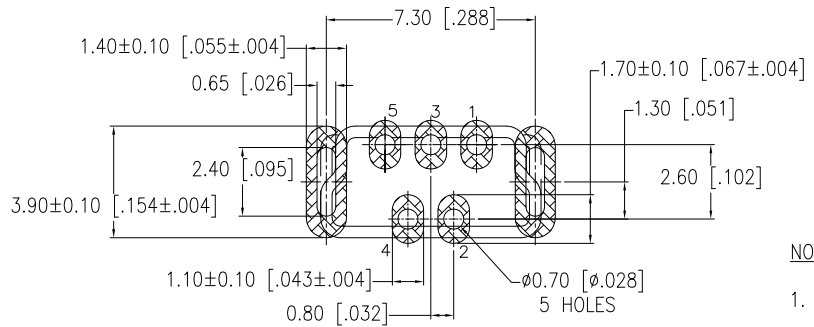
Address: A1208, Overseas Decoration Building, #122 Zhenhua RD., Futian, Shenzhen, China



REVISIONS				
SYM	ZONE	ECN, ERN NO.	DATE	APPRD.
B		PRODUCT DWG (EAR 14195)	JUN07/13	K.L.
C		PRODUCT DWG (EAR 14206)	JUN19/13	K.L.



FRONT VIEW



RECOMMENDED P.C.B. LAYOUT
(COMPONENT SIDE OF BOARD)
TOLERANCE: ±0.05mm

NOTES:

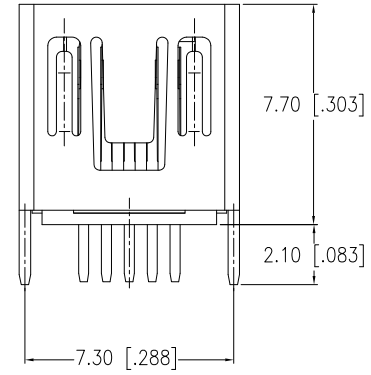
- MATERIALS:**

HOUSING: HIGH TEMPERATURE PLASTIC, OR PBT
FLAMMABILITY UL94V-0.

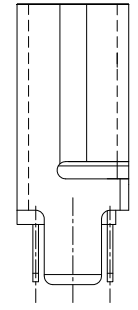
CONTACTS: COPPER ALLOY,
PLATING: GOLD ON MATING AREA (SEE AMPHENOL PART NO. OPTION).
MATTE TIN OR GOLD FLASH ON CONTACT TAILS.
NICKEL UNDERPLATE.

SHELL: COPPER ALLOY,
NICKEL.

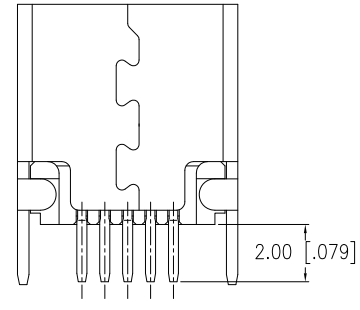
2. OPERATING TEMPERATURE: -40°C TO +105°C



TOP VIEW



SIDE VIEW



BOTTOM VIEW

AMPHENOL PART NO.: UE25 - BEX5 - 10X

SERIES _____
UE25=MINI USB RECEPTACLE

TYPE _____
B=SERIES B

STYLE _____
E=TOP ENTRY

CONTACT PLATING _____
5=30µ" [0.76 MICRONS] GOLD PLATING ON CONTACT MATING AREA
7=GOLD FLASH OVER NICKEL ON CONTACT MATING AREA.

MODIFIER
0=PBT
H=HIGH TEMP MATERIAL(<260°C)

SHIELD OPTIONS
0=WITHOUT REAR SHELL

COLOUR
1=BLACK

NUMBER OF CONTACTS
5=5 CONTACTS

UNLESS OTHERWISE SPECIFIED TOLERANCES ARE +0.30mm	DRAWN	HUILAN WANG	DATE	APR 25, 08
	DESIGNED	MT CHEN	DATE	APR 25, 08
	CHECKED	L.CHAN	DATE	APR 25, 08
	I. E. APPRD.			
	Q. A. APPRD.			
	DWG. APPRD.	K.LAMBIE	TBD	
	ENG. REL. NO.			
REF.				
DIMENSIONS ARE IN	MM [INCHES]	CODE ID. NO.	03554	

Amphenol Canada Corp.			
TITLE UNIVERSAL SERIAL BUS MINI-B RECEPTACLE, VERTICAL PCB TAIL, ROHS COMPLIANT			
DWG	DRAWING NO.	REV.	
C	P-UE25-BEX5-10X	C	
SCALE	3/1	WT.	-----
SURF.	-----	SHEET	1 OF 1

THIS DOCUMENT CONTAINS PROPRIETARY INFORMATION AND SUCH INFORMATION MAY NOT BE DISCLOSED TO OTHERS FOR ANY PURPOSE OR USED FOR MANUFACTURING PURPOSES WITHOUT WRITTEN PERMISSION FROM AMPHENOL CANADA CORP.