



Chipsmall Limited consists of a professional team with an average of over 10 year of expertise in the distribution of electronic components. Based in Hongkong, we have already established firm and mutual-benefit business relationships with customers from,Europe,America and south Asia,supplying obsolete and hard-to-find components to meet their specific needs.

With the principle of “Quality Parts,Customers Priority,Honest Operation,and Considerate Service”,our business mainly focus on the distribution of electronic components. Line cards we deal with include Microchip,ALPS,ROHM,Xilinx,Pulse,ON,Everlight and Freescale. Main products comprise IC,Modules,Potentiometer,IC Socket,Relay,Connector.Our parts cover such applications as commercial,industrial, and automotives areas.

We are looking forward to setting up business relationship with you and hope to provide you with the best service and solution. Let us make a better world for our industry!



Contact us

Tel: +86-755-8981 8866 Fax: +86-755-8427 6832

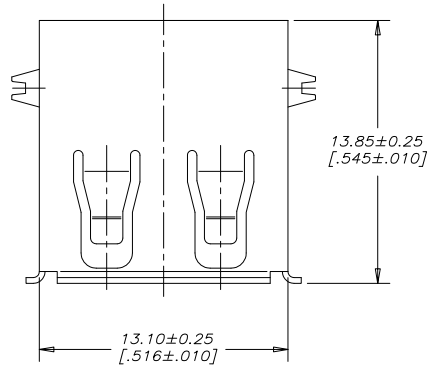
Email & Skype: info@chipsmall.com Web: www.chipsmall.com

Address: A1208, Overseas Decoration Building, #122 Zhenhua RD., Futian, Shenzhen, China



REVISIONS			
REV	DESCRIPTION, ECN, EAR NO.	DATE	APP'D
E	PRODUCT DRAWING (EAR14178)	OCT16/15	K.L.

TOP VIEW



AMPHENOL PART NUMBER: U E 2 7 - A C X 4 - X 0 X

SERIES
 UE27 = USB 2.0 RECEPTACLE, RoHS COMPLIANT

TYPE
 A = SERIES A

STYLE
 C = RIGHT ANGLE PCB

CONTACT PLATING OPTION
 5 = 0.76 MICRONS [30µin] MIN. GOLD OVER 1.27 MICRONS [50µin] MIN. NICKEL ON CONTACT MATING AREA.
 2.54 MICRONS [100µin] TIN PLATING ON CONTACT TAILS.
 7 = GOLD FLASH OVER 1.27 MICRONS [50µin] MINIMUM NICKEL ON CONTACT MATING AREA.
 2.54 MICRONS [100µin] TIN PLATING ON CONTACT TAILS.

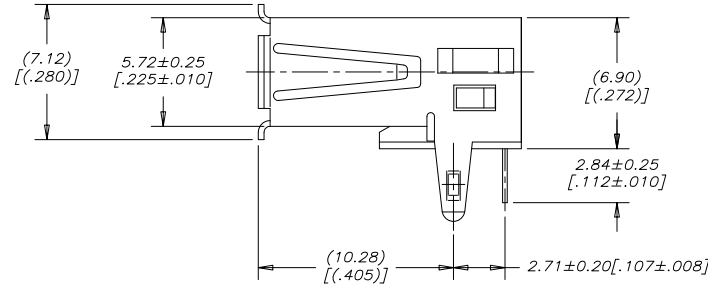
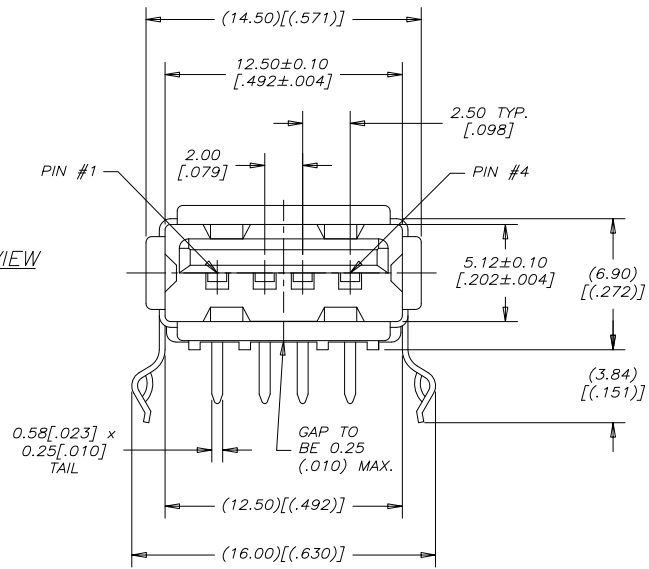
MODIFIER
 0 = PBT HOUSING
 H = HIGH TEMPERATURE HOUSING (MAXIMUM TEMPERATURE RATING 260°C FOR 10s)

SHIELDING STYLE
 0 = NO REAR SHIELD

COLOUR
 1 = BLACK
 2 = BEIGE (AVAILABLE FOR PBT HOUSING ONLY)

NUMBER OF CONTACTS
 4 = 4 CONTACTS

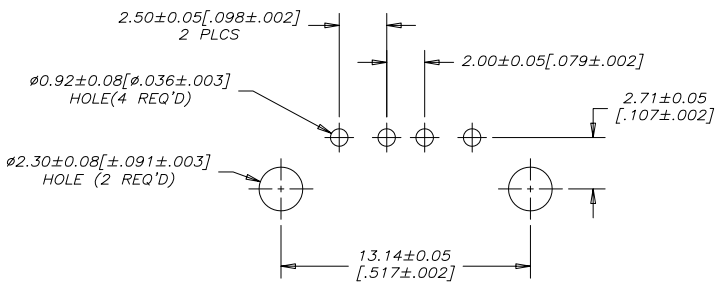
FRONT VIEW



SIDE VIEW

NOTES:

- ALL PARTS ARE RoHS COMPLIANT PER EU DIRECTIVE 2011/65/EU AND AMENDMENTS
- HOUSING: ENGINEERING THERMOPLASTIC, FLAMMABILITY RATING UL94V-0., SEE PART NUMBER ORDERING CODE FOR OPTIONS.
- CONTACTS: COPPER ALLOY. CONTACT PLATING: SEE PART NUMBER ORDERING CODE FOR OPTIONS.
- SHELL: COPPER ALLOY. PLATING: NICKEL OVER COPPER UNDERPLATE.
- OPERATING TEMPERATURE: -40°C TO +85°C



RECOMMENDED PC BOARD LAYOUT
 COMPONENT SIDE OF BOARD



UNLESS SPECIFIED OTHERWISE	DRAWN CHIGOW XU	05/12/05
PRIMARY UNITS MILLIMETERS	CHECKED PAUL WANG	05/12/05
SECONDARY INCHES	M.E. APP'D	
REFERENCE IN PARENTHESES	Q.A. APP'D	
GENERAL TOLERANCES	DWG APP'D	
1 DECIMAL PLACE	ENG. REL. NO. EAR 12884	
2 DECIMAL PLACES ±0.25	REF.	
3 DECIMAL PLACES	THIRD ANGLE PROJECTION	DO NOT SCALE DRAWING
ANGULAR DEGREES		

Amphenol Canada Corp.
 www.amphenolcanada.com

UE27 SERIES USB RECEPTACLE, SERIES A, RIGHT ANGLE PCB TAIL, RoHS COMPLIANT

DWG NO. P-UE27-ACX4-X0X

REV E

CODE ID NO. 03554 | DWG SIZE X | SCALE 5:1 | SHEET 1 OF 1