



Chipsmall Limited consists of a professional team with an average of over 10 year of expertise in the distribution of electronic components. Based in Hongkong, we have already established firm and mutual-benefit business relationships with customers from,Europe,America and south Asia,supplying obsolete and hard-to-find components to meet their specific needs.

With the principle of “Quality Parts,Customers Priority,Honest Operation,and Considerate Service”,our business mainly focus on the distribution of electronic components. Line cards we deal with include Microchip,ALPS,ROHM,Xilinx,Pulse,ON,Everlight and Freescale. Main products comprise IC,Modules,Potentiometer,IC Socket,Relay,Connector.Our parts cover such applications as commercial,industrial, and automotives areas.

We are looking forward to setting up business relationship with you and hope to provide you with the best service and solution. Let us make a better world for our industry!



Contact us

Tel: +86-755-8981 8866 Fax: +86-755-8427 6832

Email & Skype: info@chipsmall.com Web: www.chipsmall.com

Address: A1208, Overseas Decoration Building, #122 Zhenhua RD., Futian, Shenzhen, China



REVISIONS				
SYM	ZONE	ECN, ERN NO.	DATE	APPRD.
D		PRODUCT DWG (EAR 14178)	JAN27/16	K.L.

AMPHENOL PART NUMBER: U E 2 7 - A E X 4 - X 0 X

SERIES _____
UE27=RECEPTACLE

TYPE _____
A=SERIES A

STYLE _____
E=STRAIGHT PCB, VERTICAL MOUNT

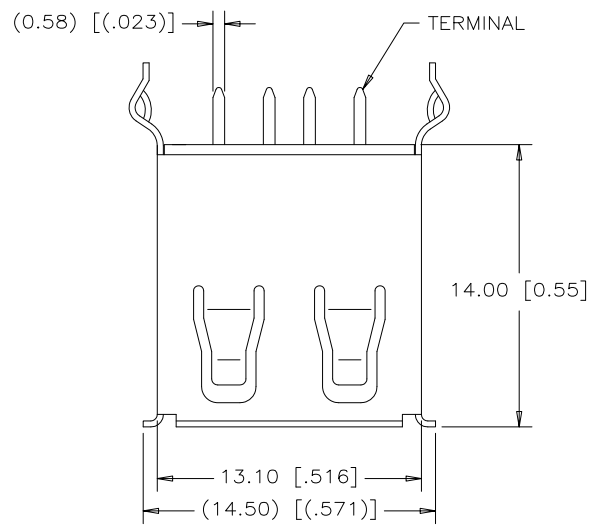
CONTACT PLATING OPTION _____
5=0.76µm [30µ"] GOLD OVER NICKEL ON CONTACT MATING AREA,
2.54µm [100µ"] TIN PLATING ON CONTACT TAILS.
7=GOLD FLASH OVER NICKEL ON CONTACT MATING AREA,
2.54µm [100µ"] TIN PLATING ON CONTACT TAILS.

MODIFIER
0=PBT HOUSING
H=HIGH TEMP HOUSING (MAXIMUM TEMPERATURE RATING: 260°C FOR 10s)

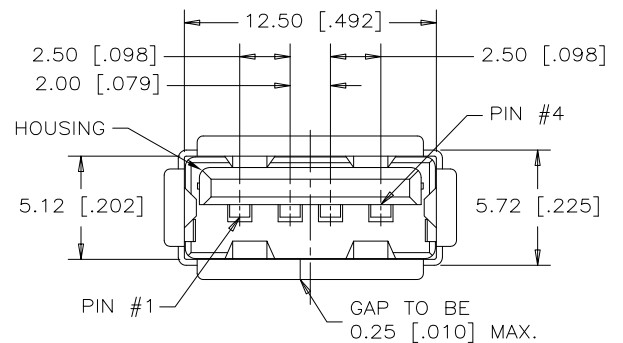
SHIELDING OPTION
0=STANDARD

COLOUR:
1=BLACK
2=BEIGE (AVAILABLE FOR PBT HOUSING ONLY)

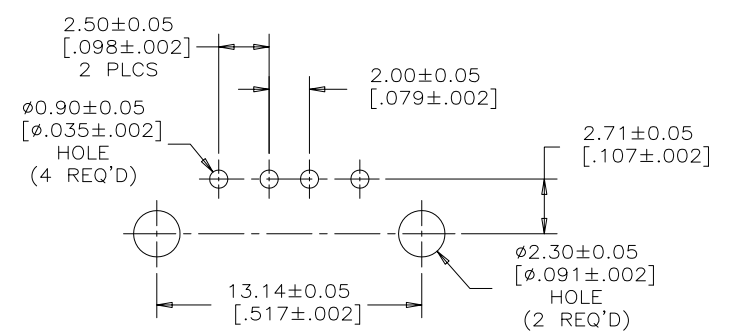
NUMBER OF CONTACTS
4=4 CONTACTS



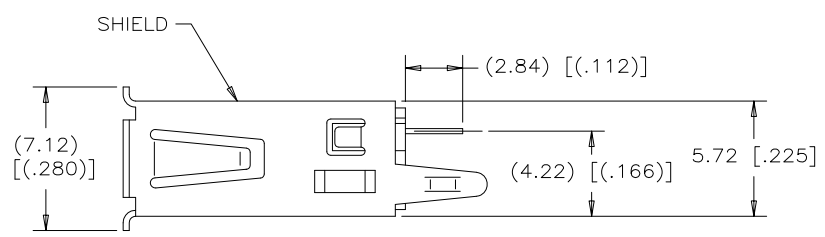
TOP VIEW



FRONT VIEW



RECOMMENDED P.C.B. LAYOUT COMPONENT SIDE OF BOARD



SIDE VIEW

NOTES:

- HOUSING: ENGINEERING THERMOPLASTIC, FLAMMABILITY UL94V-0, SEE ORDERING CODE FOR OPTIONS.
- CONTACTS: COPPER ALLOY, SEE ORDERING CODE FOR PLATING OPTIONS.
- SHIELD: COPPER ALLOY. PLATED NICKEL OVER COPPER
- CURRENT RATING: 1.5A @ 250V AC
- CONTACT RESISTANCE: 30 MILLIOHMS MAX.
- DIELECTRIC WITHSTANDING VOLTAGE: 500V AC
- MATING CYCLES: 1500 CYCLES
- OPERATING TEMPERATURE: -40°C TO +85°C

MATERIAL	DRAWN	Chigow	DATE	DEC05/05
	DESIGNED			
FINISH	CHECKED	PAULW	DATE	DEC05/05
	I. E. APPRD.			
	Q. A. APPRD.			
	DWG. APPRD.			
	ENG. REL. NO.			
	REF.			
	DIMENSIONS ARE IN	CODE ID. NO.		
	mm [INCHES]	03554		

Amphenol Canada Corp.				
TITLE UNIVERSAL SERIAL BUS (SERIES A) RECEPTACLE, STRAIGHT PCB TAIL, VERTICAL MOUNT-RoHS COMPLIANT				
DWG	DRAWING NO.	P-UE27-AEX4-X0X		REV.
C				D
SCALE	5/1	WT.	SURF.	SHEET 1 OF 1

THIS DOCUMENT CONTAINS PROPRIETARY INFORMATION AND SUCH INFORMATION MAY NOT BE DISCLOSED TO OTHERS FOR ANY PURPOSE OR USED FOR MANUFACTURING PURPOSES WITHOUT WRITTEN PERMISSION FROM AMPHENOL CANADA CORP.